

BELL SYSTEM PRACTICES
Teletypewriter and Manual
Telegraph Station and P.B.X.
Installation and Maintenance

SECTION P30.702
Issue 1, March, 1938
AT&T Co. Standard

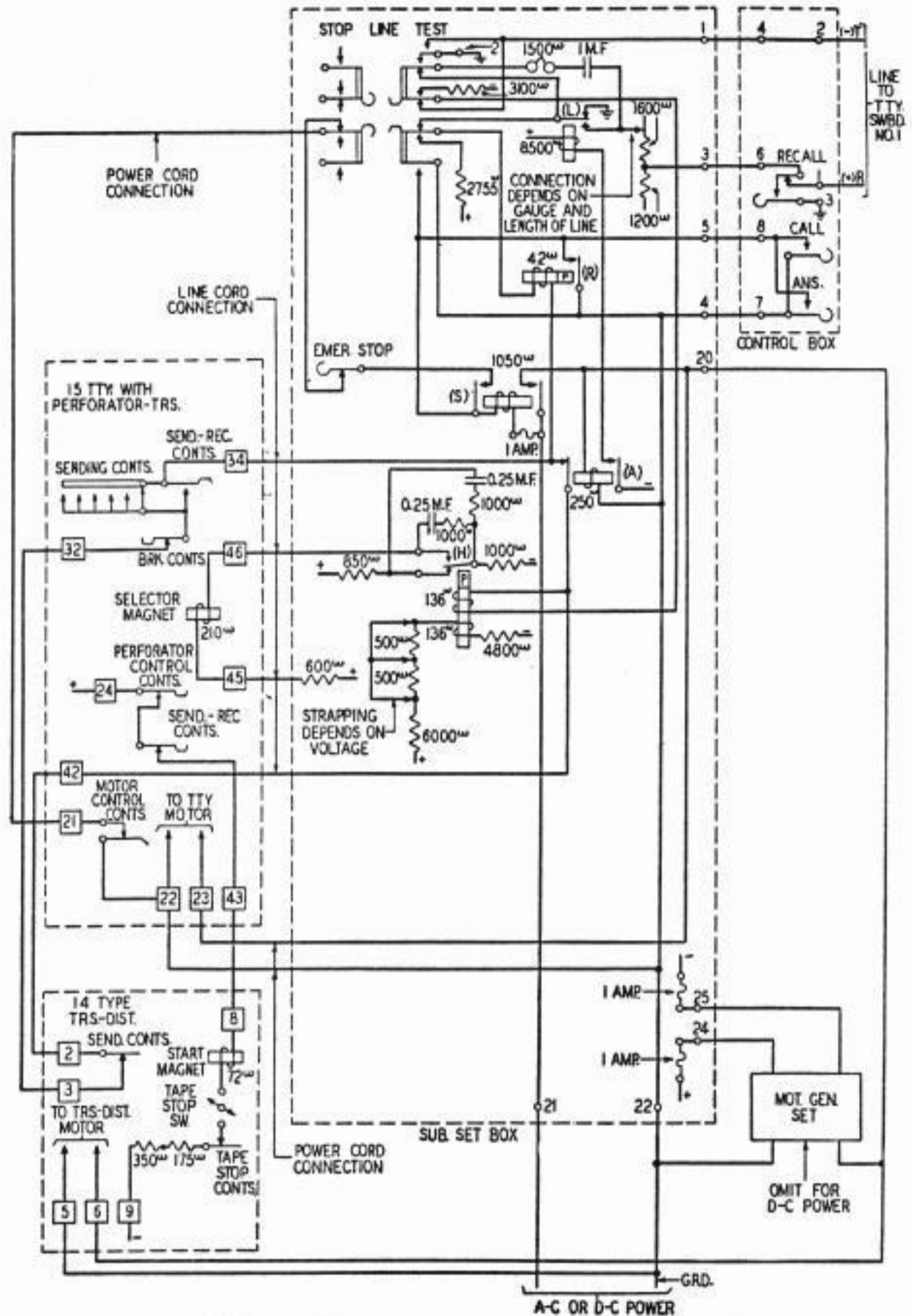


Fig. 1—TWX Stations—120B1 Subscriber Set.

P30.702

Page 1
 1 Page

TWX STATIONS
 120B1 SUB. SET