

**BELL SYSTEM PRACTICES**  
**Teletypewriter and Data Stations**

**SECTION P36.478**  
**Issue 3, February, 1960**  
**AT&TCo Standard**

# **INSTALLATION OF THE TP92784 SET OF PARTS TO SUPPRESS PRINTING AND SPACING AT THE END OF A LINE 15 TYPING UNIT**

## **1. GENERAL**

1.01 This section gives information for installing the TP92784 set of parts on the 15 typing unit to suppress typing and spacing at the end of a line.

1.02 This section is reissued to revise the list of parts which comprise the TP92784 end-of-line printing and spacing cutout mechanism, to expand the description of the purpose for which the mechanism was developed, and to revise the installation instructions. Changes are indicated by marginal arrows.

1.03 A machine equipped with this set of parts will not print or space beyond a point on the line for which the apparatus is adjusted. Such an arrangement is intended for service on a private line network. For example, it may be used for a service where it is desired to print a complete line at the sending station, but only a partial line at the receiving station. The right-hand portion of the line, which might contain matter of a confidential nature, such as prices, would then be left blank. By suppressing printing at the end of the line, this cutout mechanism also prevents damage to the platen which might occur from repeated typebar strokes.

1.04 By employing one of the following standard margin adjusting screws, the number of characters indicated below may be provided in a line of typing.

**Right-hand Margin  
Adjusting Screws**

**Characters per Line**

TP74739	} $\pm 1^*$
TP80458	
TP88745	

\*The tolerances are to allow for machine variations.

1.05 The TP92784 end-of-line printing and spacing cutout mechanism consists of the following parts:

- 1 — TP92789 Arm and latch bracket
- 1 — TP92785 Printing-bail latch
- 1 — TP92787 Eccentric bushing
- 1 — TP80342 Screw
- 1 — TP110437 Spring
- 1 — TP76277 Eccentric
- 1 — TP1161 Screw ←
- 1 — TP92790 Escapement-clutch stop
- 1 — TP125120 Shoulder-screw
- 1 — TP3598 Nut ←
- 1 — TP33038 Spring
- 3 — TP2191 Lockwashers

## 2. INSTALLATION

2.01 Remove the typebar carriage from the typing unit. Remove the end-of-line spacing cutout mechanism by removing the two screws, washers, and lockwashers which hold ← the mechanism to the rear crossbar.

2.02 When the mechanism is to be installed on a typing unit ↗ having a webbed printing bail casting, the casting must be worked over as shown in Fig. 1. If desired, a modified printing bail, TP92786, may be ordered separately. ↘

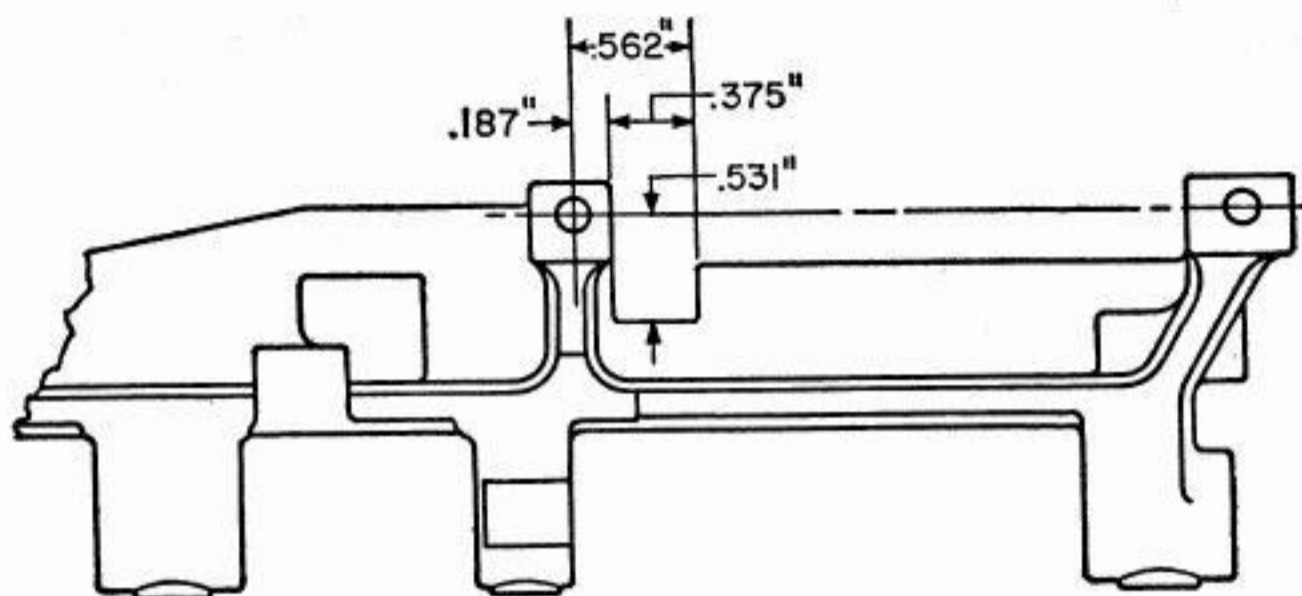


Fig. 1

2.03 Using the mounting screws, washers, lockwashers, and mounting holes formerly used for the spacing cutout mechanism, mount the new printing and spacing cutout mechanism.