

BELL SYSTEM PRACTICES
Teletypewriter and Manual
Telegraph Station and P.B.X.
Installation and Maintenance

SECTION P38.321
Issue 2, May, 1947
AT&T Co Standard

WIRING DIAGRAM
NO. 19 TELETYPEWRITER SET
TELETYPEWRITER AND PERFORATOR—
TRANSMITTER CIRCUIT

1. GENERAL

1.01 This section covers the wiring of the No. 15 perforator-transmitter associated with a No. 15 typing unit and a No. 15 base as employed in the No. 19 teletypewriter set. This is a typical circuit and for actual wiring refer to the wiring diagrams of the units.

1.02 On the No. 15 base the brown wire connecting the BREAK key to terminal 42 should be moved to terminal 32 if this has not already been done and terminals 32 and 42 should be strapped as shown in Fig. 1.

1.03 Fig. 1 is based on Drawing ED-70133-01, Issue 1.

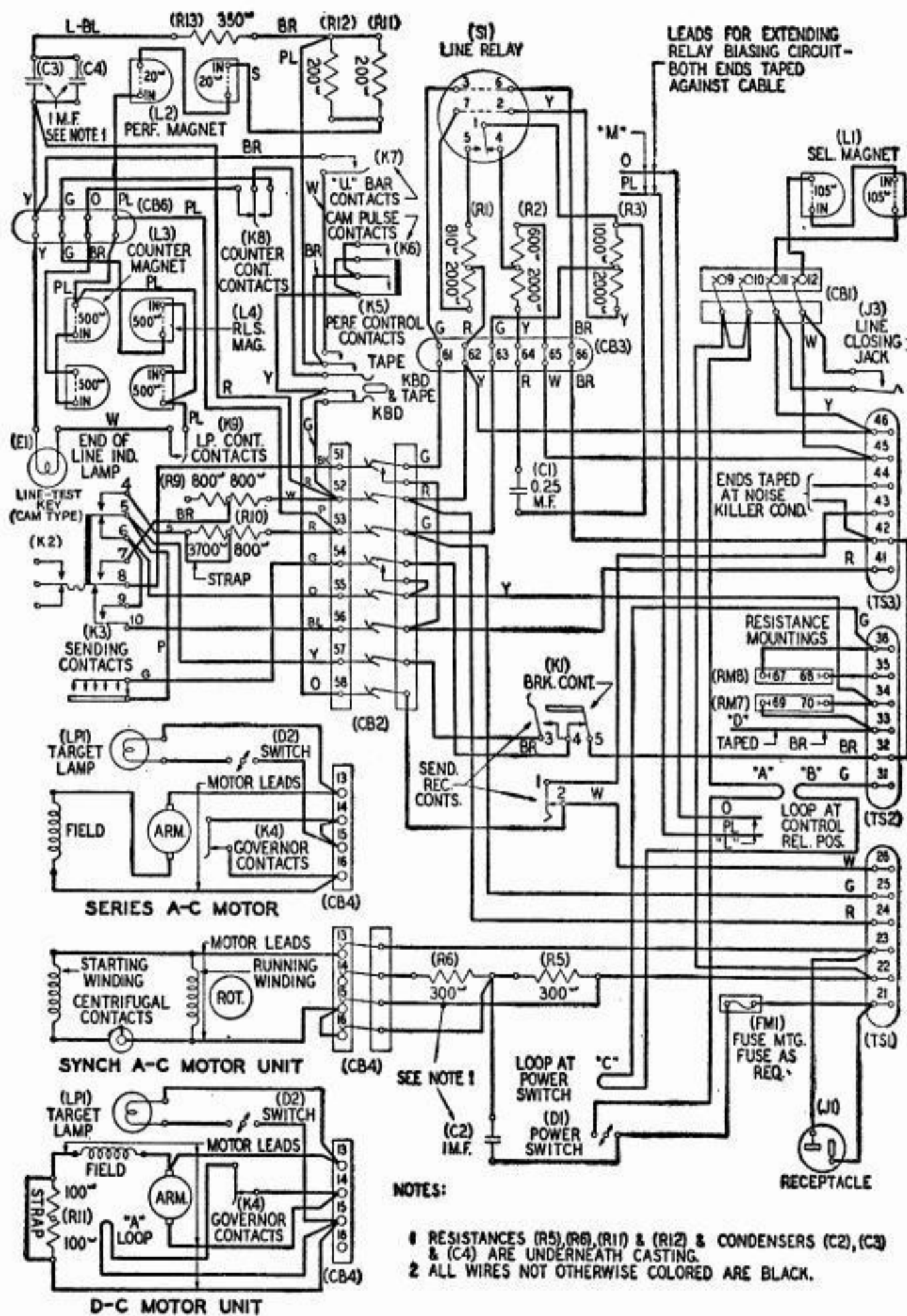


Fig. 1