

American Telephone and Telegraph Company

BELL SYSTEM PRACTICES
Teletypewriter and Manual
Telegraph Station and PBX
Installation and Maintenance

ADDENDUM P38.322
Issue C, 8-15-47
Long Lines Department
Dist. Class. 602.05AC

WIRING DIAGRAM

NO. 19 TELETYPEWRITER SET

PERFORATOR-TRANSMITTER CIRCUIT

1. GENERAL

1.00 This issue supersedes Issue B. This addendum is reissued to add Types J, K, L, R, S and T perforator-transmitters to the list of perforator-transmitters covered in Paragraph 1.01 (a) below, and to make other minor changes.

1.01 This addendum supplements Section P38.322 to provide:

(a) Information regarding a modification for the removal of the character counter and the replacement of the indicator lamp by an auxiliary lamp, of 15A, B, C, D, E, F, G, J, K, L, R, S and T perforator-transmitters when these arrangements are authorized by Private Line Service Orders.

(b) A wiring drawing of PEX-8 perforator-transmitters as employed by the United Press Associations. This is shown in Figure 5 of this addendum. (Figure 5 was reproduced from Drawing 21184-134.)

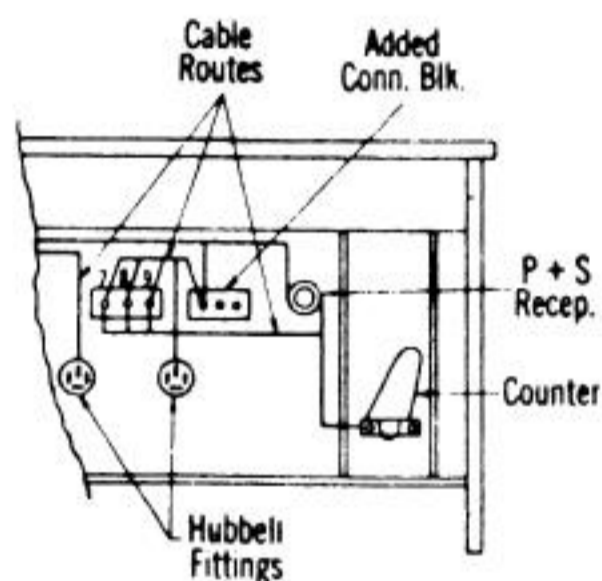
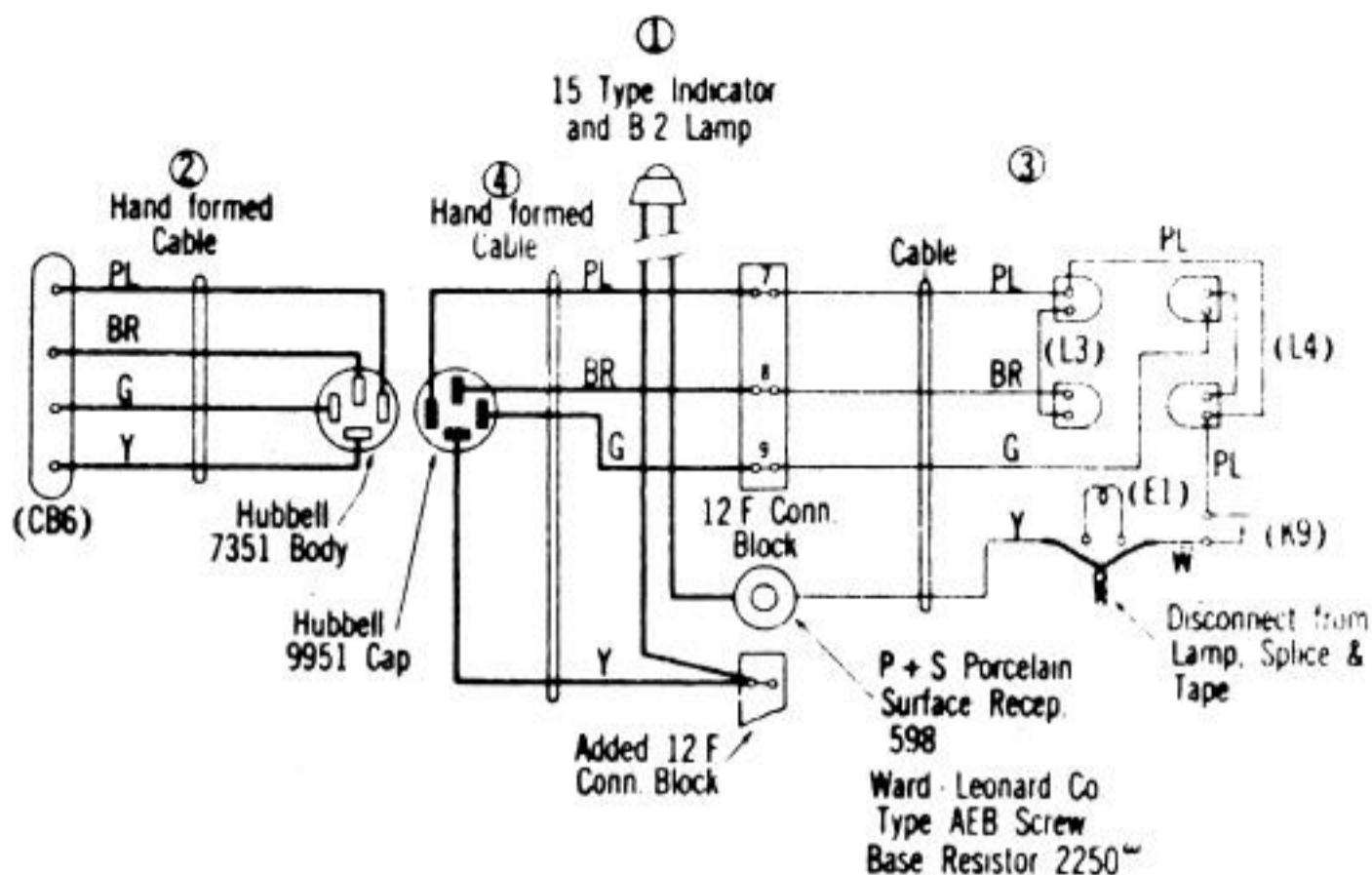
2. MATERIAL REQUIREMENTS FOR MODIFICATION PER PARAGRAPH 1.01 (a)

2.01 The material required to modify the perforator-transmitter in order to relocate the character counter is listed under Figure 4 of this addendum. (Figure 4 was reproduced from Drawing 20786-131.)

3. MODIFICATION FOR FEATURE PER PARAGRAPH 1.01 (a)

3.01 Refer to Figure 4 of this addendum. This figure shows the equipment and wiring changes required between connecting block (CB6) and the character counter and indicator lamp when the special features covered by Paragraph 1.01 (a) of this addendum are provided.

3.02 Figure 4 of this addendum also indicates a suggested relocation of the counter to another location in connection with the wiring changes referred to in Paragraph 3.01.



Mounting of Counter and Equipment

FIG. A

NOTES

- ① Locate in position desired following colors available
White - 15 A 3
Ruby - 15 B 3
Green - 15 C 3
- ② Place in same position as original Cable. This shall be approximately 6 feet long
- ③ End of Line Indicator and cabling removed intact from Perforator-Transmitter and relocated as in Fig A
- ④ All wire not otherwise specified to be 22 Ga. inside telephone wire

MATERIAL

- 1 - Hubbell 7351 Body
- 1 - Hubbell 9951 Cap
- 1 - P + S Porcelain Surface Recept 598
- 1 - Ward Leonard Co Type AEB Screw Base Resistor (2250^Ω)
- 1 - 15 Type Indicator ①
- 1 - B 2 lamp
- 1 - 12 F Conn Block

FIG. 4

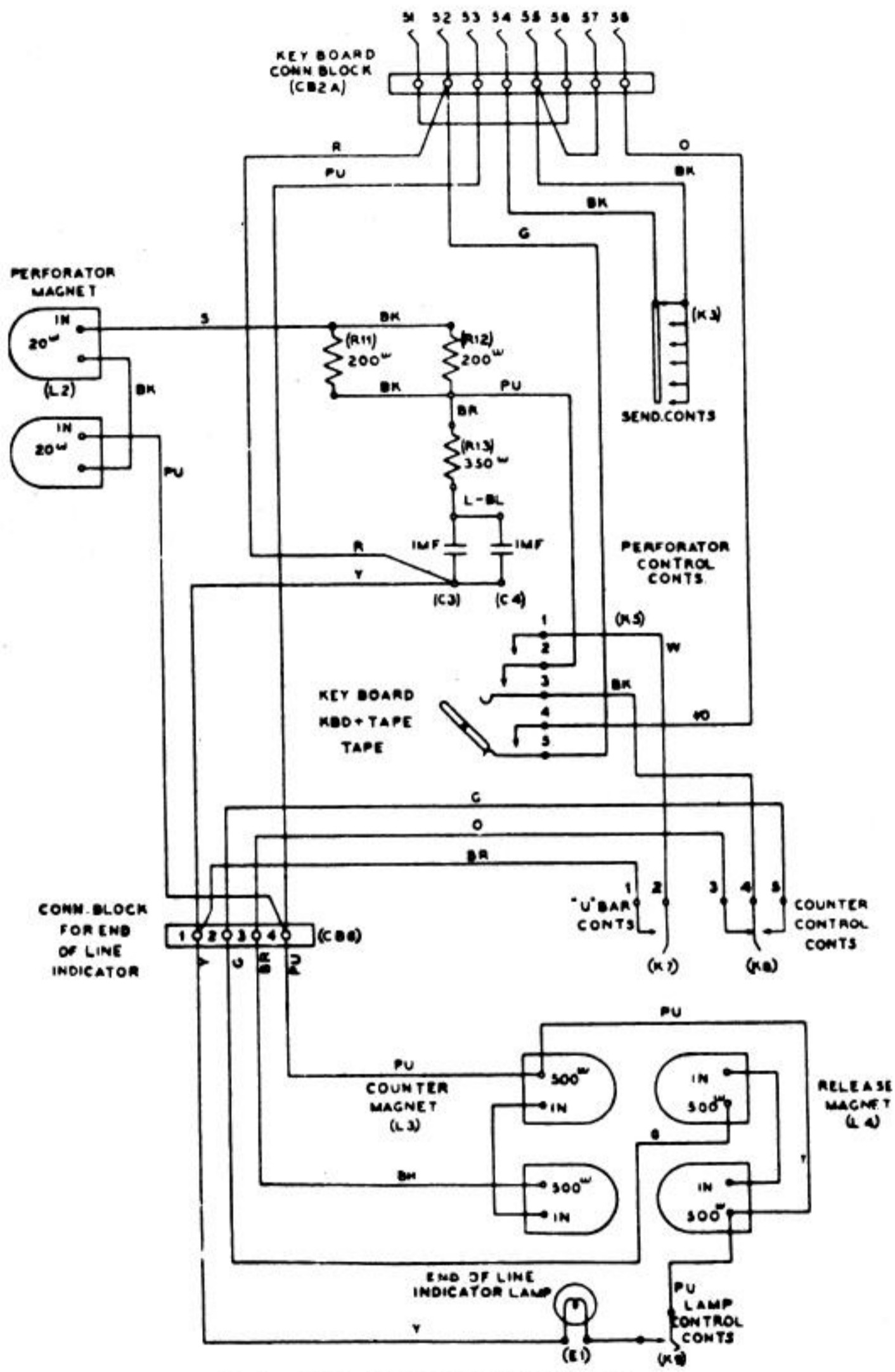


FIG. 5 - PE 4-B PERFORATOR-TRANSMITTER
AS MODIFIED BY CUSTOMER

BELL SYSTEM PRACTICES
Teletypewriter and Manual
Telegraph Station and P.B.X.
Installation and Maintenance

SECTION P38.322
Issue 4, August, 1947
AT&T Co Standard

WIRING DIAGRAM

NO. 19 TYPE TELETYPEWRITER SET PERFORATOR-TRANSMITTER CIRCUIT

1. GENERAL

1.01 This section covers the wiring of No. 15 type perforator-transmitters as they are furnished from the factory. It is reissued to add Fig. 4.

1.02 For operation on .060 ampere line current, the 3700-ohm resistance in the perforator-transmitter should be strapped out.

1.03 Figs. 1 and 2 are based on Drawing ES-618992, Issue 5 and Figs. 3 and 4 are based on Drawing BR-116741, Issue 1.

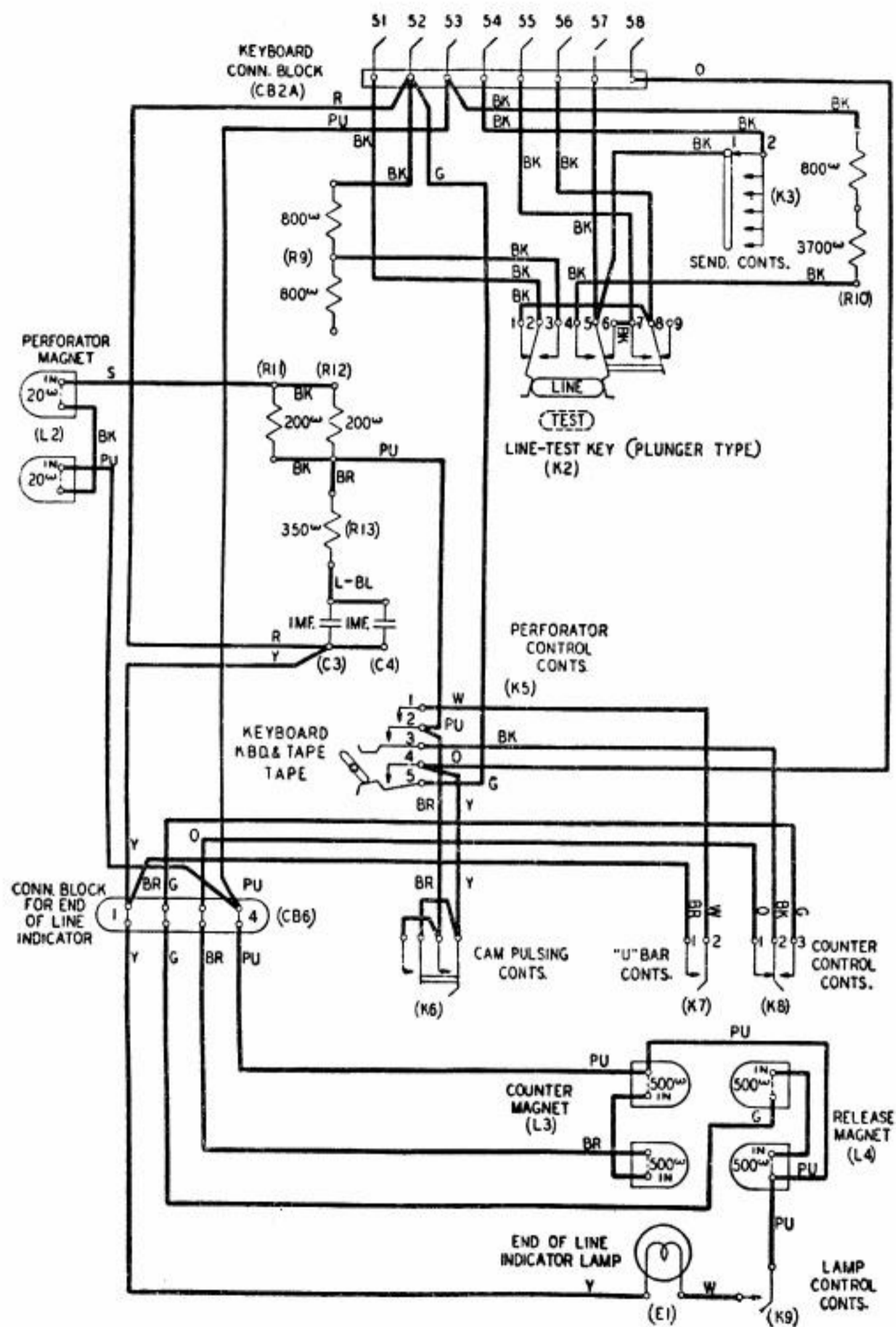


Fig. 1—No. 15 Perforator-Transmitter with End-of-Line Indicator on Right—Plunger Type Line-Test Key

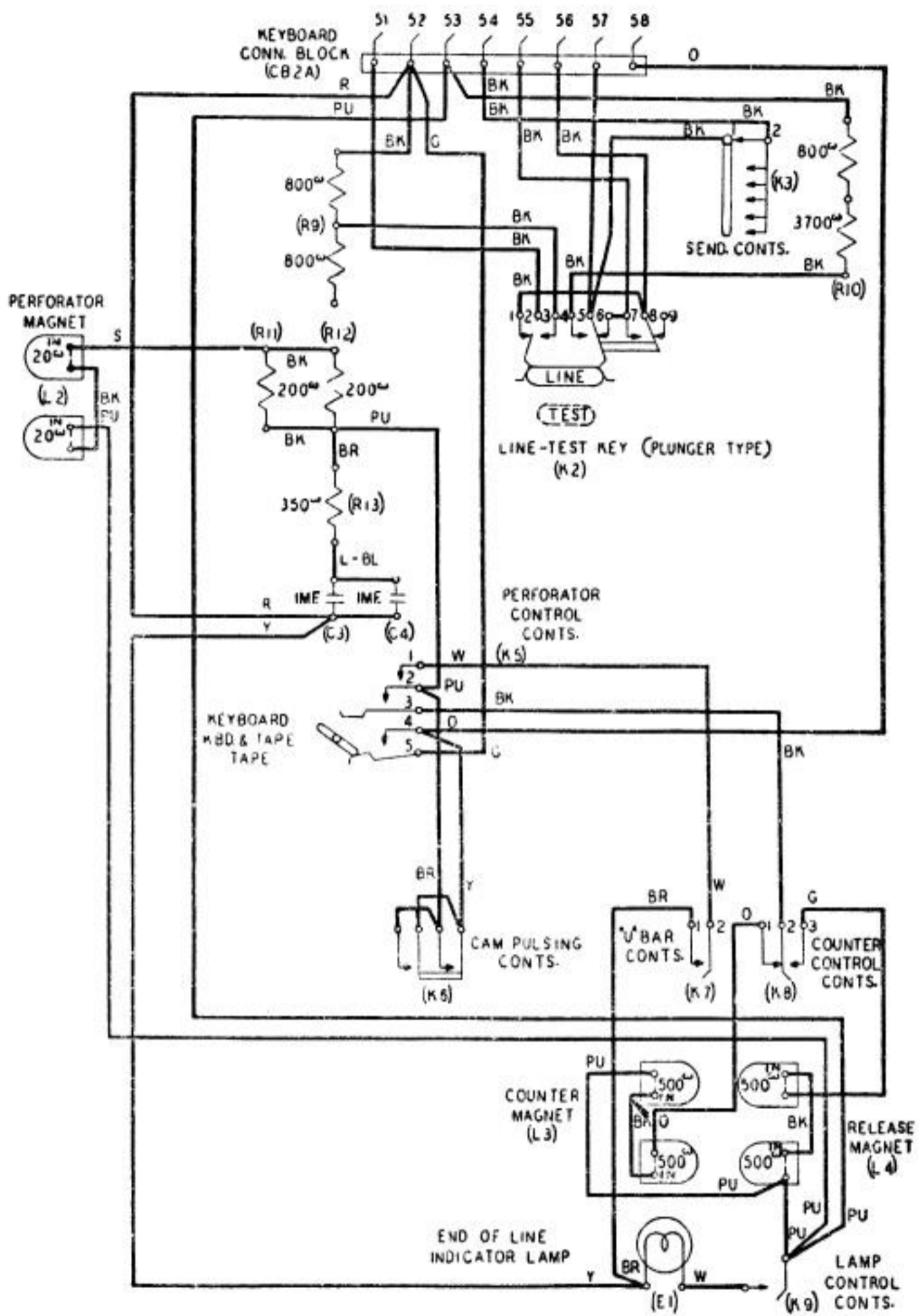


Fig. 2—No. 15 Perforator-Transmitter with End-of-Line Indicator on Left—Plunger Type Line-Test Key

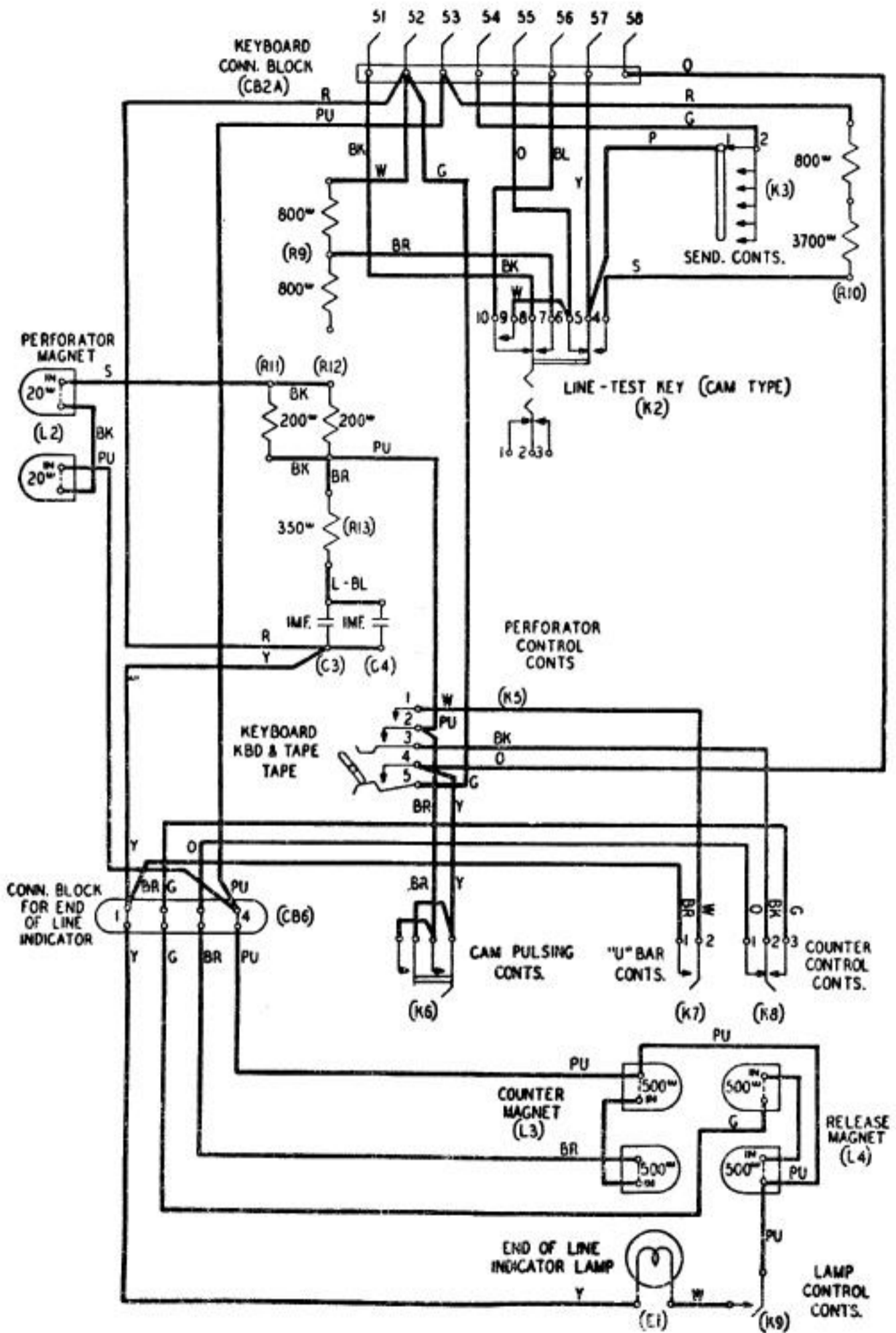


Fig. 3—No. 15 Perforator-Transmitter with End-of-Line Indicator on Right—Cam Type Line-Test Key

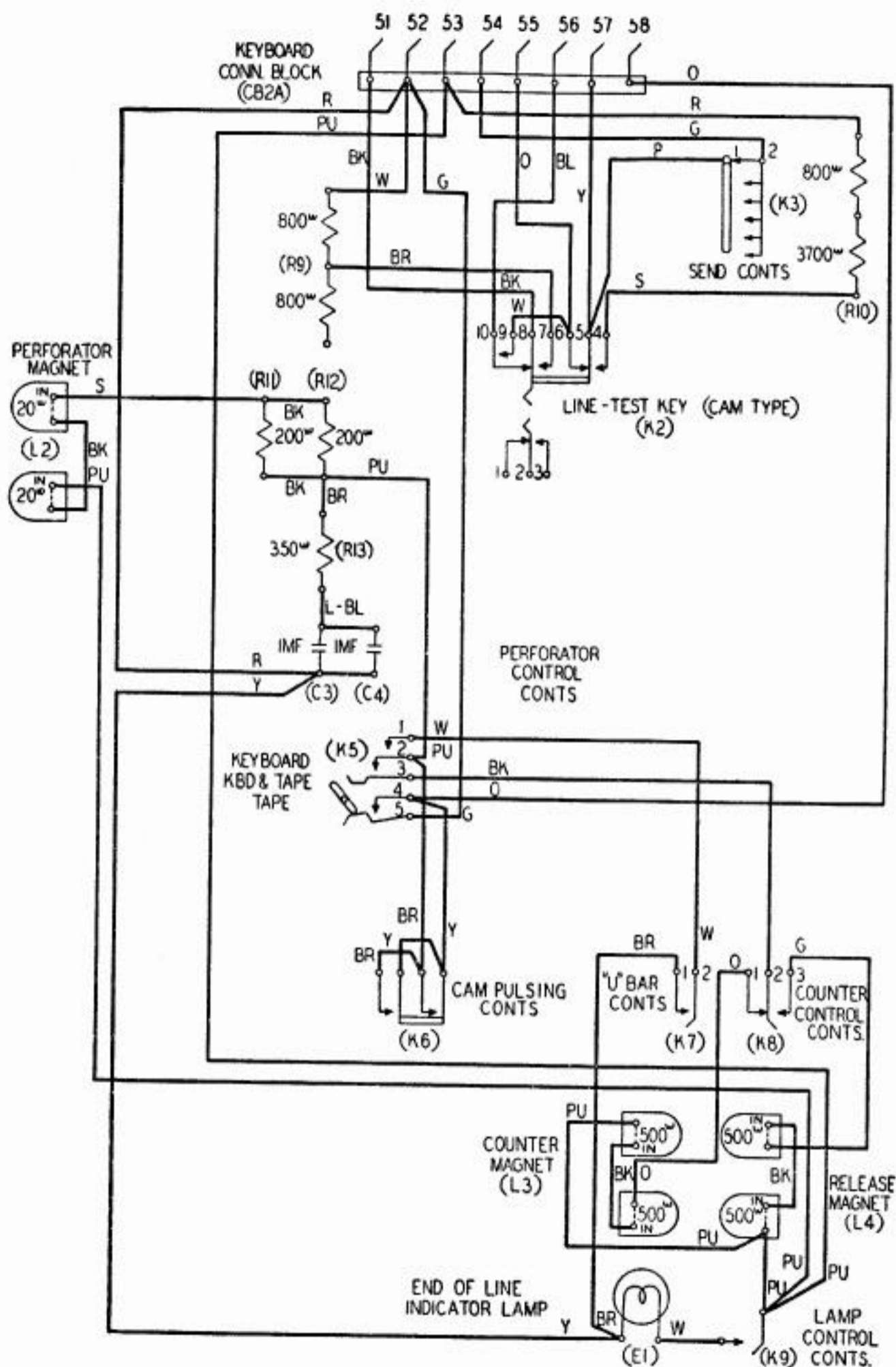


Fig. 4—No. 15 Perforator-Transmitter with End-of-Line Indicator on Left—Cam Type Line-Test Key