

BELL SYSTEM PRACTICES
Teletypewriter and Manual
Telegraph Station and P.B.X.
Installation and Maintenance

SECTION P39.631
Issue 2, February, 1951
AT&T Co Standard

TRANSMITTER DISTRIBUTOR

NO. 20 TYPE

REQUIREMENTS AND PROCEDURES

1. GENERAL

1.01 This section outlines the apparatus requirements and adjusting procedures for the maintenance of station teletypewriter transmitter distributors of the 20 type.

1.02 This section is reissued to include adjustments for the TP84136 tape stop switch assembly. Lubrication and cleaning are now covered in other sections.

2. REQUIREMENTS AND PROCEDURES

2.01 Transmitter Distributors of the 20 Type shall be adjusted in accordance with Section P35.631 covering Requirements and Procedures for 14 Type Station Transmitter Distributors, except as modified herein.

Note: 20 Type Transmitter Distributors are designed to transmit six unit code and are the same as 14 Type Transmitter Distributors except that they are equipped with six contact tongues and corresponding contact levers and tape pins. In addition, advanced feed holes are used.

2.02 When equipped with the TP84136 tape stop switch assembly, shown in Fig. 1, apply the adjustments given herein in place of the requirements given for tape stop switch mechanisms in P35.631.

2.03 The following are the adjustments for the TP84136 tape stop mechanism on 20 Type Transmitter Distributors:

(1) Remove contact cover.

(2) **Tight Tape Switch Contact Springs:** Bend the right-hand contact spring so that there is from .015" to .025" clearance between the fibre insulator and the spring bracket. Bend the left-hand contact spring so that there is from .015" to .020" space between the contacts.

**TRANSMITTER DIS-
TRIBUTOR
NO. 20 TYPE
REQUIRE-
MENTS AND
PROCEDURES**

- (3) **Contact Bracket Stop Eccentrics:** Adjust upper left eccentric so that when the contact bracket rests against eccentric, the part of the tape stop rod which rests on the tape is from $.750''$ ($3/4''$) to $1.250''$ ($1-1/4''$) below the tape level in the transmitter. Adjust upper right eccentric so that minimum travel of the contact bracket is obtained.
- (4) See that cable clamp holds cable firmly in place with a loop in each wire large enough to allow free movement of the contact bracket.
- (5) Replace contact cover.

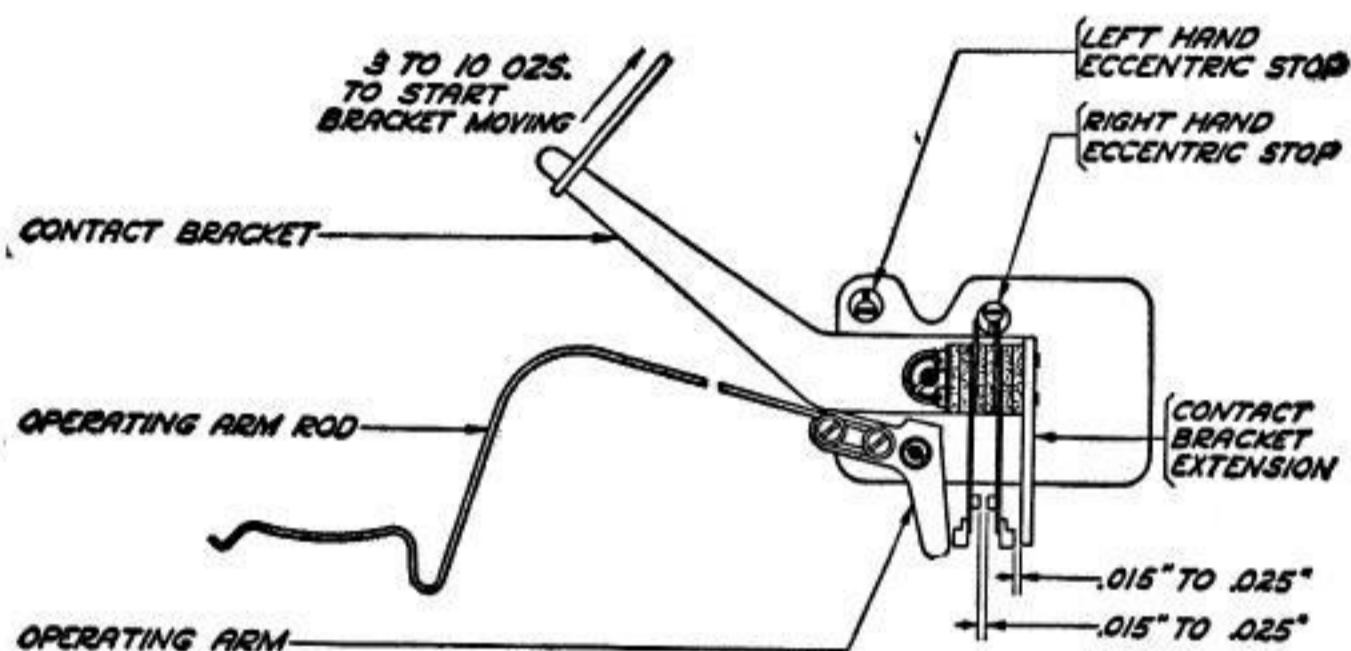


Fig. 1.