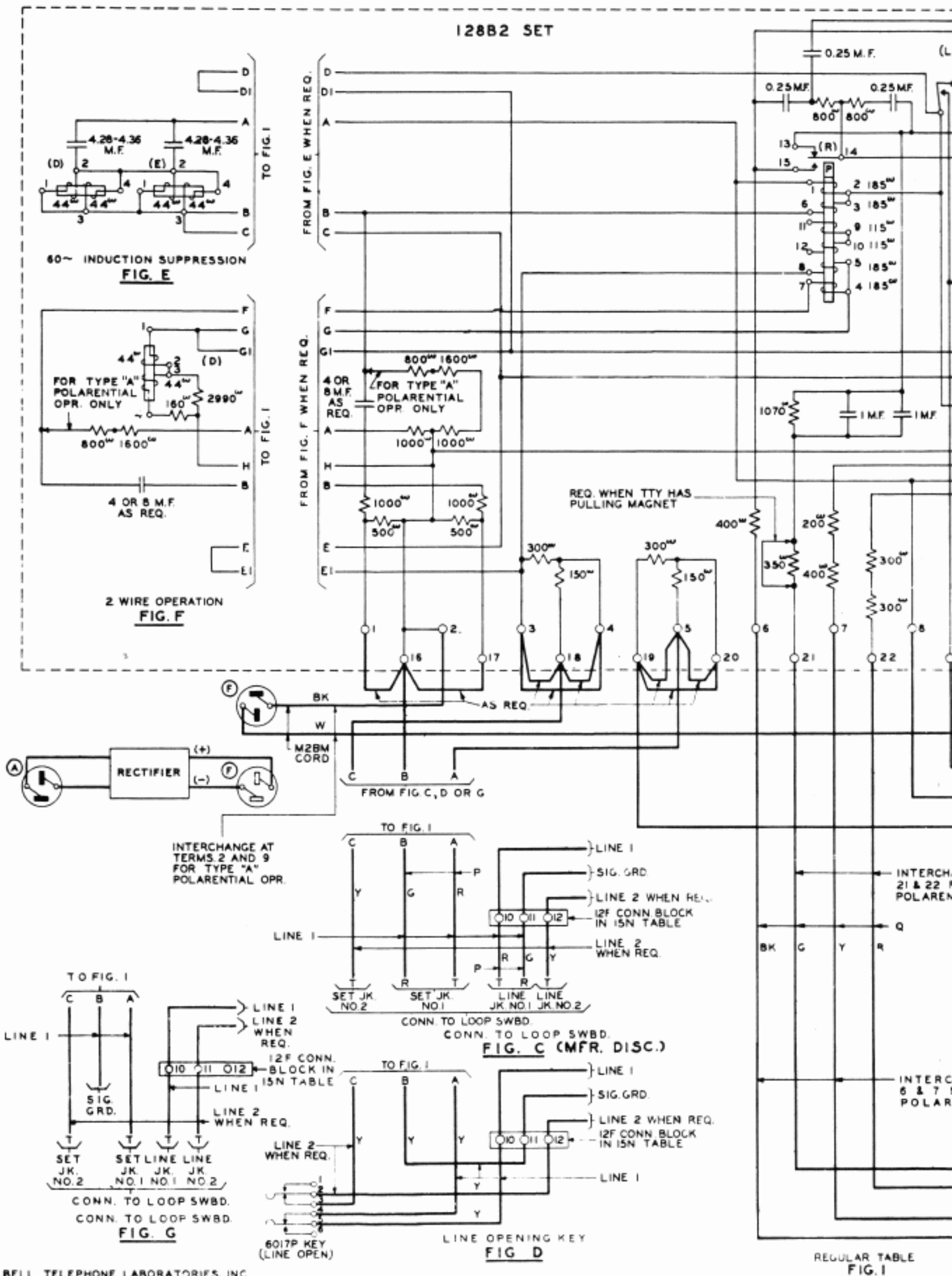


128B2 SET



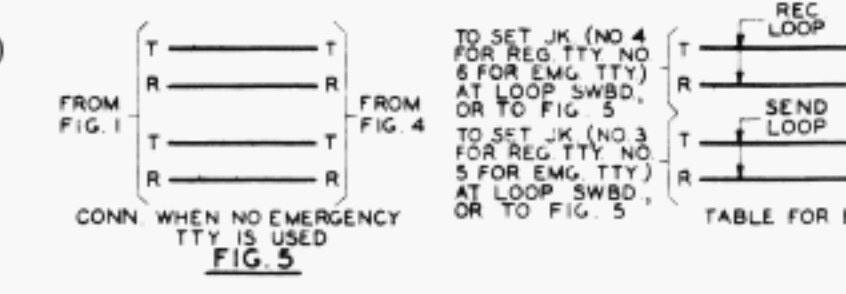
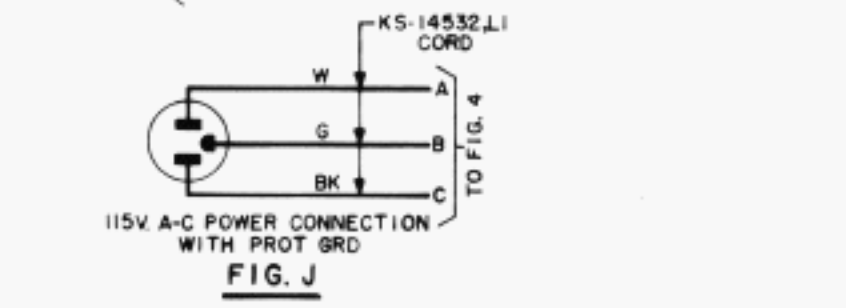
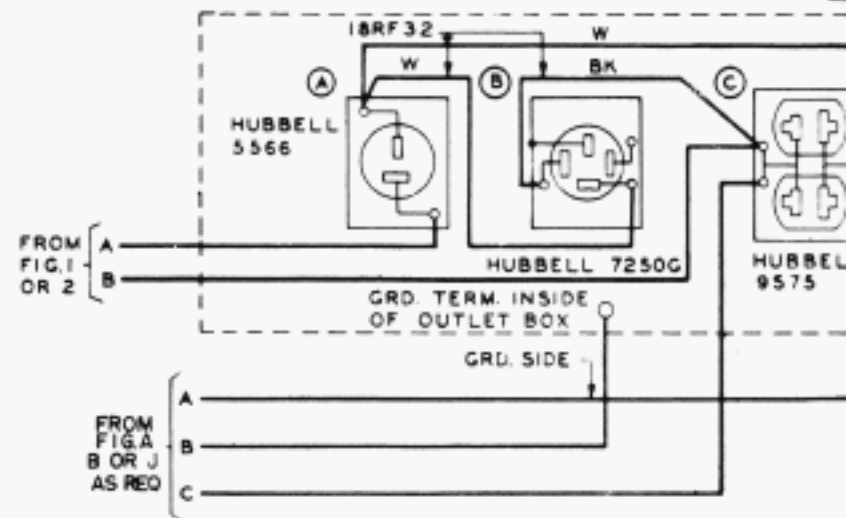
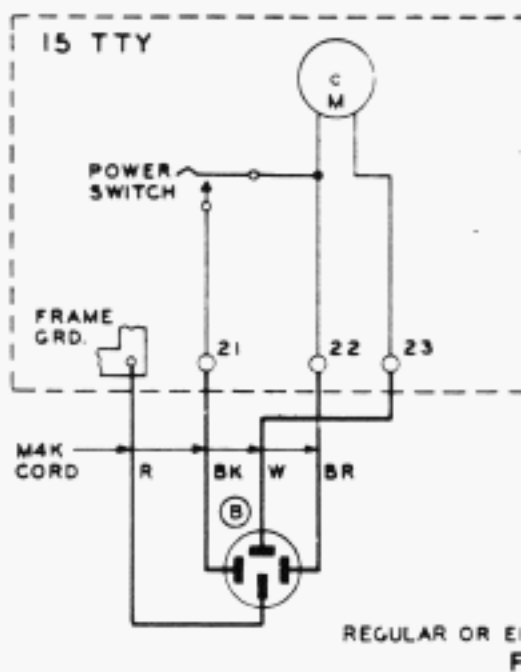
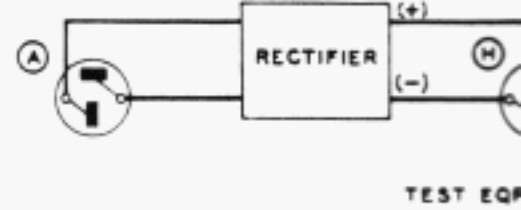
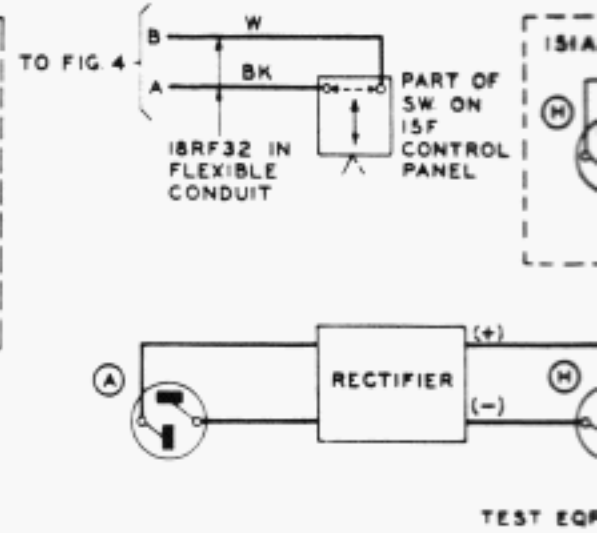
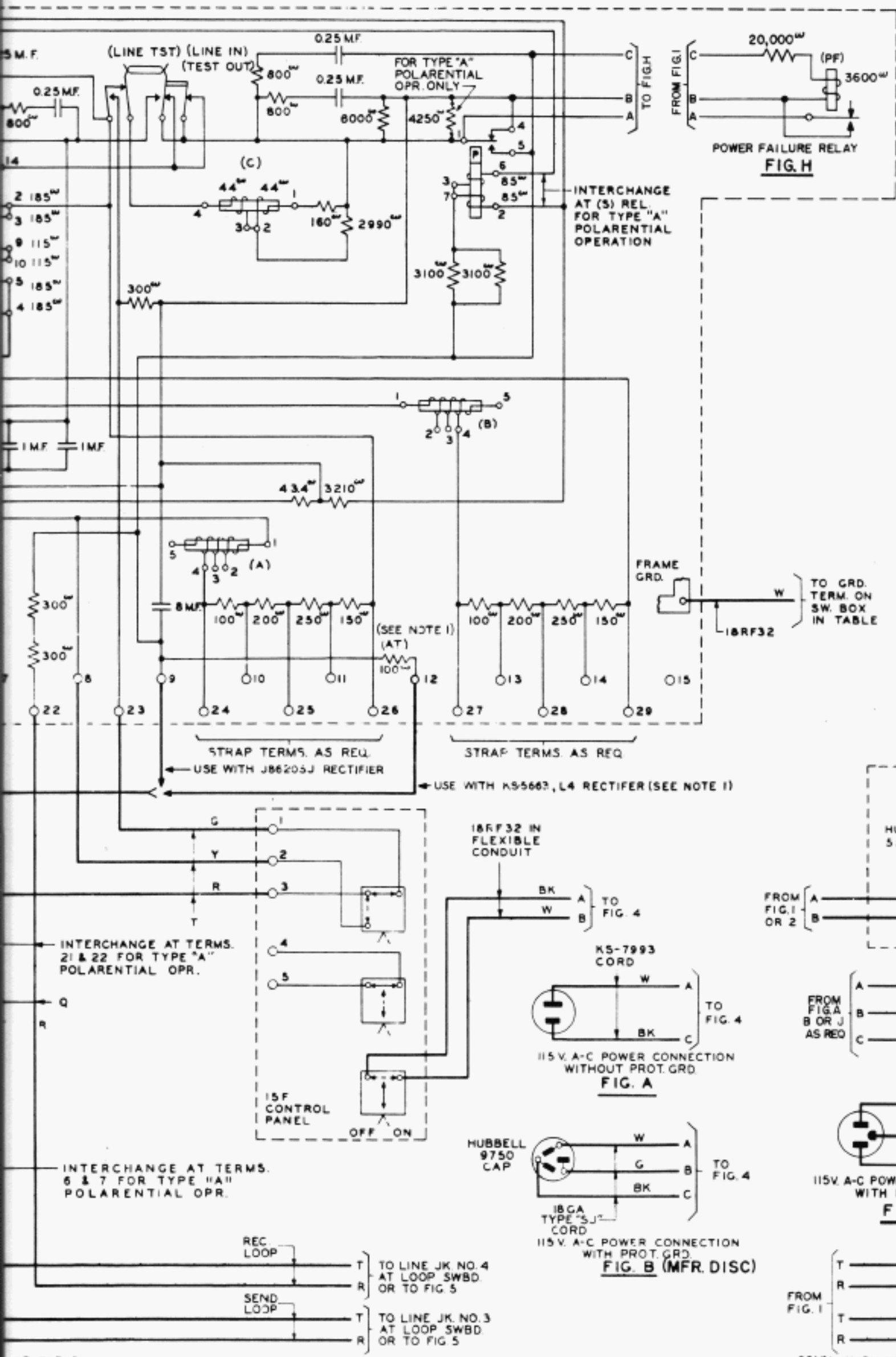
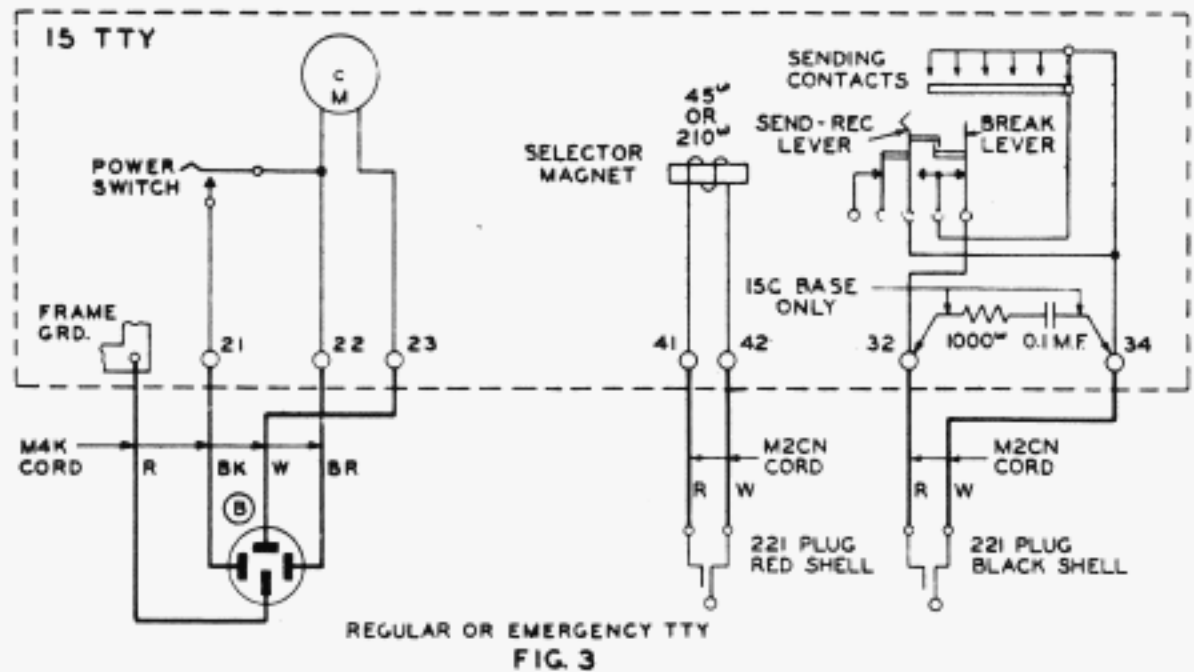
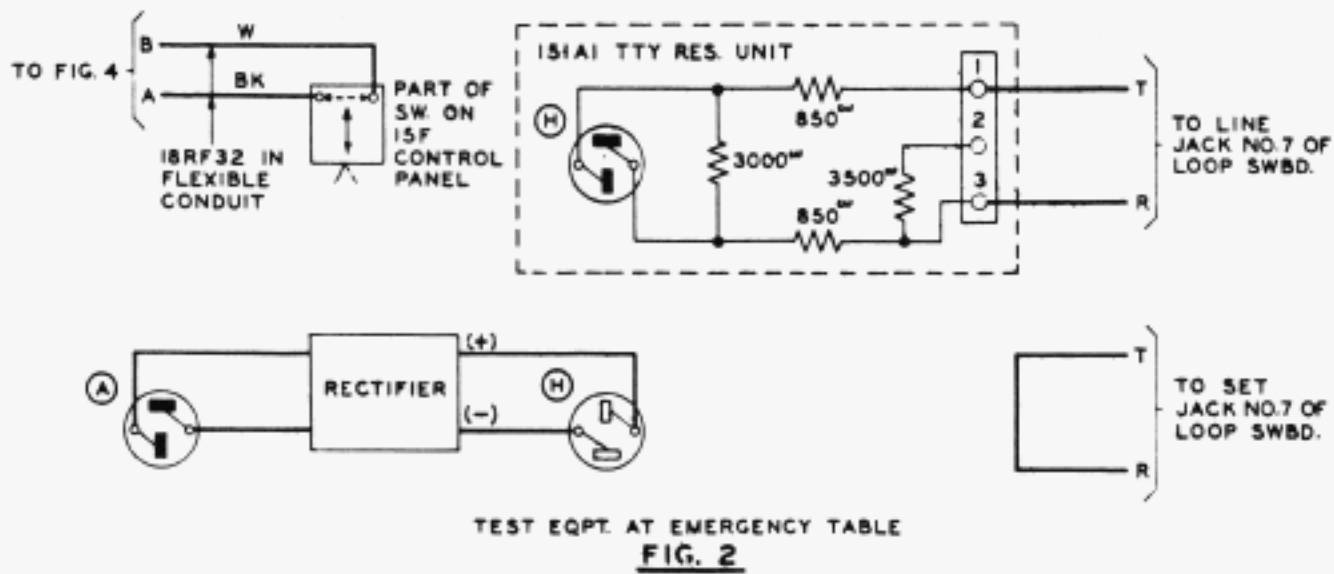


TABLE FOR FIG. 1

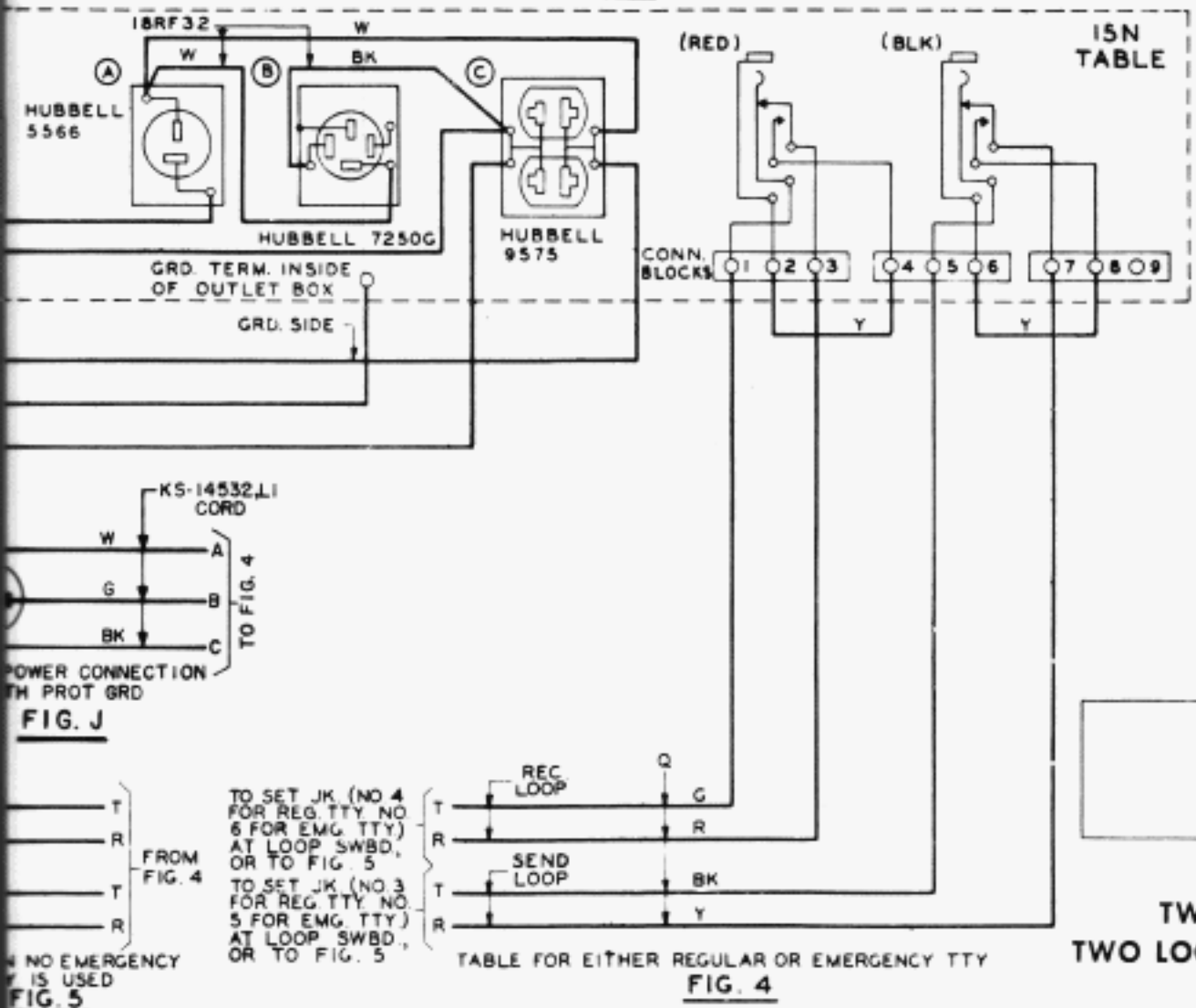
BELL SYSTEM PRACTICES
Teletypewriter and Data Stations

SECTION P90.511
Issue 6, November, 1958
AT&TCo Standard

PLANS USED	



NOTES:
1. SOME 128B2 SUBSCRIBER SETS ARE NOT EQUIPPED WITH THE (AT) RESISTANCE, AND WHEN A POWER CORD IS CONNECTED TO TERMINAL 12, A CHECK SHOULD BE MADE TO INSURE THAT RESISTANCE (AT) IS PRESENT.



15 TTY — 15N TABLE
TWP SERVICE — 128B2 TTY SUB SET
TWO LOOP OPERATION — MAGNET RECEIVING