

SUB. SET CONN.
HDX-20 MA. LOOP
SEE NOTE 3
FIG. 2

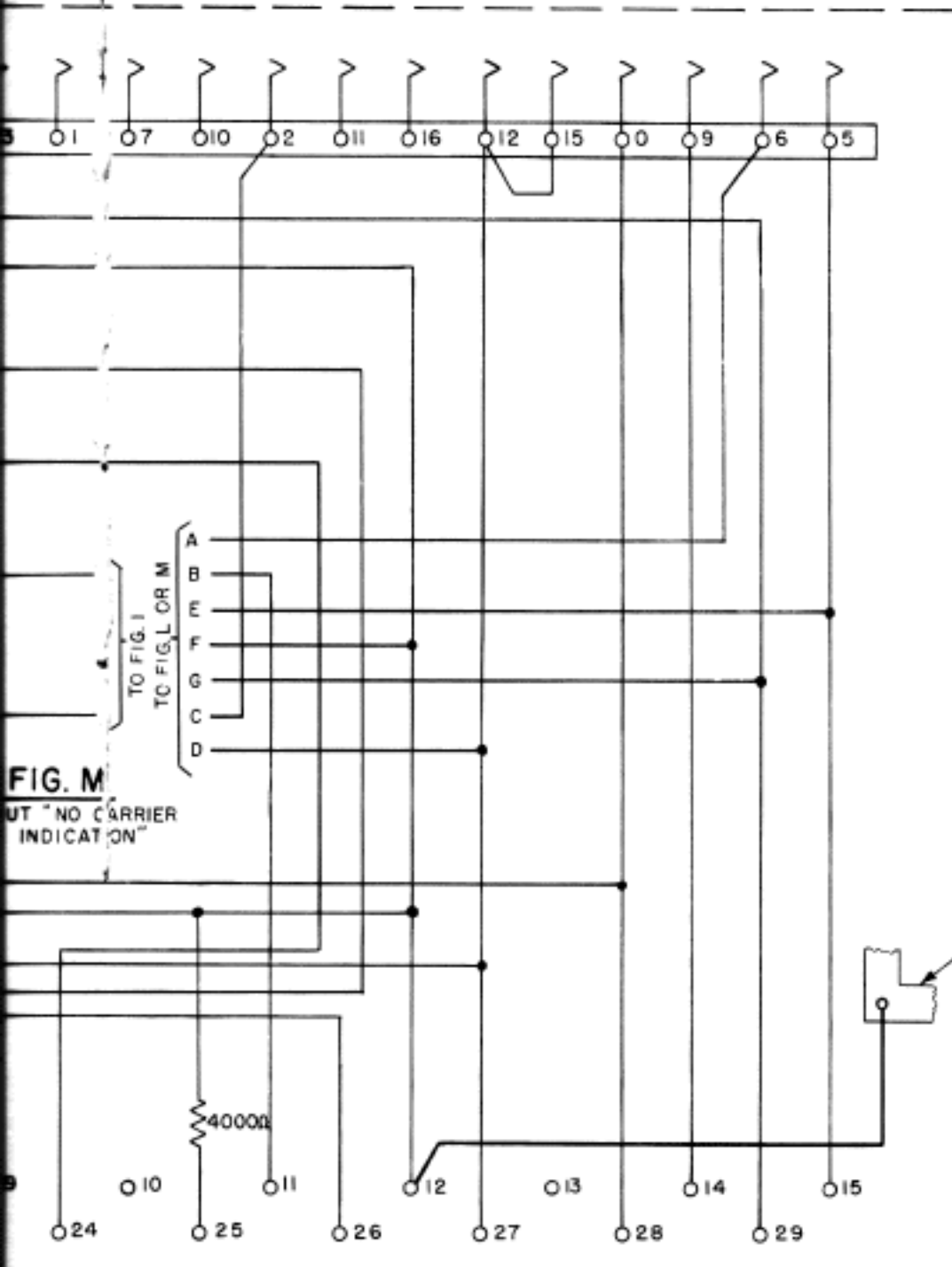
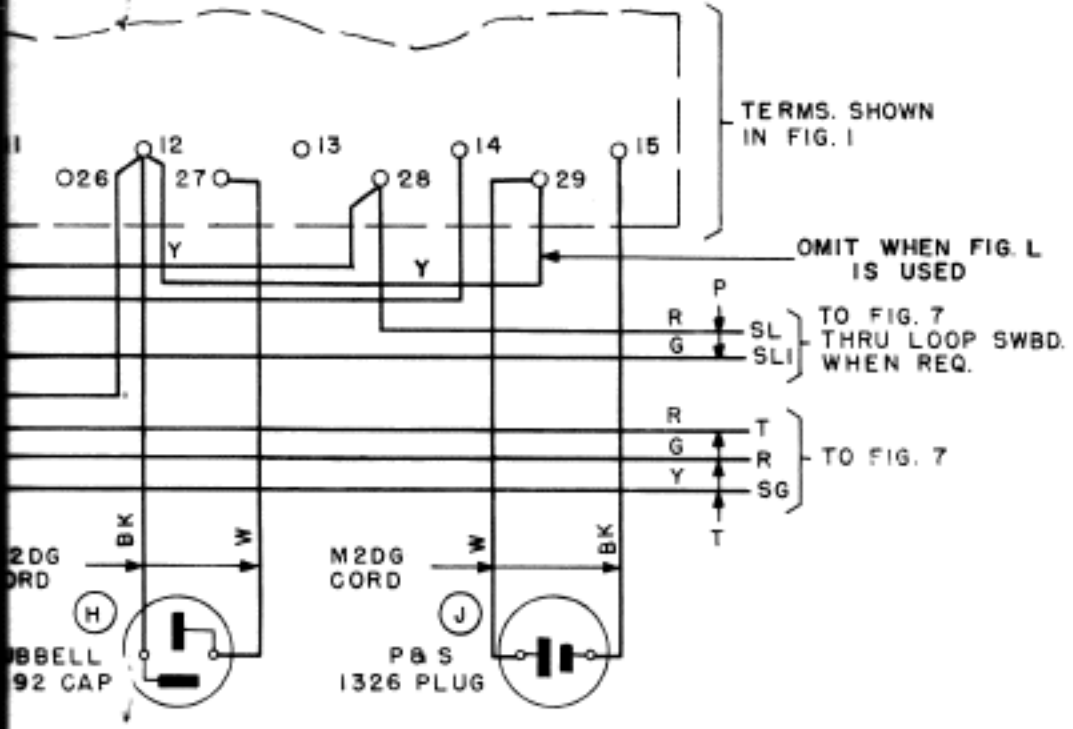
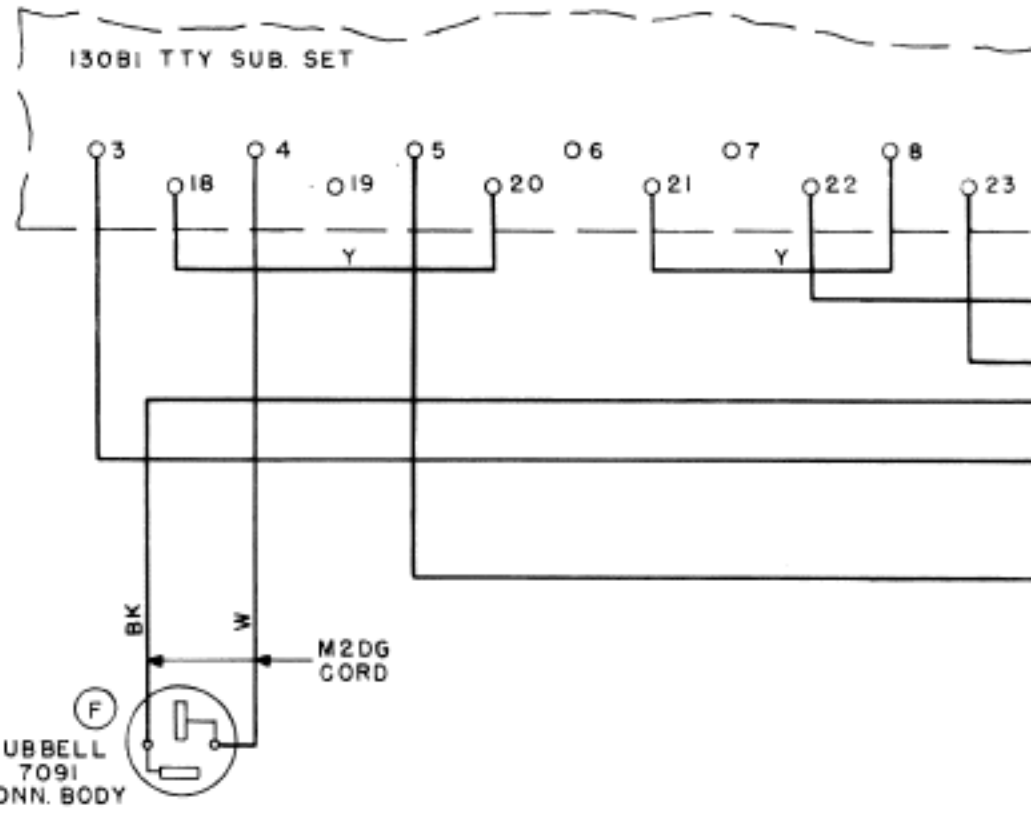
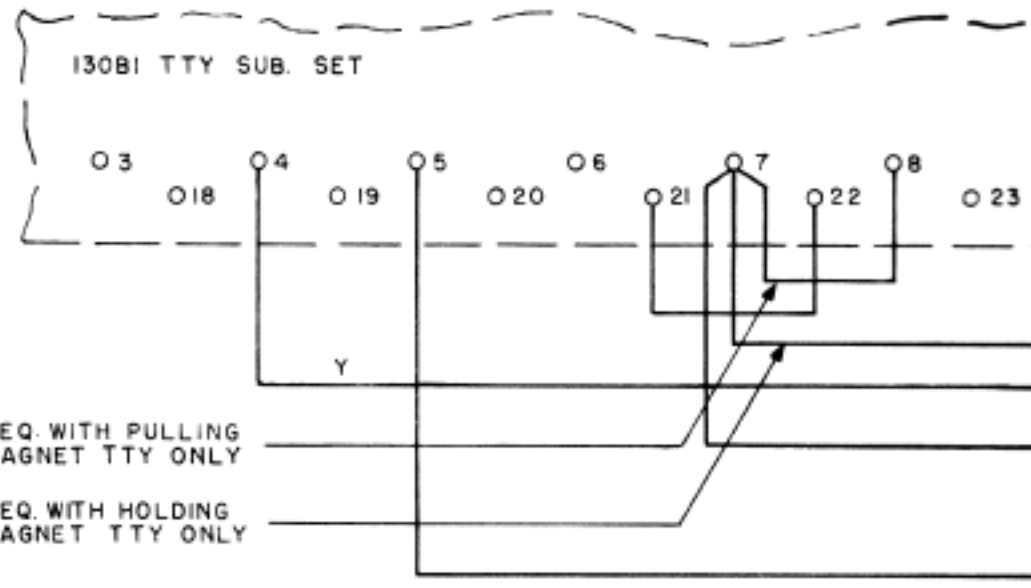


FIG. M
 "NO CARRIER INDICATION"



TERMS. SHOWN IN FIG. I

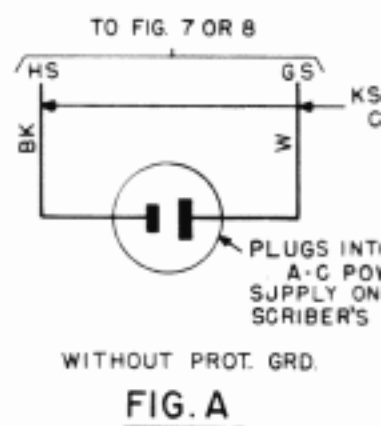
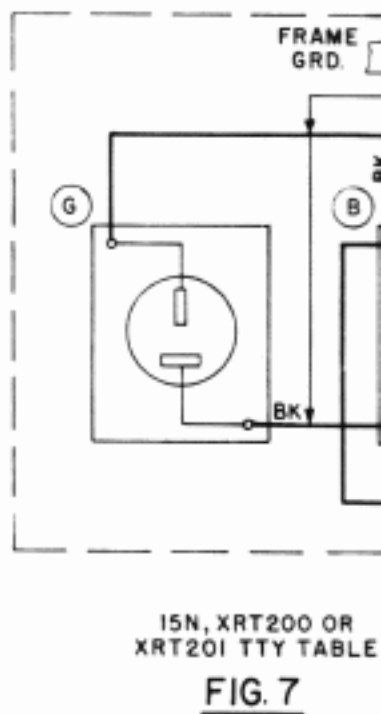
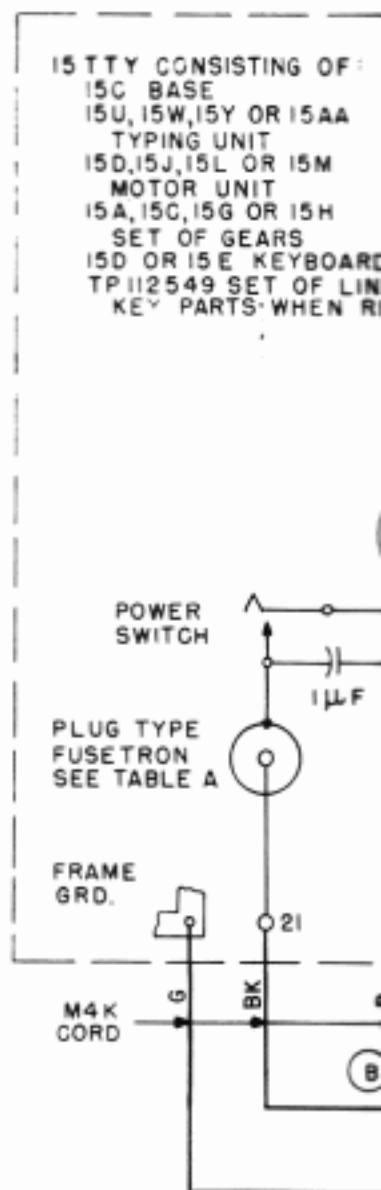
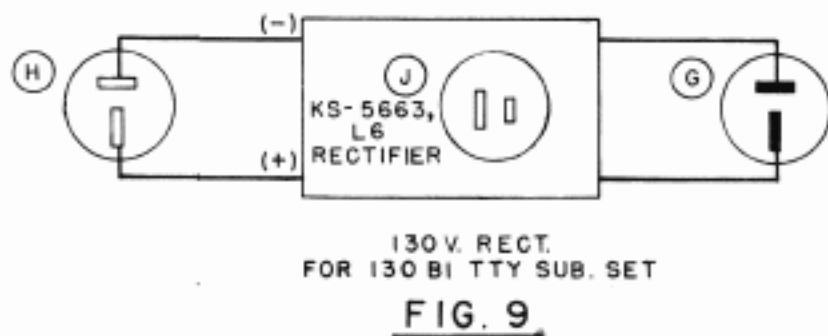
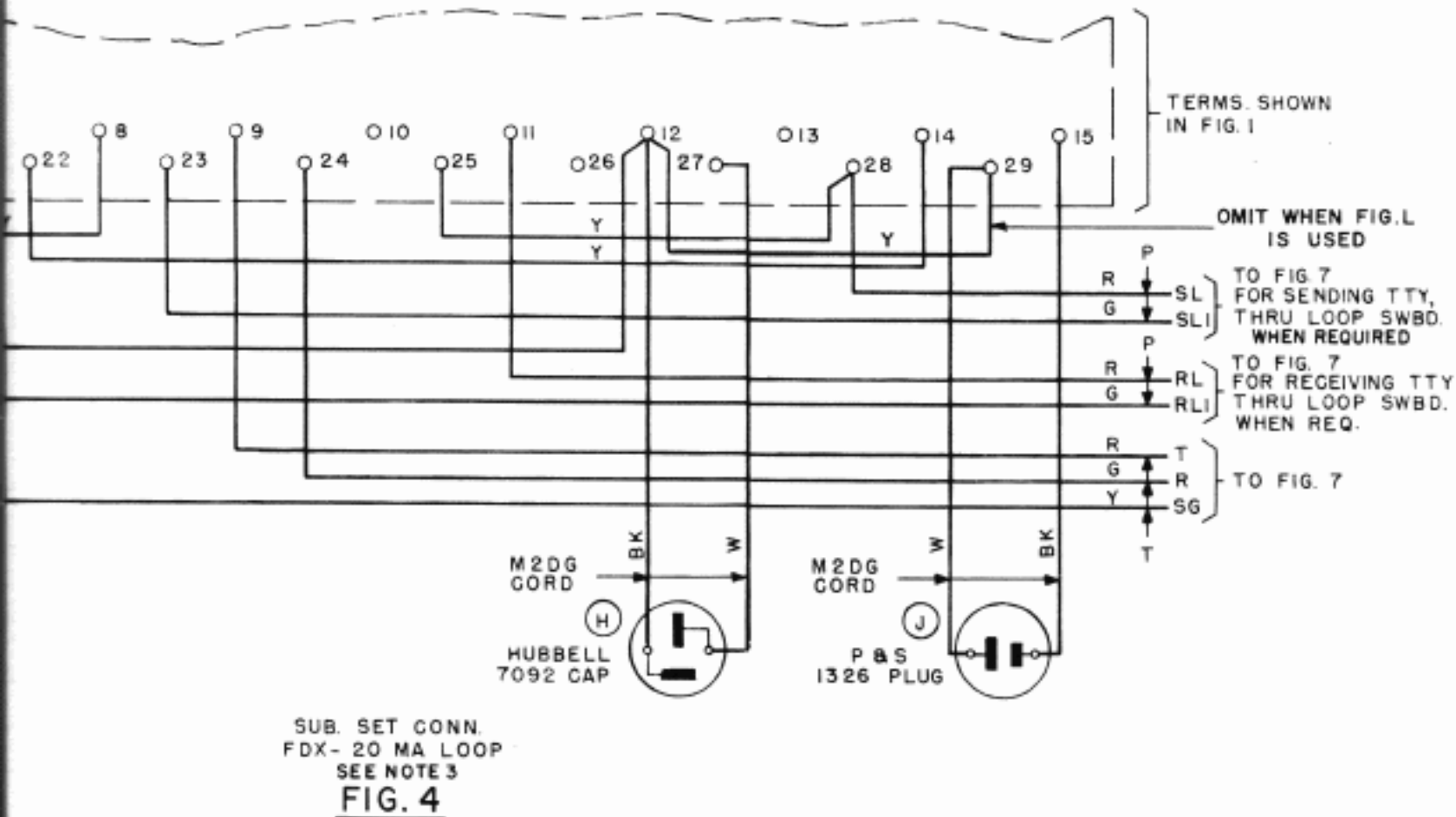
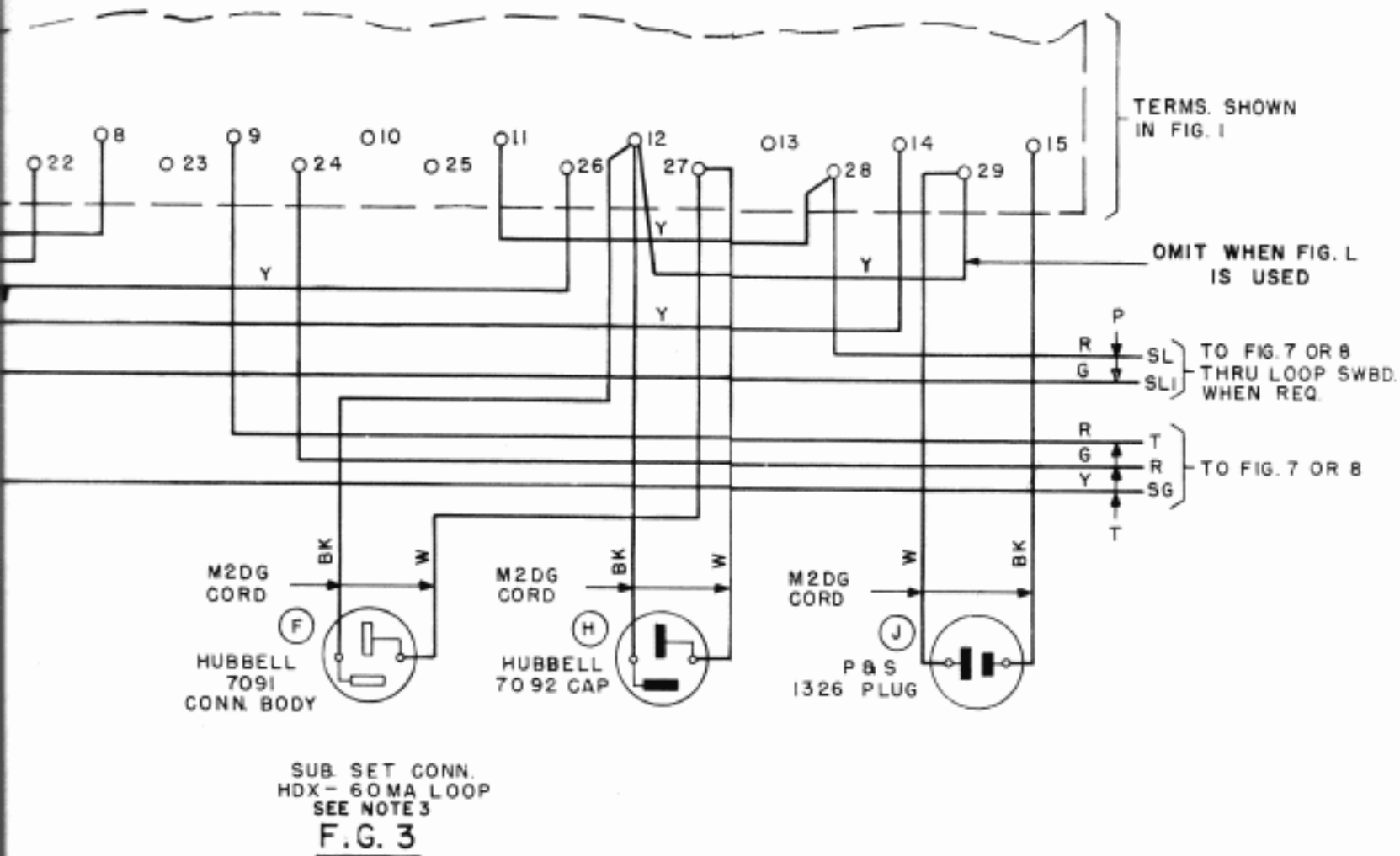
OMIT WHEN FIG. L IS USED

TO FIG. 7 THRU LOOP SWBD. WHEN REQ.

TO FIG. 7

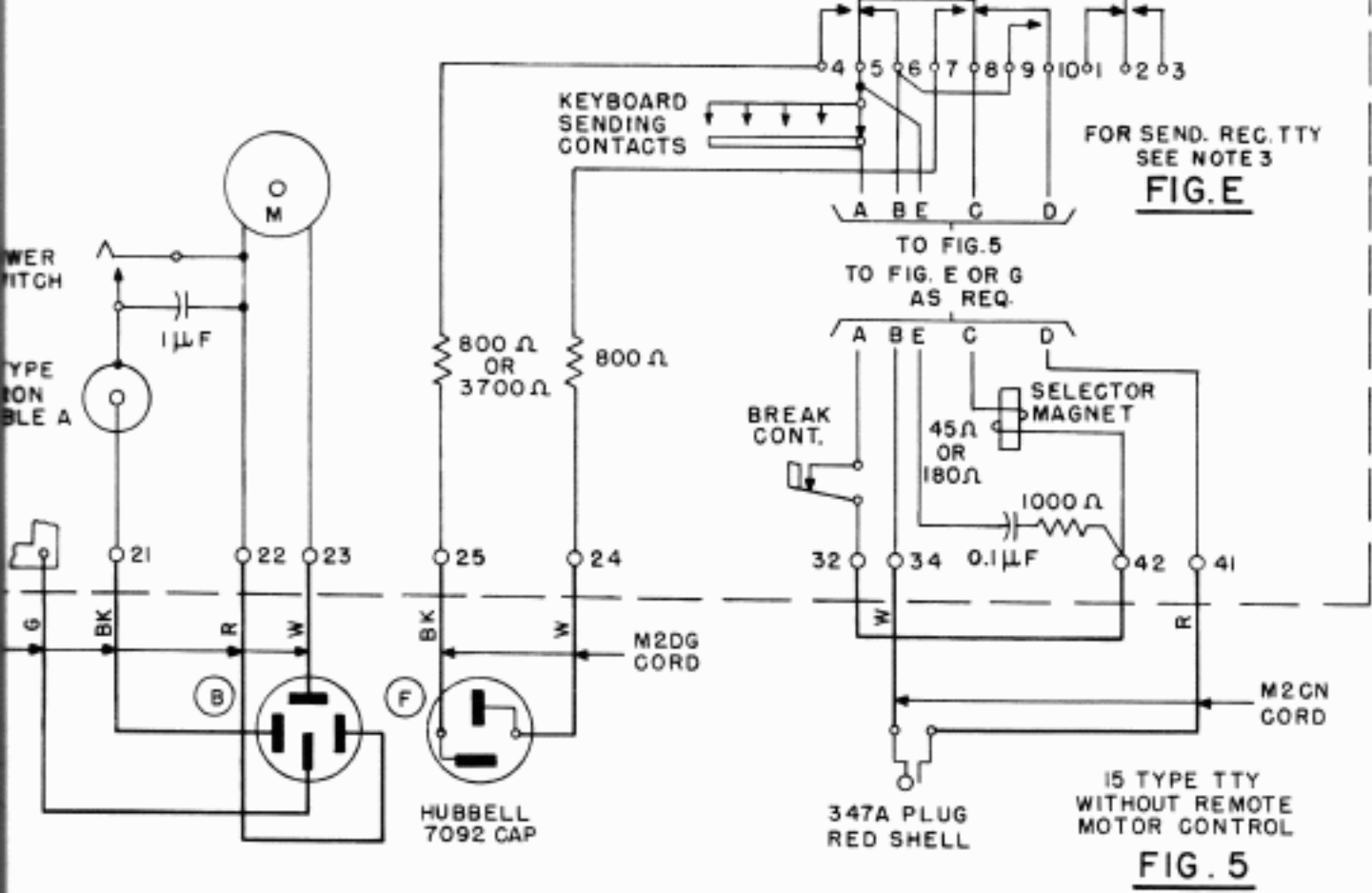
HUBBELL 7091 92 CAP

P&S 1326 PLUG

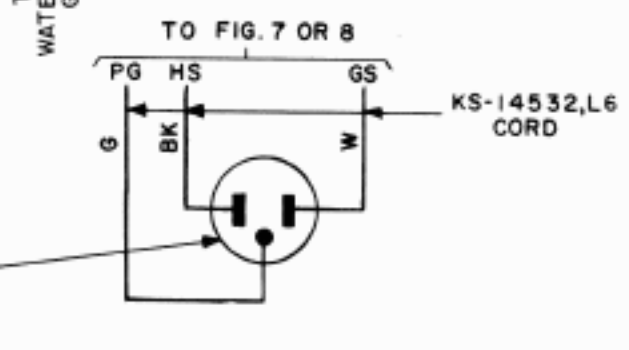
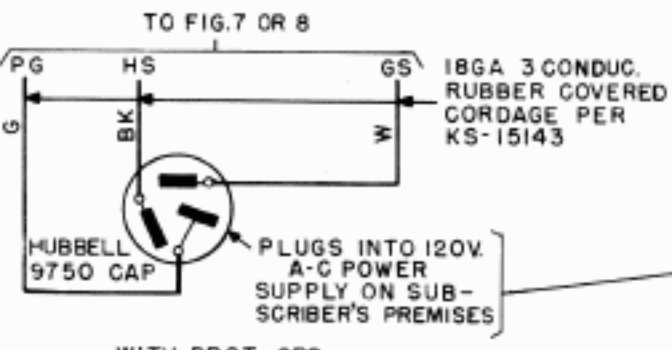
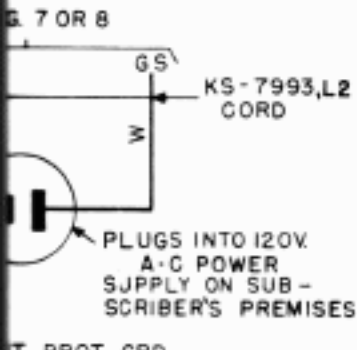
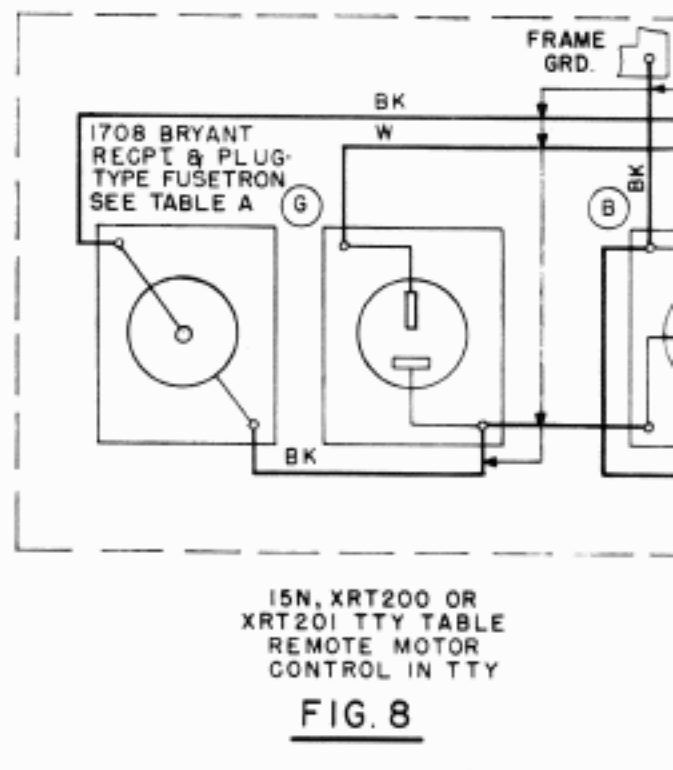
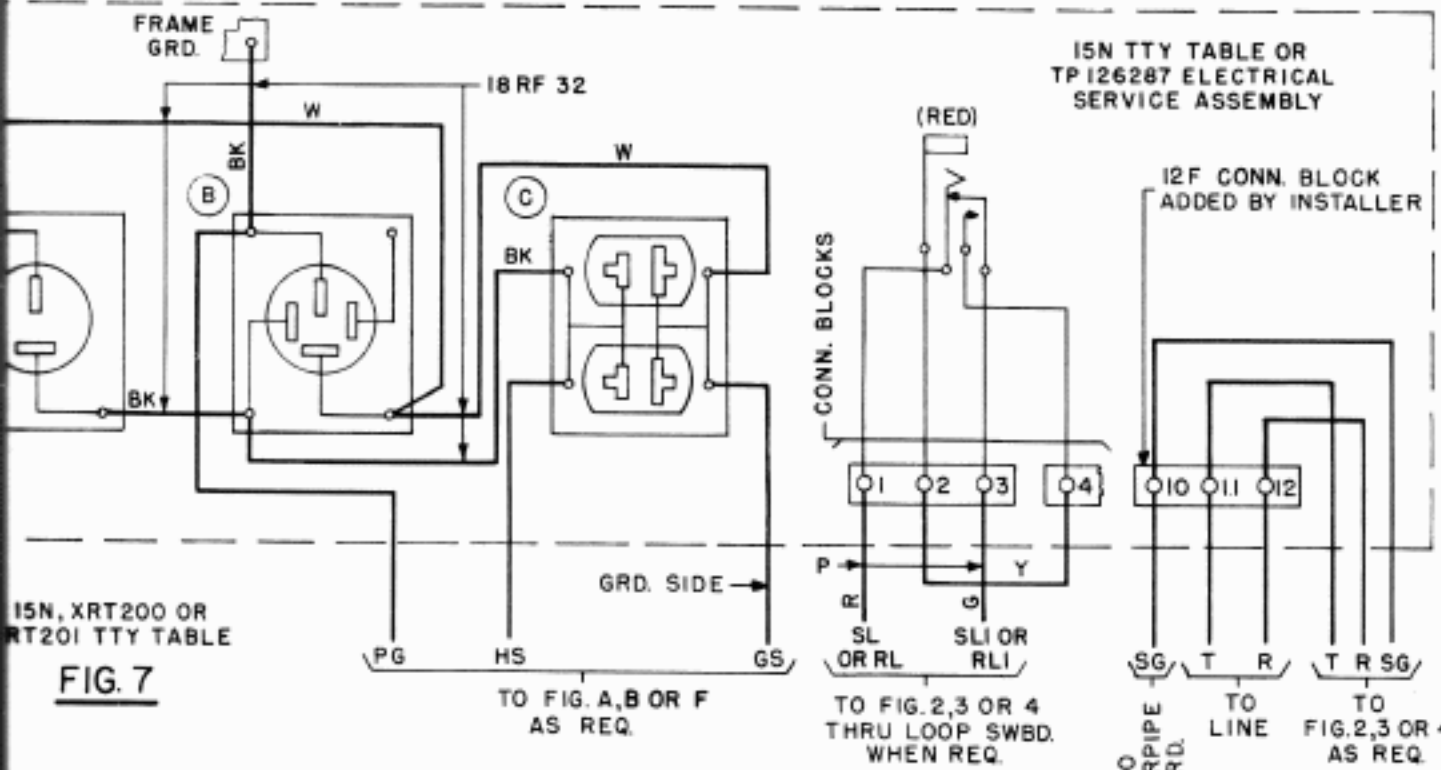
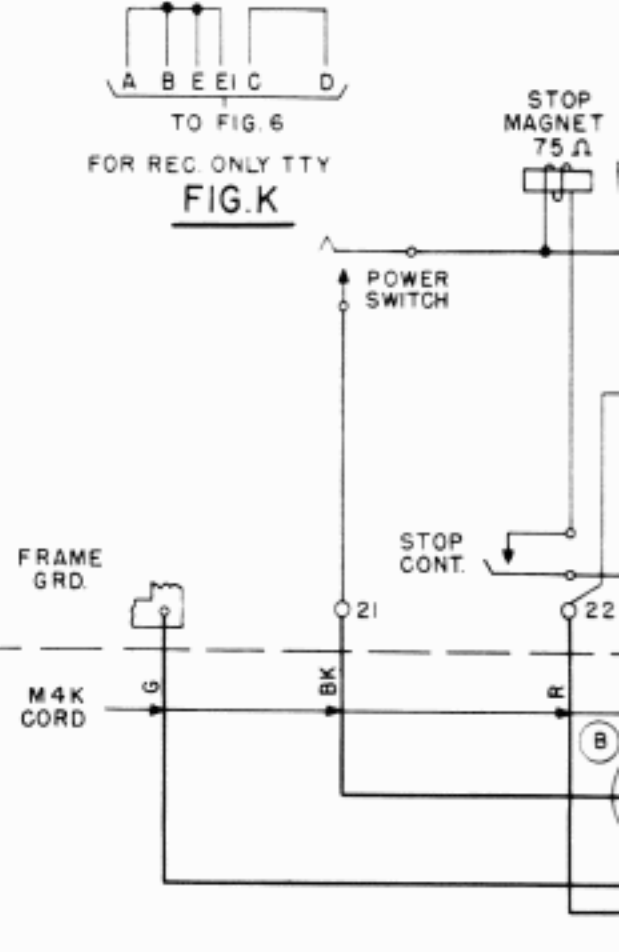


CONSISTING OF:
 15C BASE
 15W, 15Y OR 15AA
 TYPING UNIT
 15J, 15L OR 15M
 MOTOR UNIT
 15C, 15G OR 15H
 SET OF GEARS
 OR 15E KEYBOARD
 2549 SET OF LINE-TEST
 PARTS WHEN REQ.

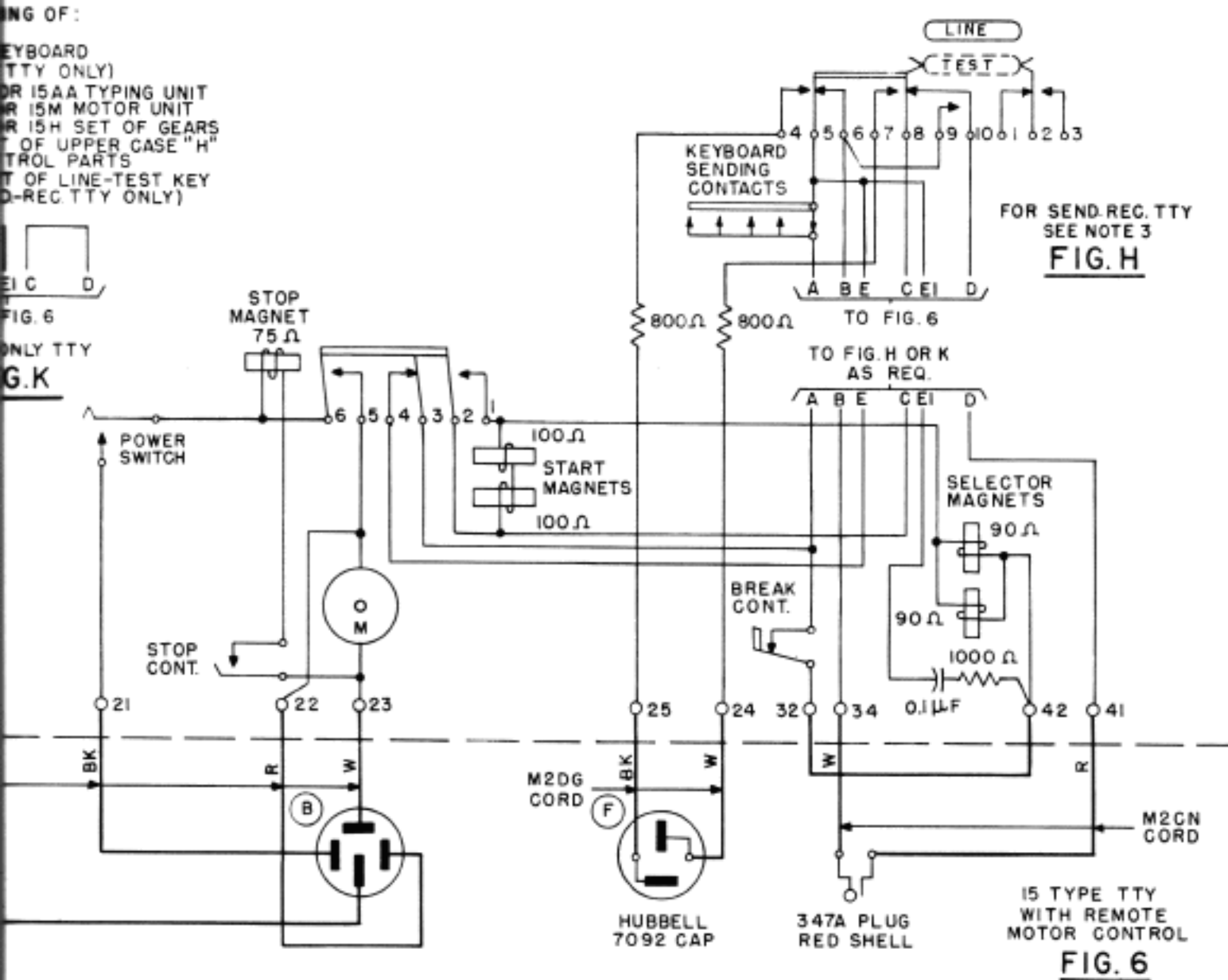
FOR SEND. REC.
 TTY ONLY



15TTY CONSISTING OF:
 15C BASE
 15D OR 15E KEYBOARD
 (SEND-REC. TTY ONLY)
 15U, 15W, 15Y OR 15AA TYPING UNIT
 15D, 15J, 15L OR 15M MOTOR UNIT
 15A, 15C, 15G OR 15H SET OF GEARS
 TP 96892 SET OF UPPER CASE "H"
 MOTOR CONTROL PARTS
 TP 112549 SET OF LINE-TEST KEY
 PARTS (SEND-REC TTY ONLY)



NOT
 1. L
 2. V
 3. C



MOTOR	FUSETRON
A-C SYNCH	T3.2
A-C SER	T1.6

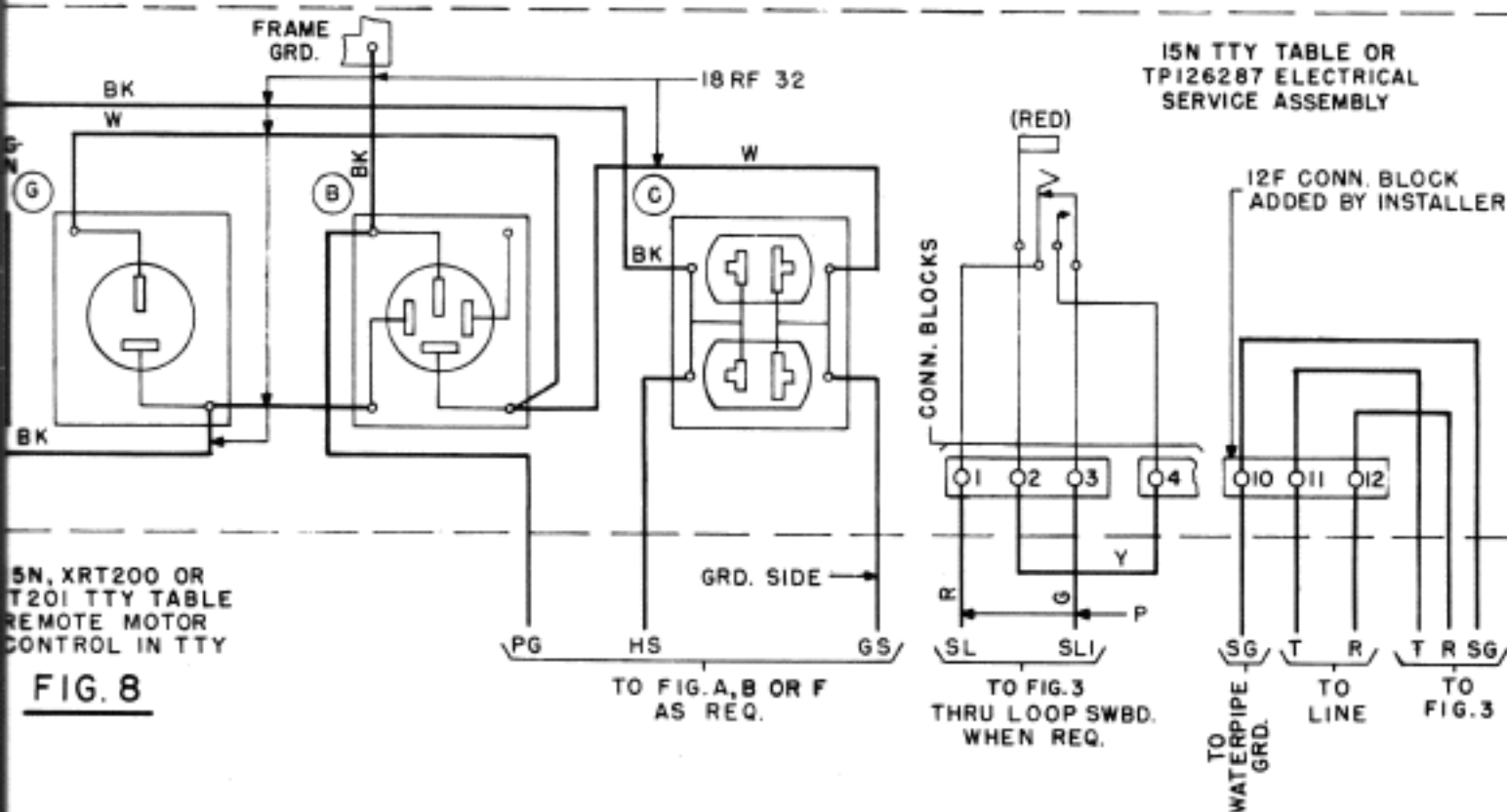
TABLE A

"M" PLANS USED	
M2.06 *	M2.49 *
M2.23	M2.52 *
M2.29B *	
M2.44 *	

* WHEN REQUIRED
TABLE B

LINE IMPEDANCE	STRAP TERMINALS
0-400 Ω	1 & 2
400-800 Ω	2 & 16
OVER 800 Ω	2 & 17

TABLE C



- NOTE:
- UNLESS OTHERWISE SPECIFIED ALL COLORED LEADS SHALL BE 22GA. BROWN, TYPE GS STATION WIRE PER AT & T CO SPEC. 7089.
 - WHEN FIG. C IS USED STRAP TERMS. 1, 2, 16 & 17 OF 130B1 SET AS COVERED IN TABLE C.
 - OMIT (F) CORDS AND ASSOCIATED CONNECTORS IN FIG. 2, 3, 4, E, & H WHEN LOCAL TEST FEATURE IS NOT FURNISHED.