

128B2 TTY SUB SET

FIG. E
60 ~ INDUCTION SUPPRESSION

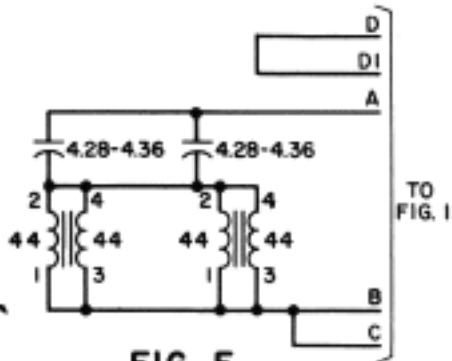


FIG. F
2 WIRE OPERATION

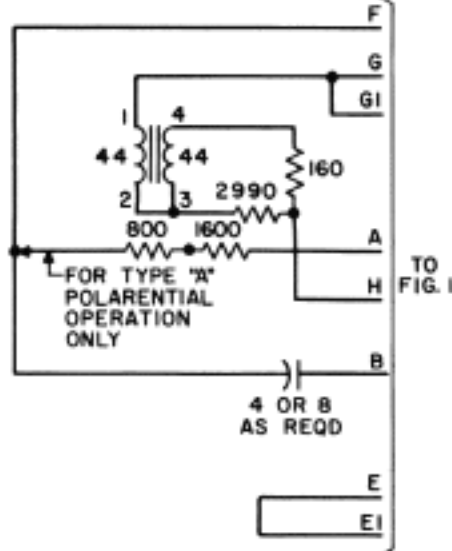


FIG. I
REGULAR TABLE

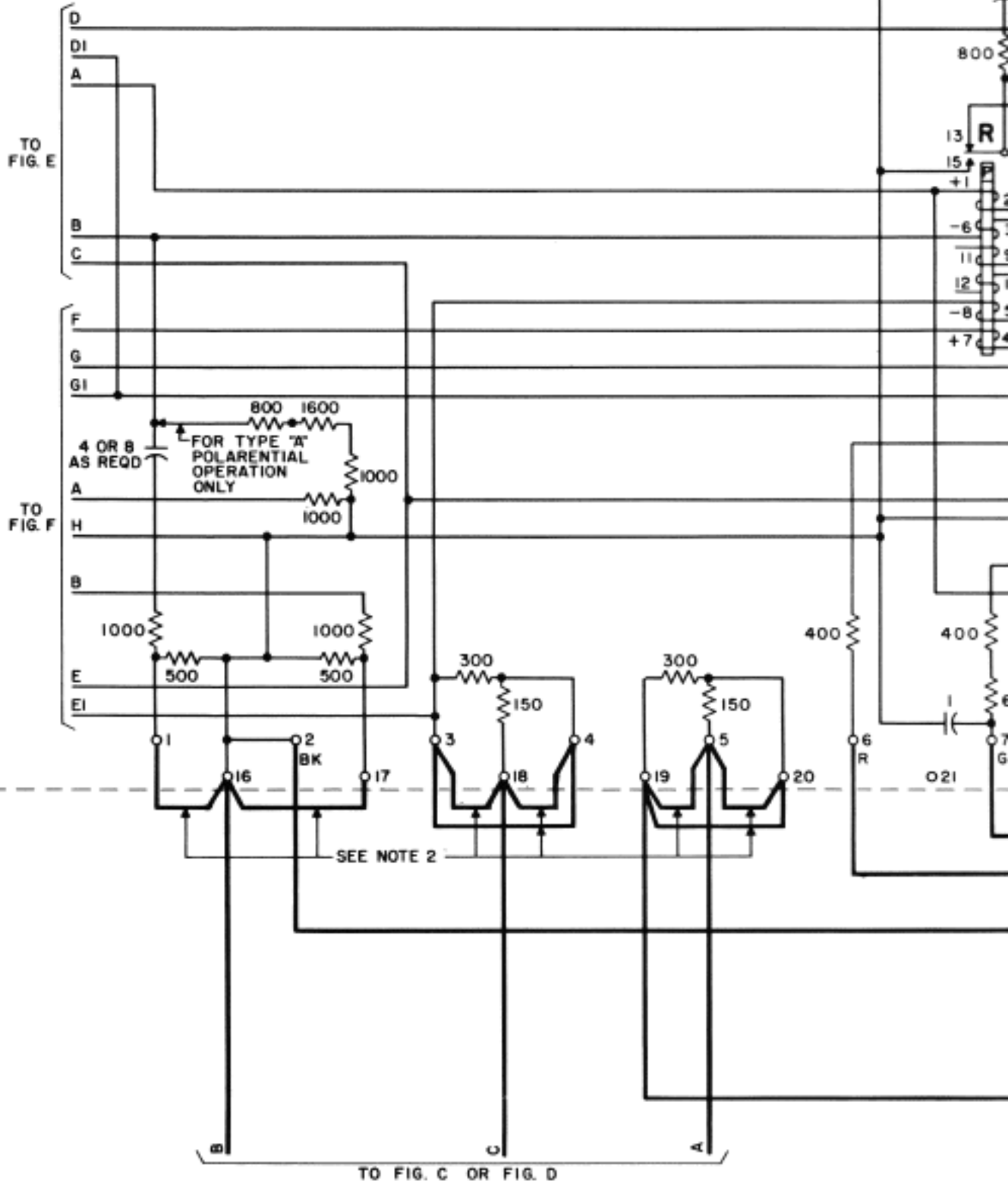


FIG. C
(SEE NOTE 1)

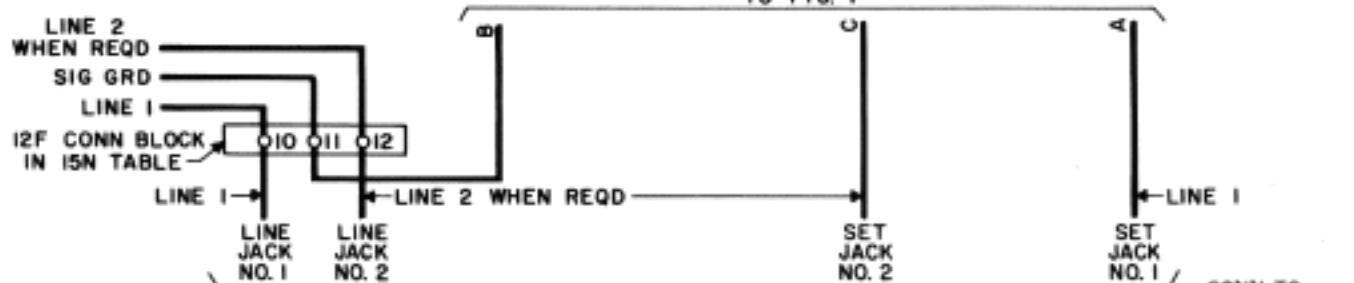
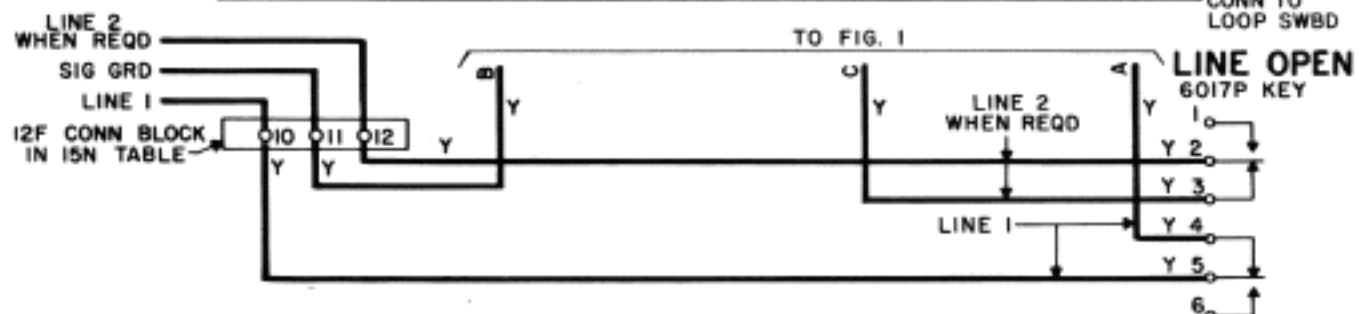
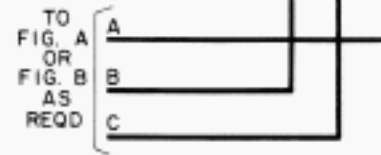
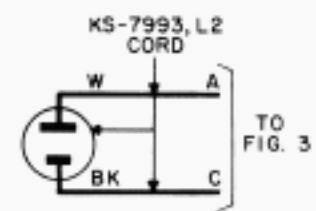
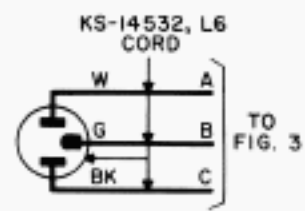
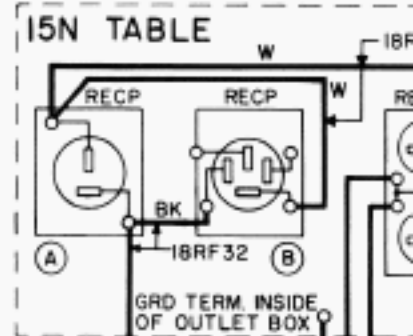
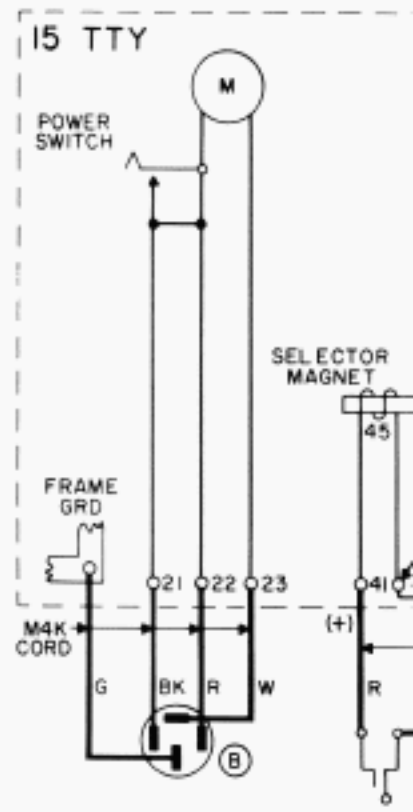
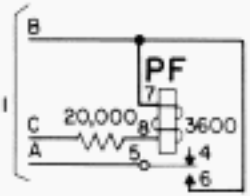
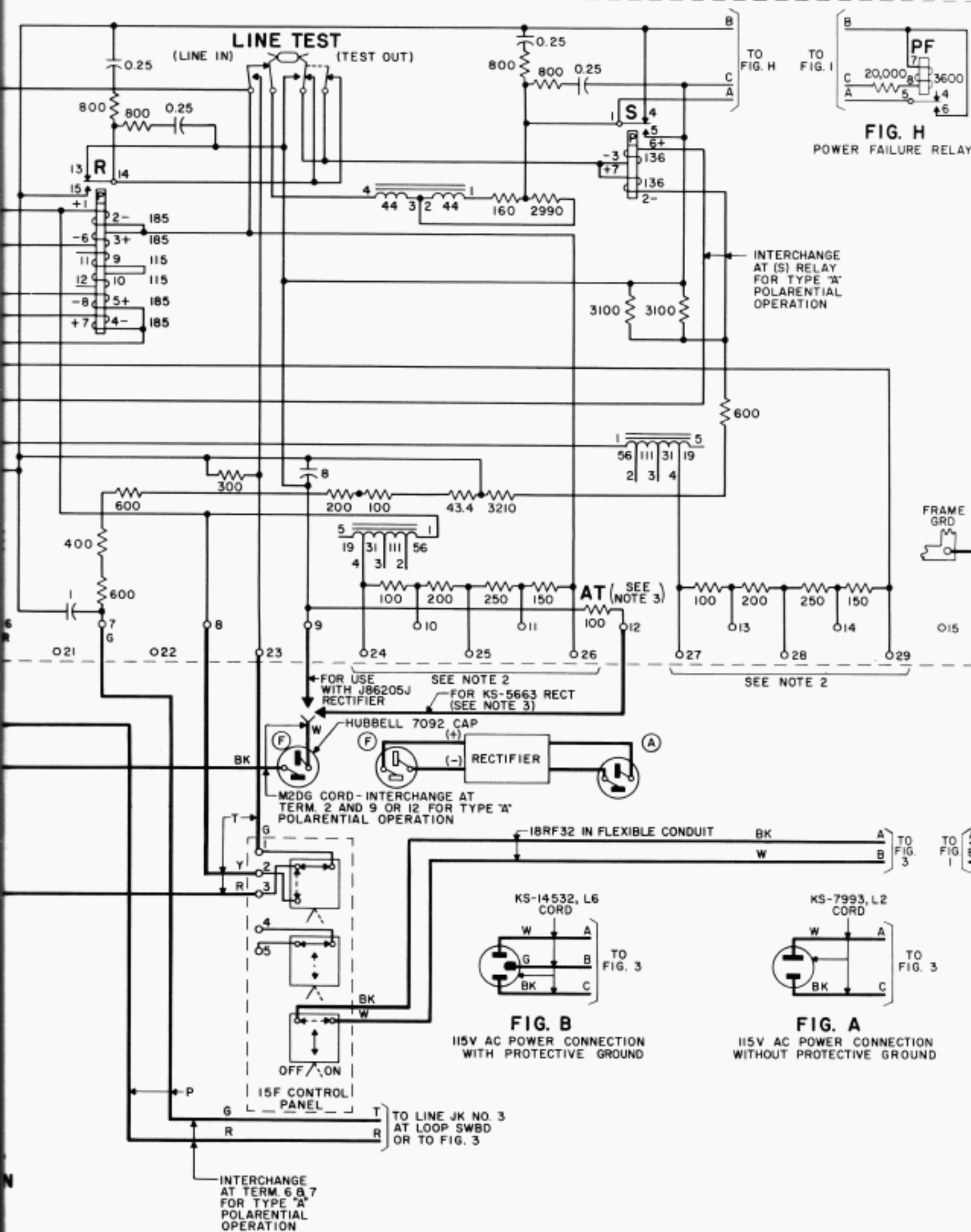


FIG. D
LINE OPENING KEY
(SEE NOTE 1)



FIG



TO SET JK NO. 3 AT LOOP SWBD OR TO FIG. 1

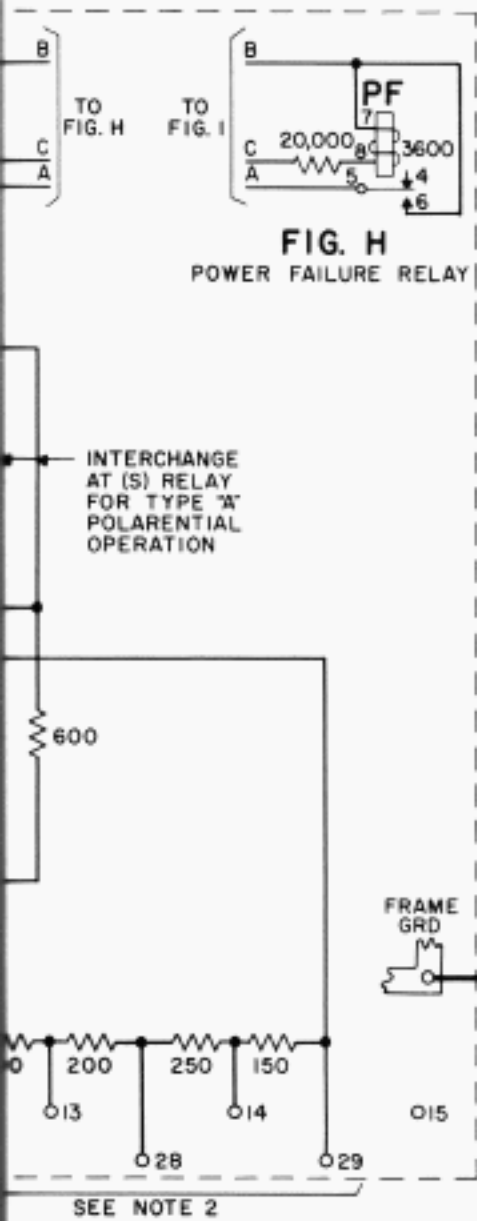


FIG. H
POWER FAILURE RELAY

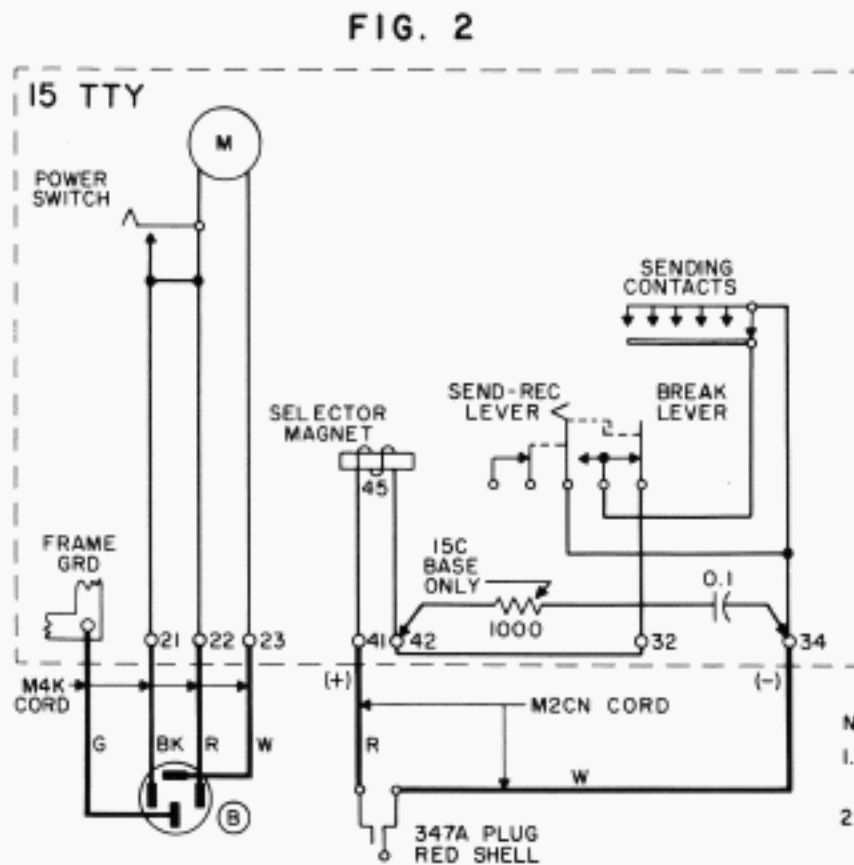


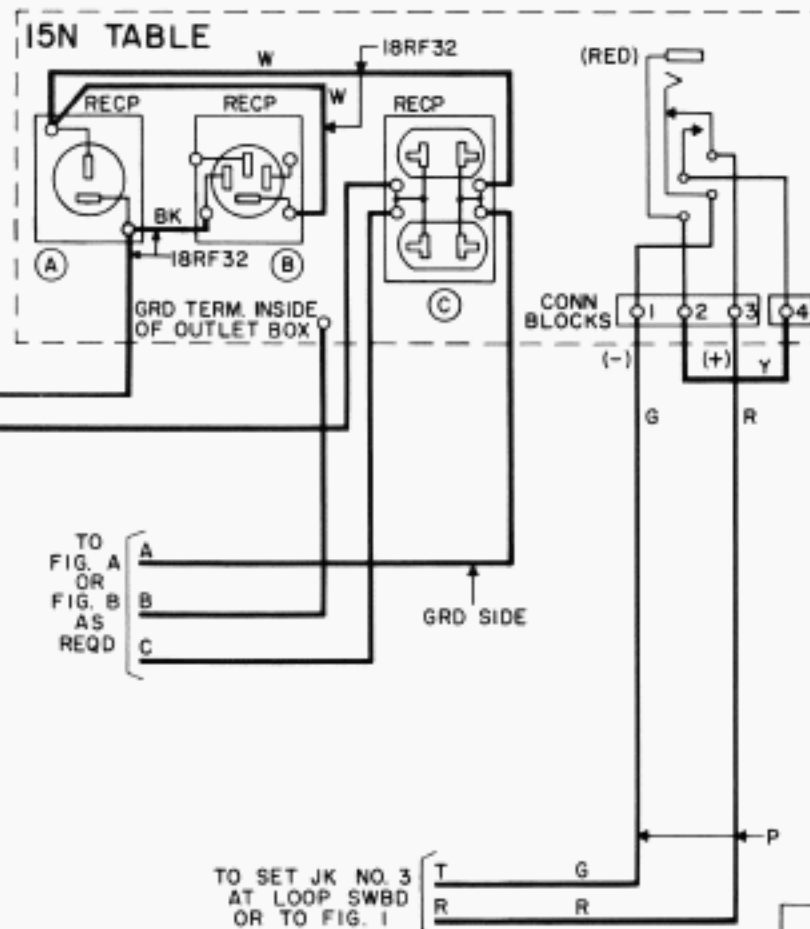
FIG. 2

NOTES:

1. USE FIG. C WHEN LOOP SWITCH BOARD IS PROVIDED, OTHERWISE USE FIG. D.
2. REFER TO BSP SECTION P31.240 FOR INFORMATION ON OPERATION AND STRAPPING REQUIRED ON 128B2 TTY SUB SET.
3. EARLY MODELS OF THE 128B2 TTY SUB SET WERE NOT EQUIPPED WITH THE (AT) RESISTOR, AND A CHECK SHOULD BE MADE TO ASSURE THIS RESISTOR IS EQUIPPED WHENEVER THE KS-5663 RECTIFIER IS USED.
4. UNLESS OTHERWISE SPECIFIED: RESISTANCE VALUES ARE IN OHMS, CAPACITANCE VALUES ARE IN MICRO-FARADS.
5. UNLESS OTHERWISE SPECIFIED, ALL COLORED LEADS ARE 22GA TYPE GS STATION WIRE, BROWN, PER AT&T CO, SPEC 7089.



FIG. 3
TTY TABLE



15N TABLE

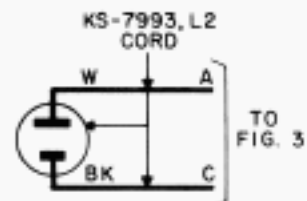


FIG. A
115V AC POWER CONNECTION
WITHOUT PROTECTIVE GROUND

STATION IDENTIFICATION

15TTY — 15N TABLE
TWP SERVICE — 128B2 TTY SUB SET
SINGLE LOOP OPERATION
HOLDING MAGNET RECEIVING
WITHOUT EMERGENCY TELETYPEWRITER