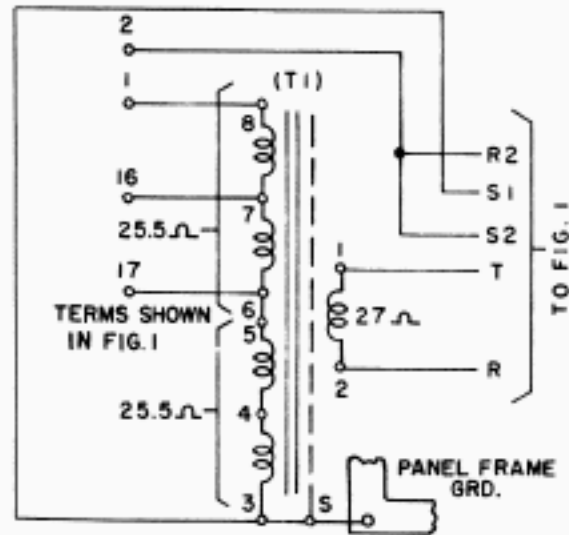
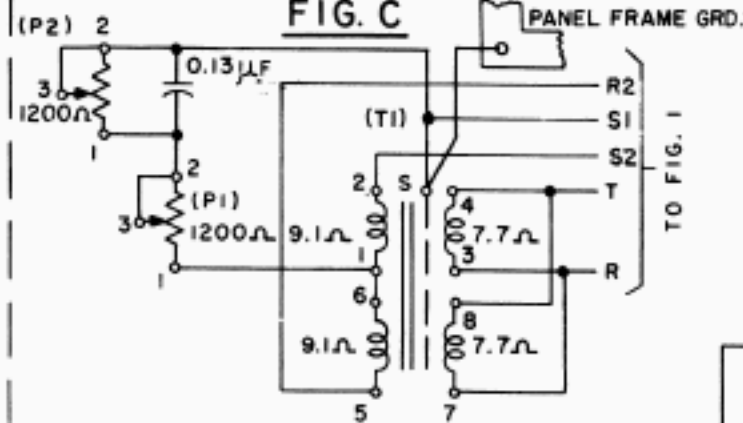


130BI TTY SUB. SET



FOR ALL CHAN. TERMS. EXCEPT THAT USING MID-BAND FREQS. OF 4360 AND 4580 CPS.

FIG. C



FOR CHAN. TERMS. USING MID-BAND FREQS. OF 4360 AND 4580 CPS.

FIG. D

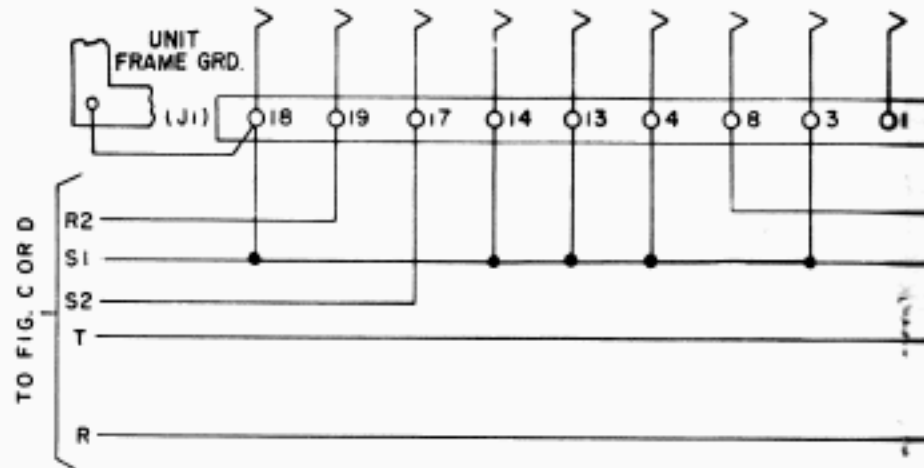


FIG. E

WITH "NO CARRIER INDICATION"

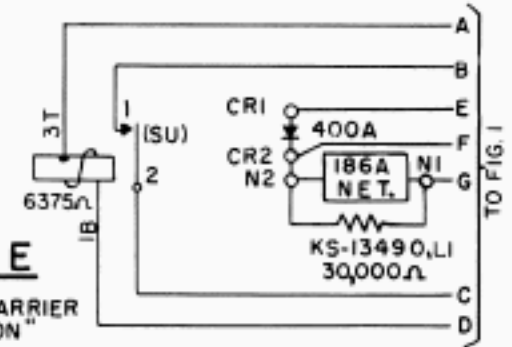
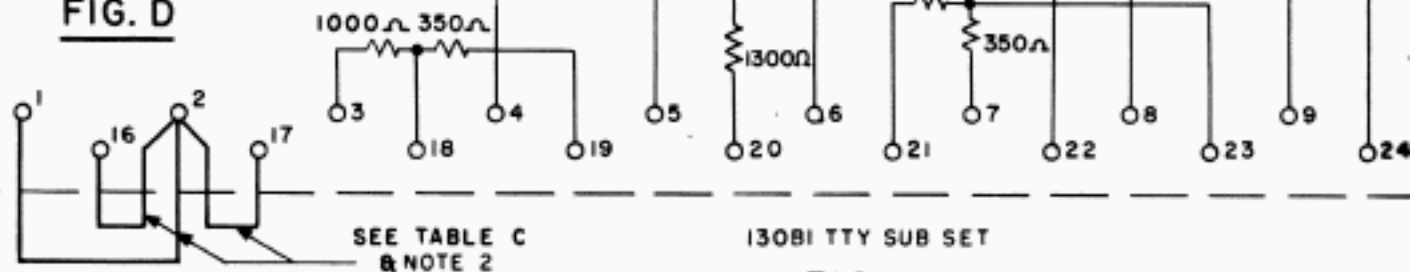


FIG. F

WITHOUT "NO CARRIER INDICATION"

STATION IDENTIFICATION

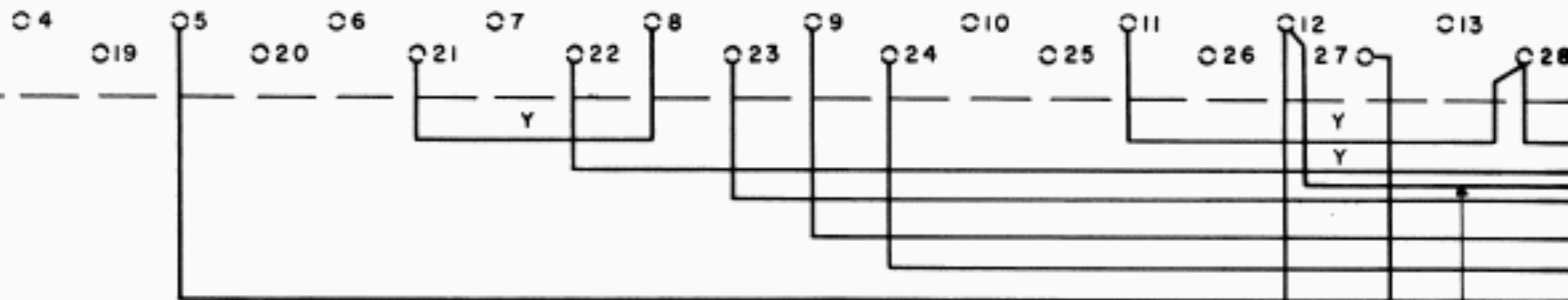


SEE TABLE C & NOTE 2

130BI TTY SUB SET

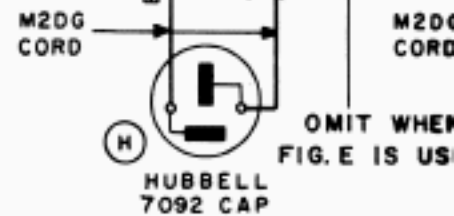
FIG. I

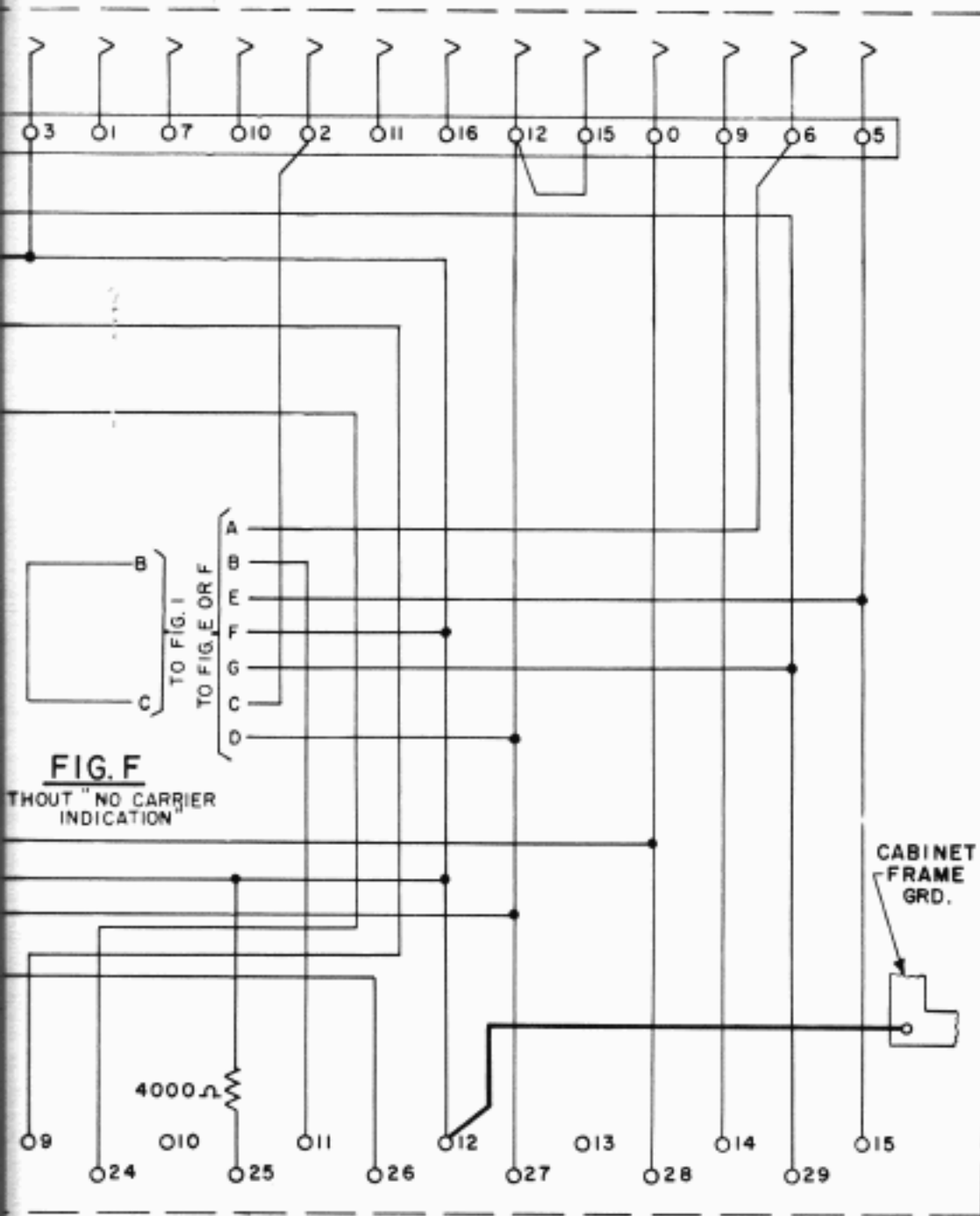
130BI TTY SUB SET



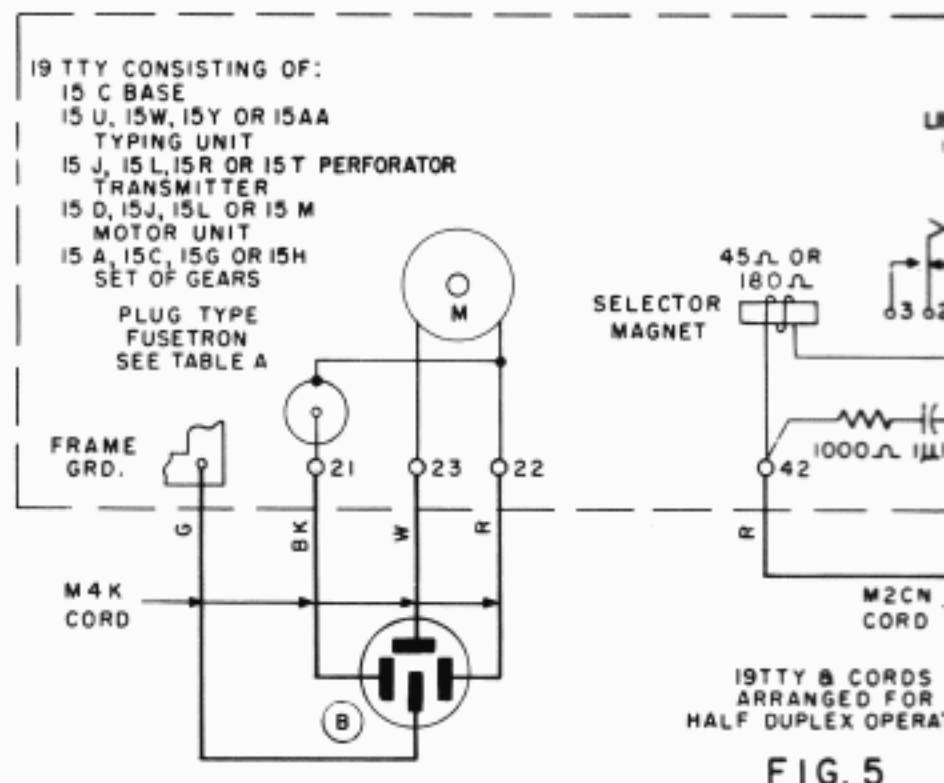
SUB. SET CONN HDX - 20MA. LOOP

FIG. 2

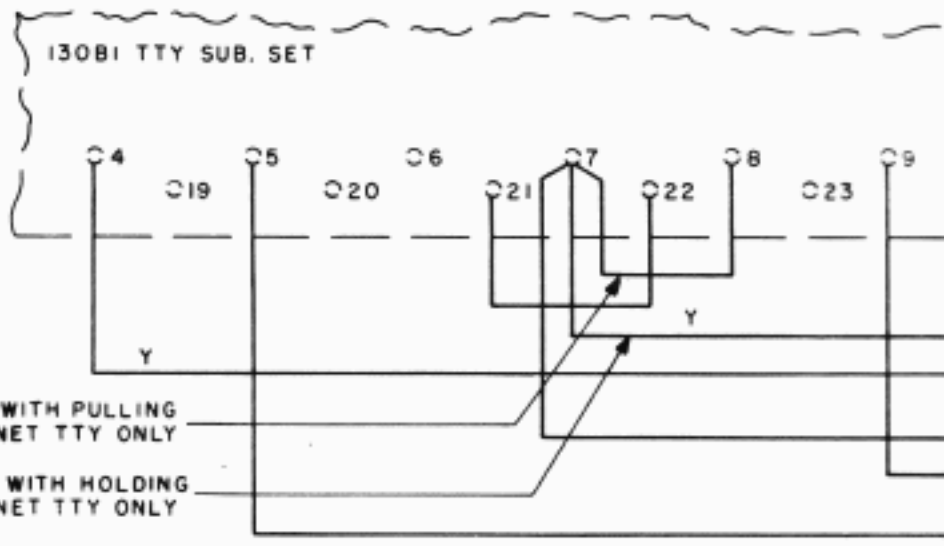




**FIG. F**  
WITHOUT "NO CARRIER INDICATION"

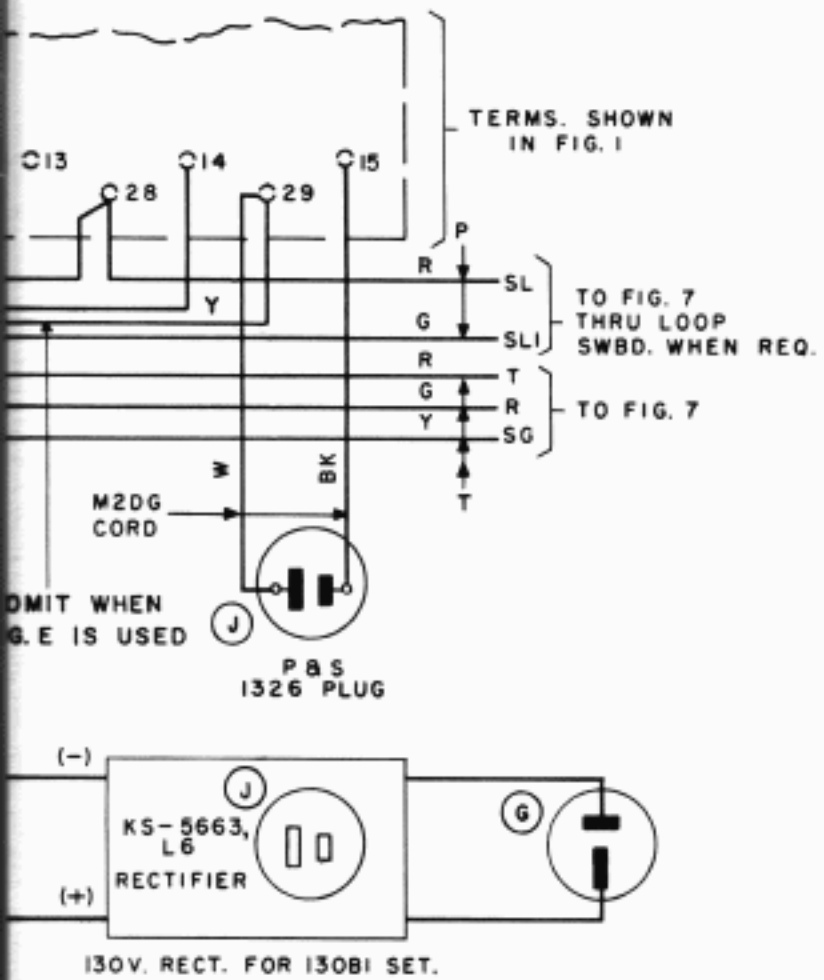


**FIG. 5**

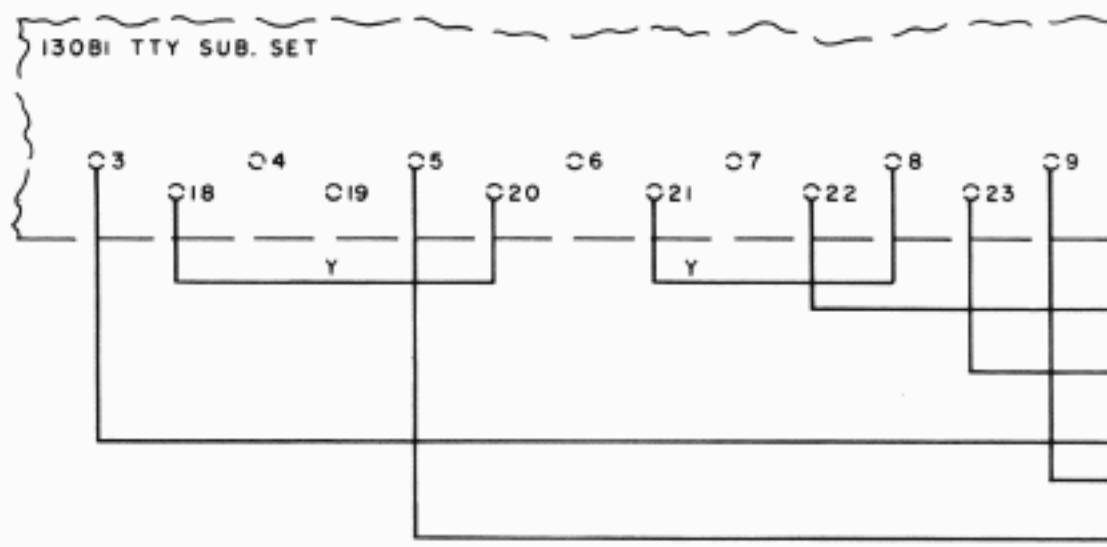


SUB. SET CONN. HDX-60MA LOOP

**FIG. 3**

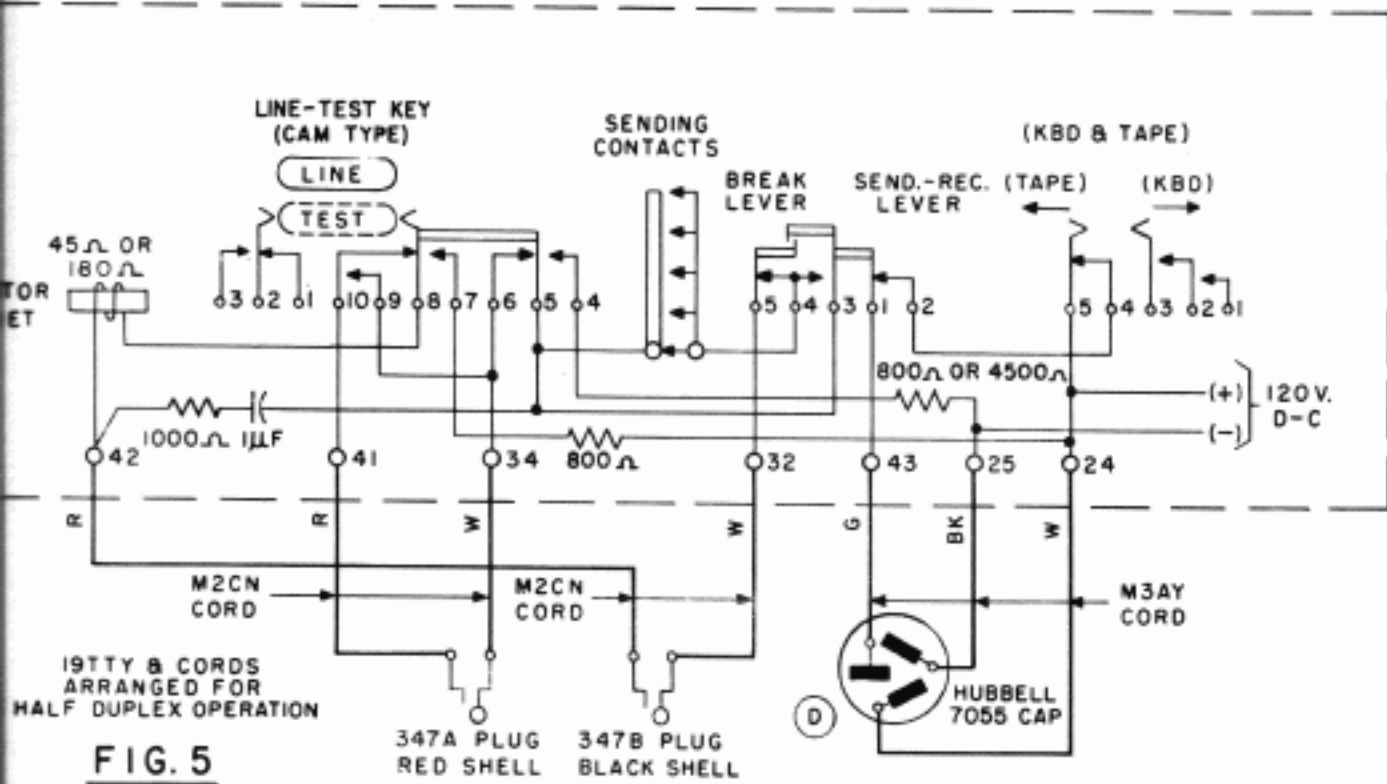


**FIG. 10**

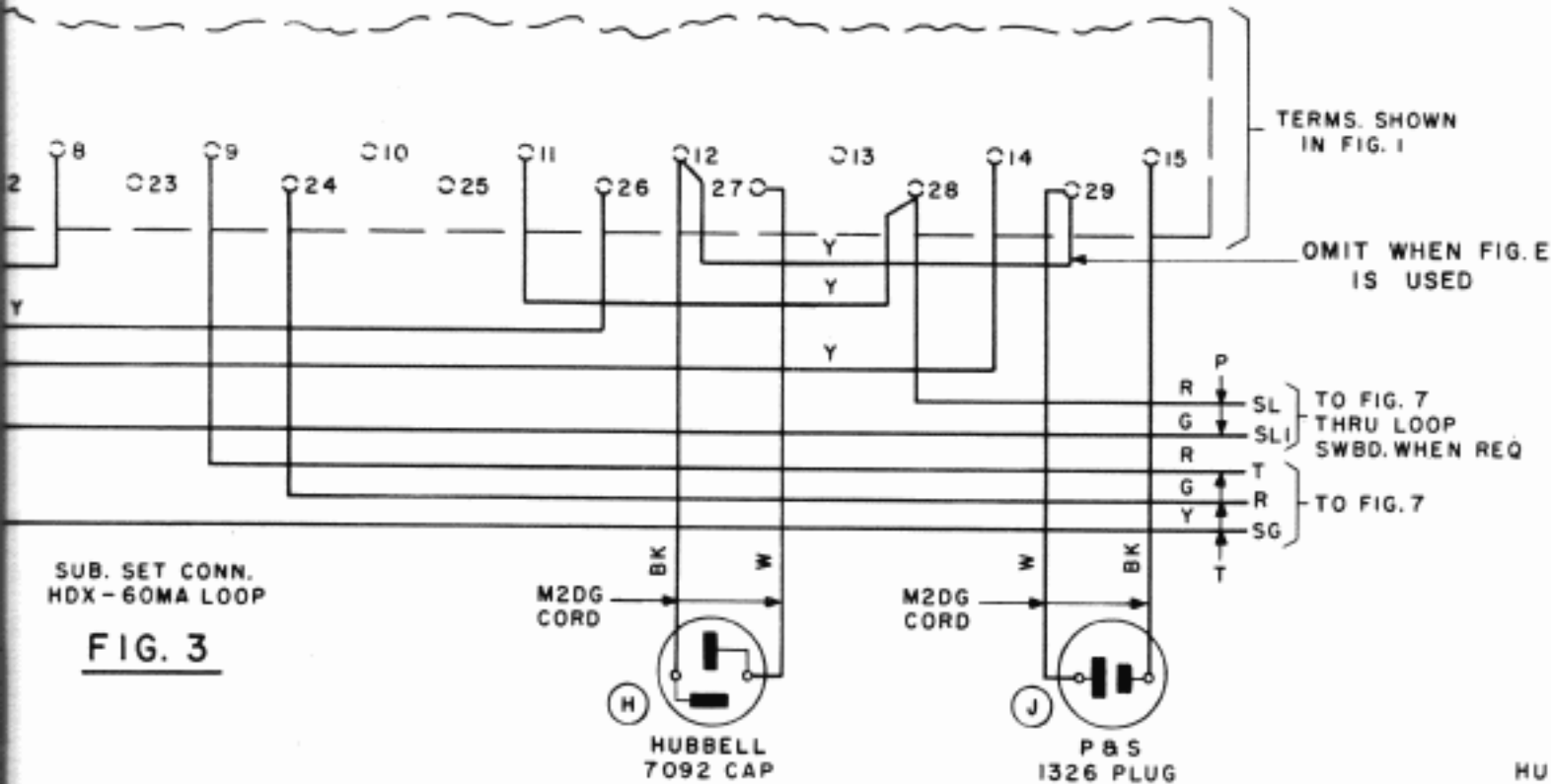
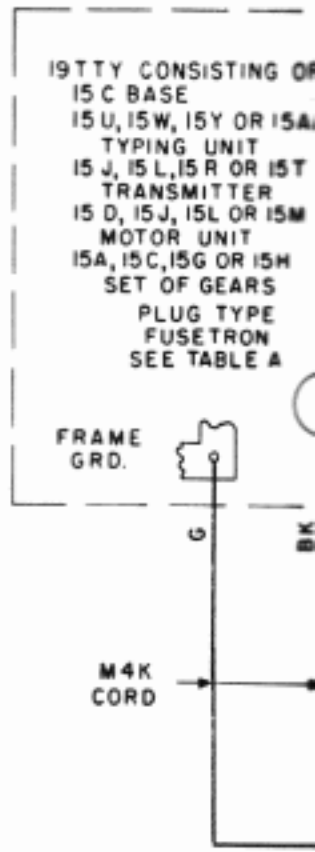


SUB. SET CONN. HDX-20MA LOOP

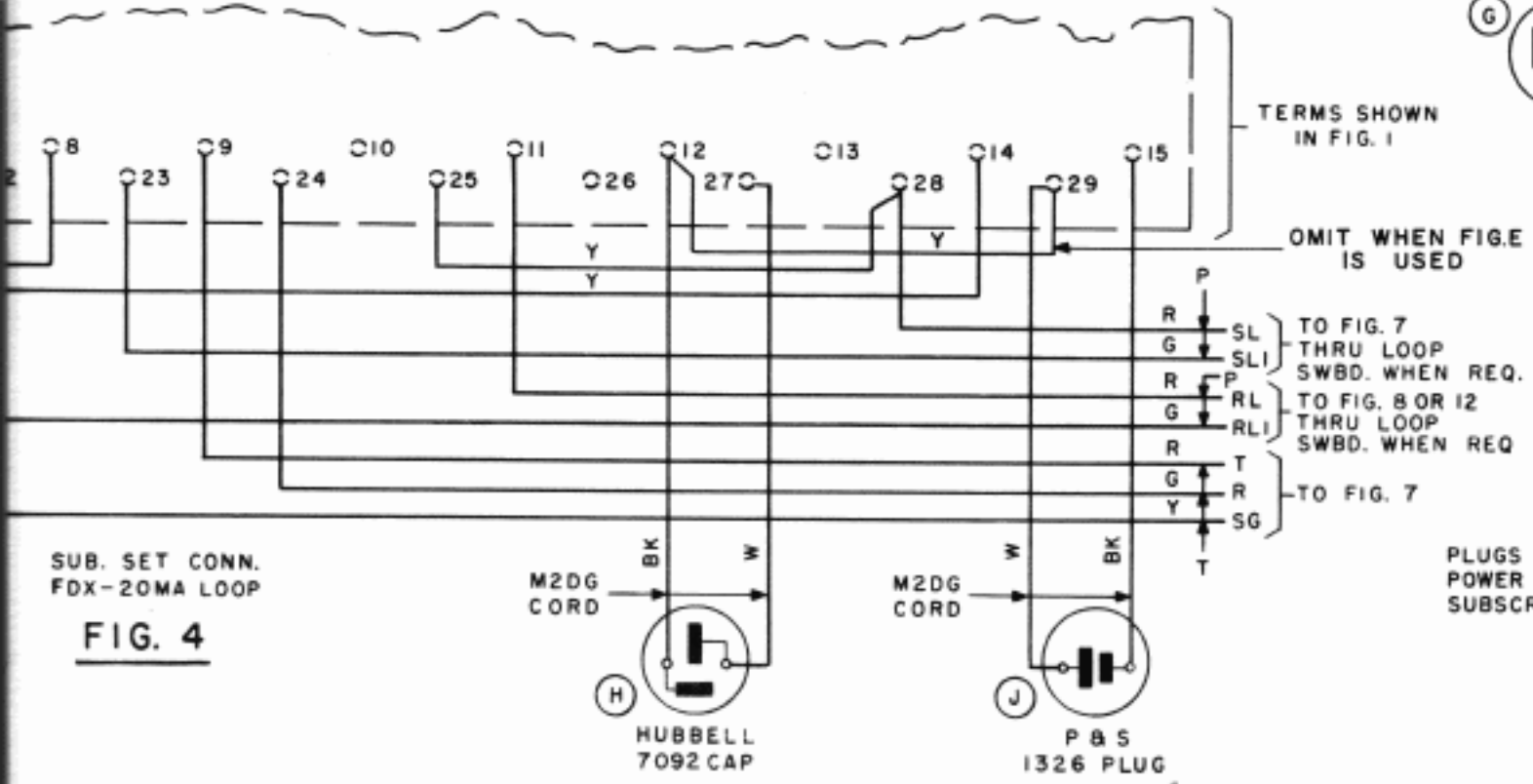
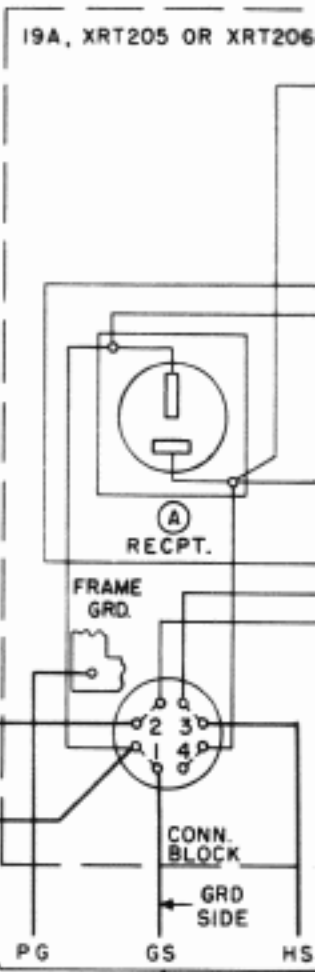
**FIG. 4**



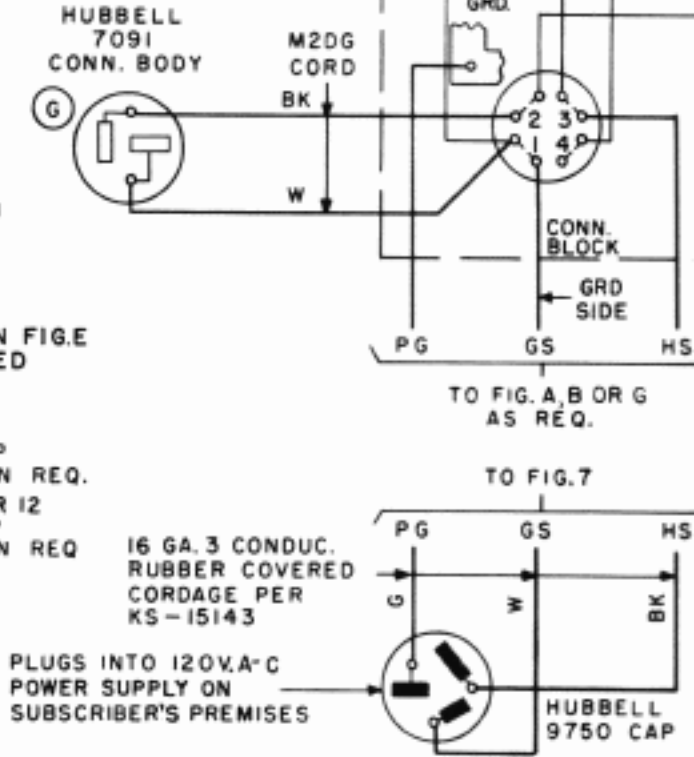
**FIG. 5**



**FIG. 3**

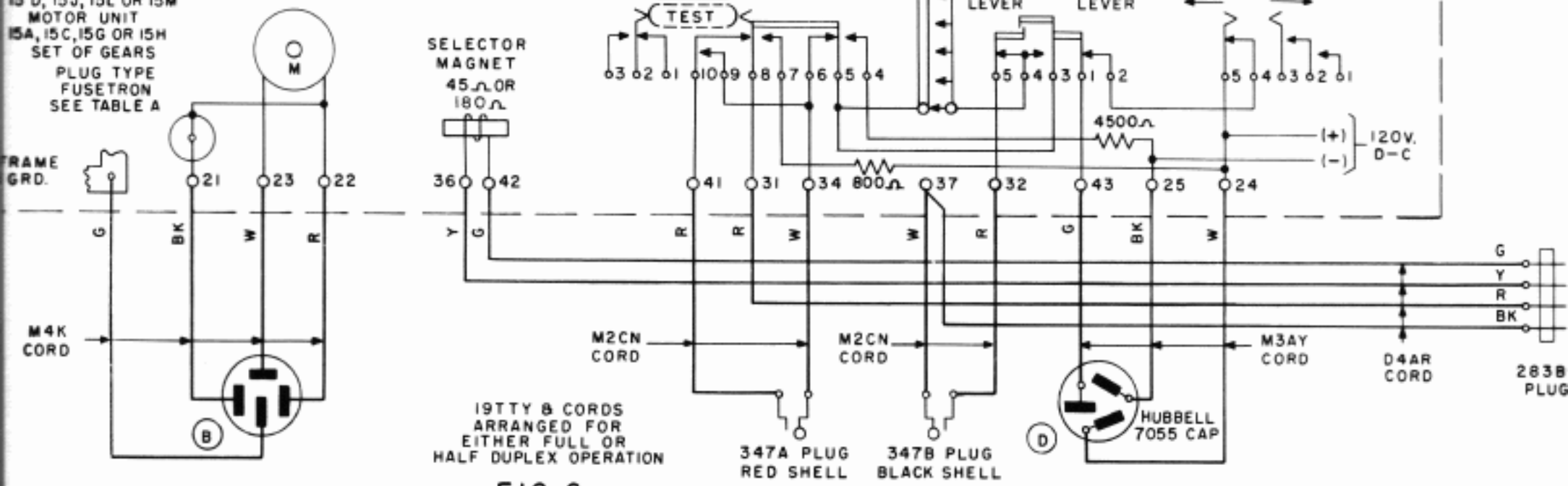


**FIG. 4**



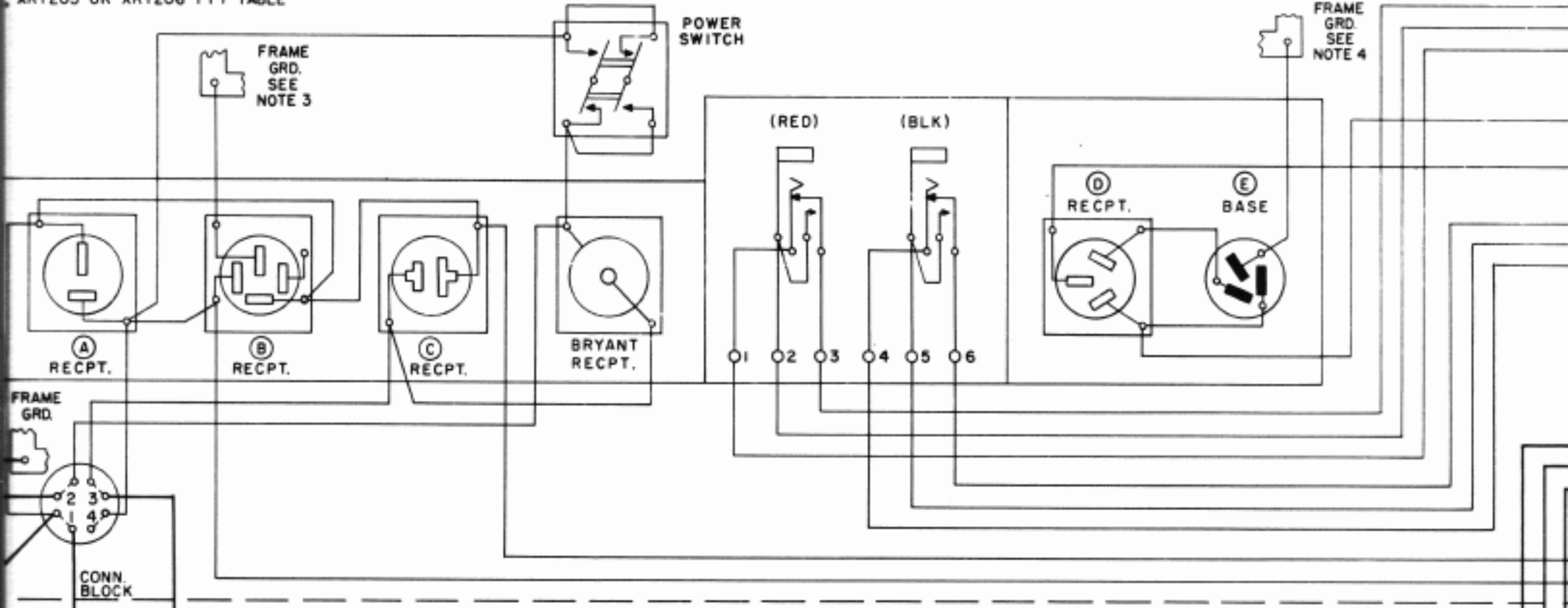
**FIG. B (MFR)**

TTY CONSISTING OF:  
 15 C BASE  
 15 U, 15 W, 15 Y OR 15 AA  
 TYPING UNIT  
 15 J, 15 L, 15 R OR 15 T PERFORATOR  
 TRANSMITTER  
 15 D, 15 J, 15 L OR 15 M  
 MOTOR UNIT  
 15 A, 15 C, 15 G OR 15 H  
 SET OF GEARS  
 PLUG TYPE  
 FUSE TRON  
 SEE TABLE A



**FIG. 6**

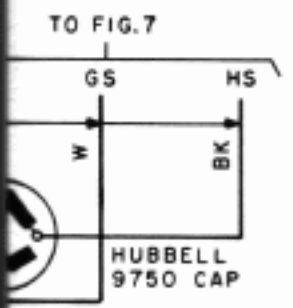
XRT205 OR XRT206 TTY TABLE



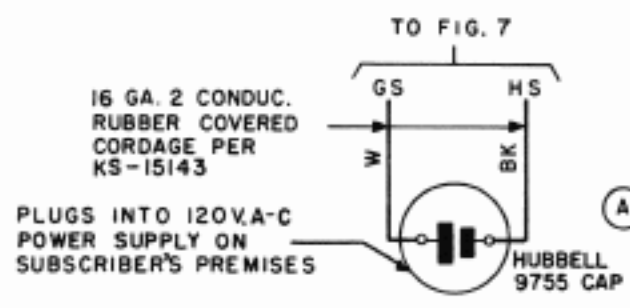
19A, XRT205 OR XRT206 TTY TABLE

**FIG. 7**

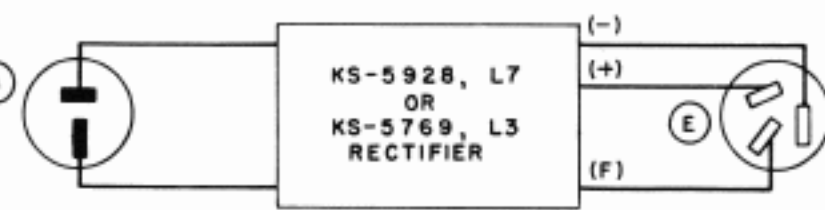
TO FIG. A, B OR G AS REQ.



**FIG. B (MFR DISC.)**

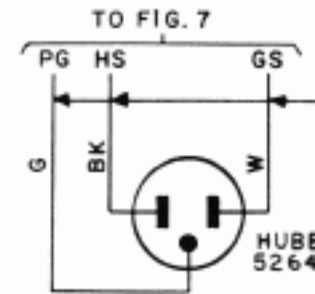
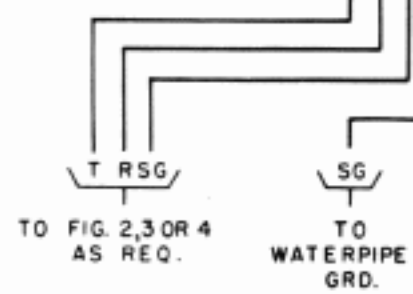


**FIG. A**

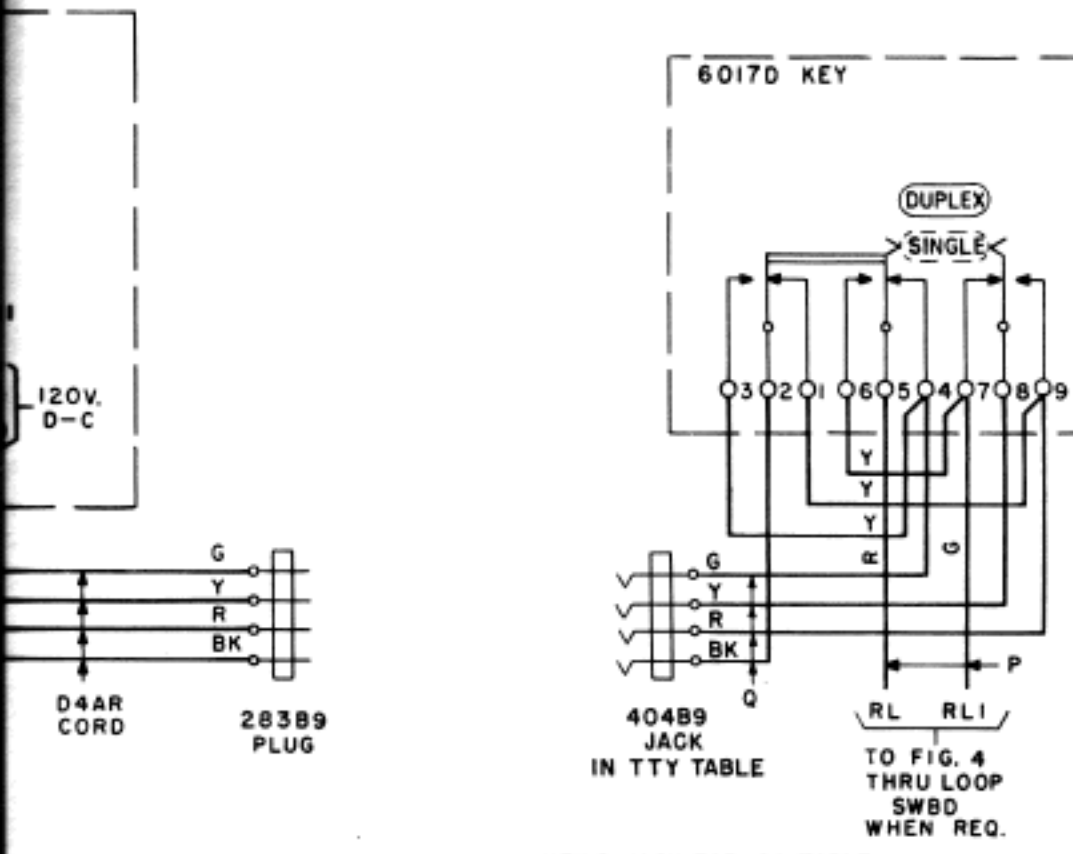


130V. RECT. FOR 19 TTY SET.

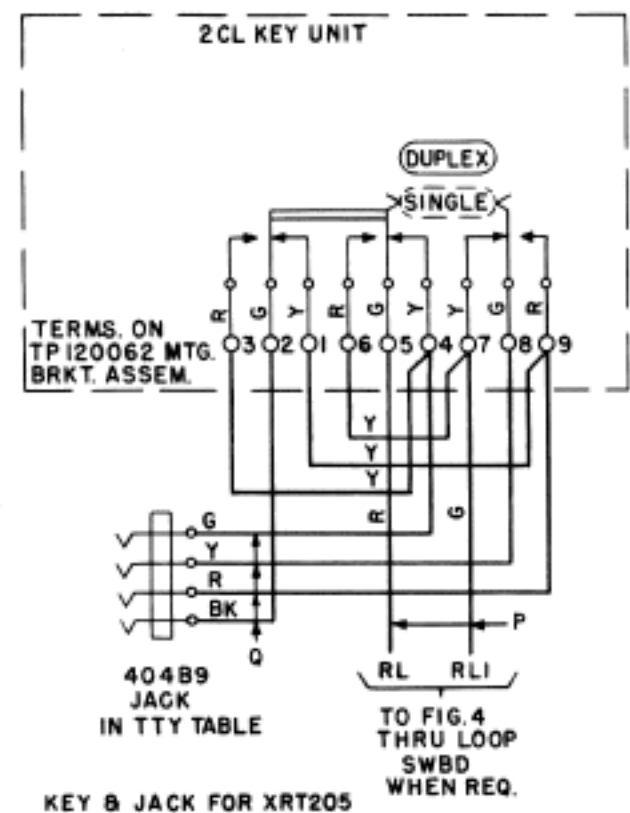
**FIG. 11**



**FIG. G**



KEY B JACK FOR 19A TABLE  
**FIG. 8**



KEY B JACK FOR XRT205 OR XRT206 TTY TABLE  
**FIG. 12**

MOTOR	FUSETRON
A-C SYNCH	T3.2
A-C SER.	T1.6

**TABLE A**

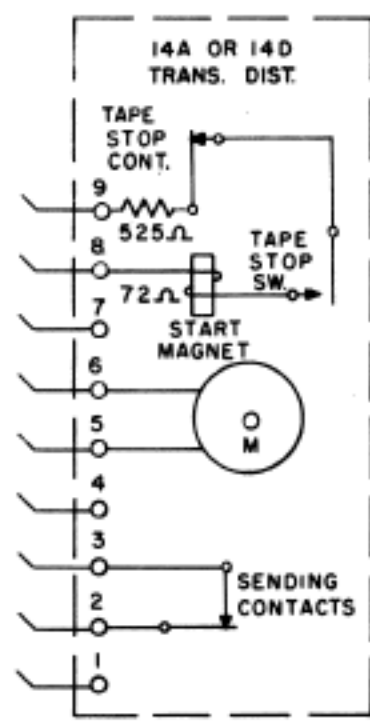
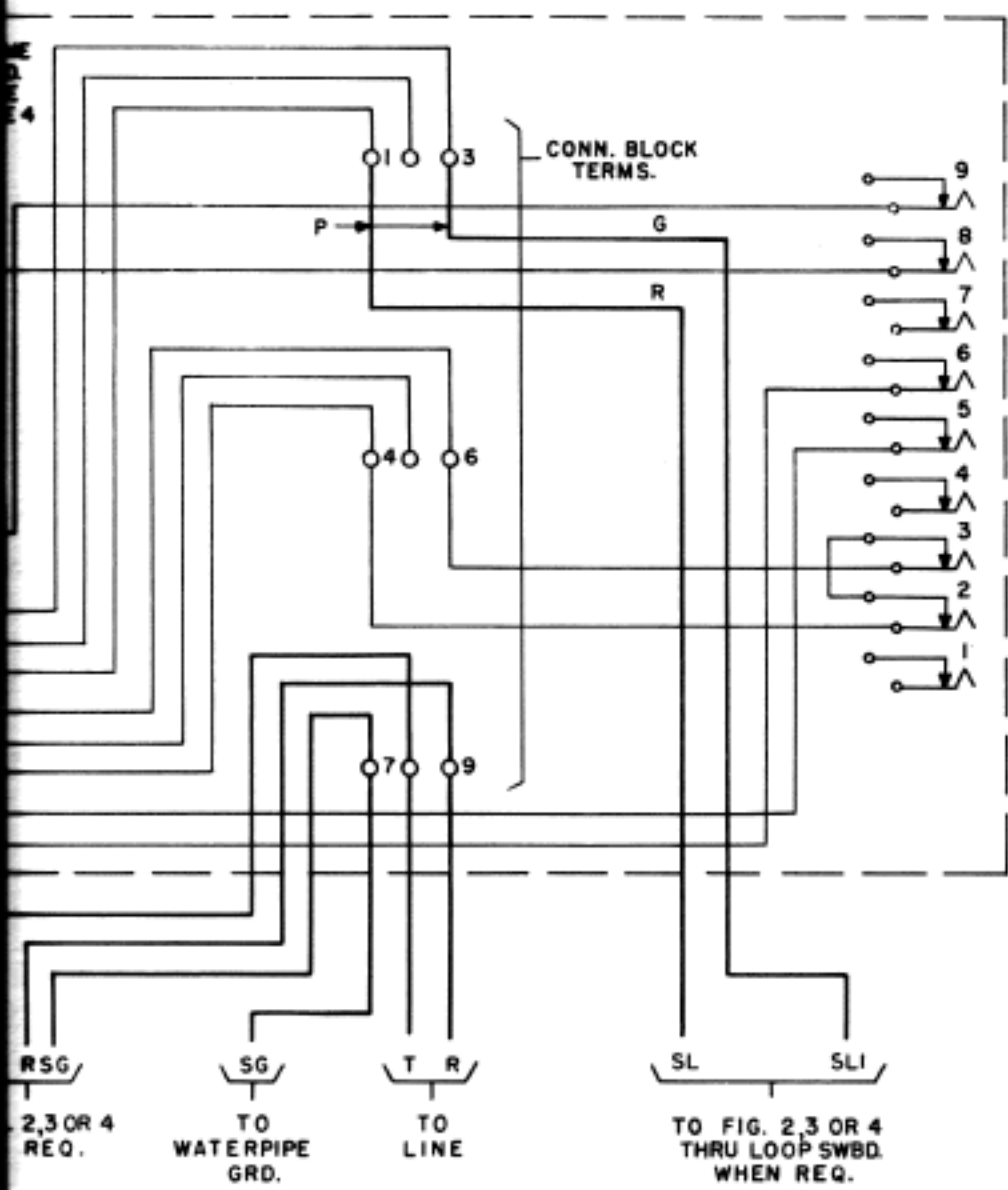
"M" PLANS USED	
M2.06 *	
M3.04 *	
M2.52 *	

\* WHEN REQUIRED

**TABLE B**

LINE IMPEDANCE	STRAP TERMINALS
0-400Ω	1 & 2
400-800Ω	2 & 16
OVER 800Ω	2 & 17

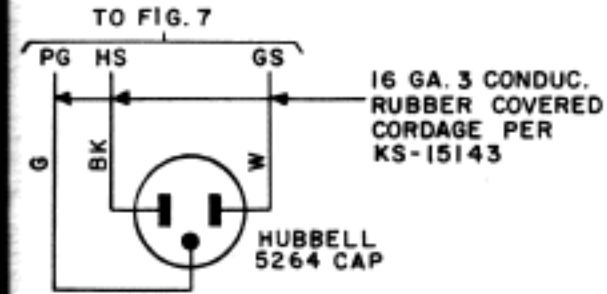
**TABLE C**



**FIG. 9**

NOTES:

- UNLESS OTHERWISE SPECIFIED ALL COLORED LEADS SHALL BE 22GA. BROWN, TYPE GS STATION WIRE PER AT & T CO SPEC. 7089.
- WHEN FIG. C IS USED STRAP TERMS. 1, 2, 16 & 17 OF 130B1 SET AS COVERED IN TABLE C.
- THE RADIAL TERMINAL OF RECEPTACLE B IN 19A TABLE IS CONNECTED TO FRAME GROUND THROUGH THE RECEPTACLE MOUNTING STRAP.
- IN CASE BASE E IN 19A TABLE IS NOT CONNECTED TO SWITCH BOX FRAME, A GROUNDING SCREW SHALL BE ADDED IN RIGHT SIDE OF BOX AND A BLACK 18RF32 LEAD RUN FROM THIS SCREW TO RADIAL TERMINAL OF BASE.



WITH PROT GRD  
**FIG. G**

130B1 TTY SUB SET  
PRIVATE LINE SERVICE  
19 TTY SET ON 19A, XRT205  
OR XRT206 TTY TABLE