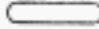


NOTES

- ① WIRES NOT OTHERWISE SPECIFIED ARE N.E.C. CODE WIRE 14 GA. TYPE R.
- ②  DENOTES FLEXIBLE CONDUIT.
- ③ P DENOTES PAIR.
- ④ T DENOTES TRIPLE.
- ⑤ ELECTRICAL FITTINGS ARE VIEWED FROM SLOT OR PRONG SIDE.
- ⑥ THE TABLES ARE FURNISHED BY THE MANUFACTURER PER FIGURES 1 AND A WITH THE LEAD DESIGNATED "C" TERMINATED AT TERMINAL 8 OF THE TRANS.-DIST. AND TAPED.
- ⑦ EITHER ONE OF THESE LEADS SHALL BE DISCONNECTED AND TAPED WHEN THE TELETYPEWRITER SUBSCRIBER SET USED SO REQUIRES.

- ⑧ USE FIGURES A, B OR C AS REQUIRED.
- ⑨ THE 1708 RECEPTACLE SHALL BE EQUIPPED WITH A FUSE AS REQUIRED.
- ⑩ LETTERS IN CIRCLES ARE FOR REFERENCE ON
- ⑪ APPLY PLAN PM 2.07 FOR TYPING REPERF
- ⑫ IF M-G OR RECTIFIER IS USED ALONE PROVIDE OTHERWISE PROVIDE 1FT. CORD FOR M-G AND 3 FOR RECTIFIER.
- ⑬ INTERCHANGE RED AND WHITE WIRES IF TABLE IS TO CONTROL ALL APPARATUS ON TABLE. AS SHOWN, TABLE SWITCH CONTROLS NO. 19 BASE SWITCH CONTROLS TYPING REPERFOR.
- ⑭ REPRODUCED FROM DWG. 20610-113.

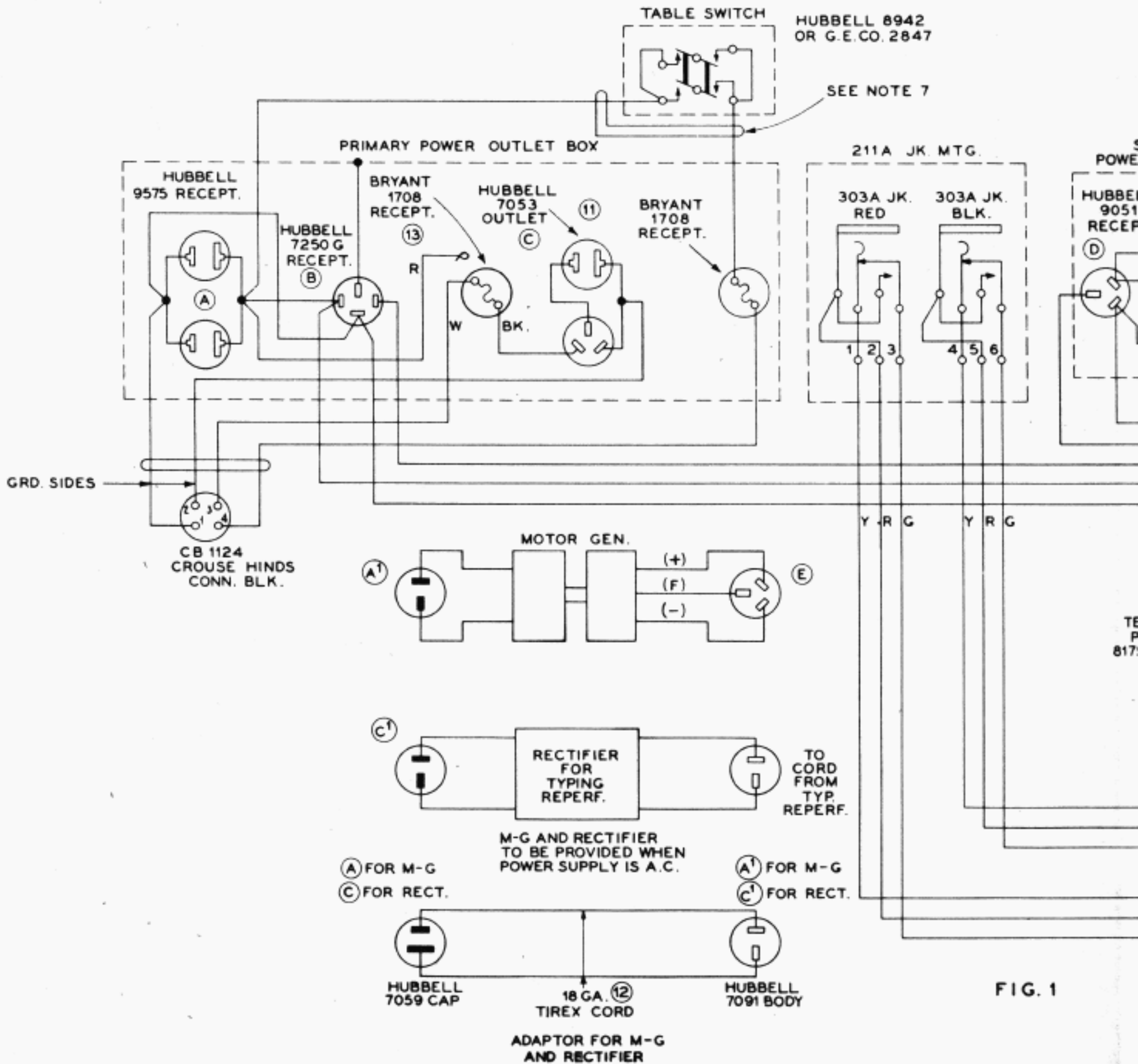


FIG. 1

Dist. Class. 600AC

ED.
EQUIPPED WITH
REFERENCE ONLY.
ING REPERFORATOR.
PROVIDE 1FT. CORD,
M-G AND 3FT. CORD
ES IF TABLE SWITCH
N TABLE. IN WIRING
DLS NO. 19 AND
REPERFORATOR.

FIG. C
D.C. POWER
UNGROUNDING OR
(-) SIDE GROUNDED

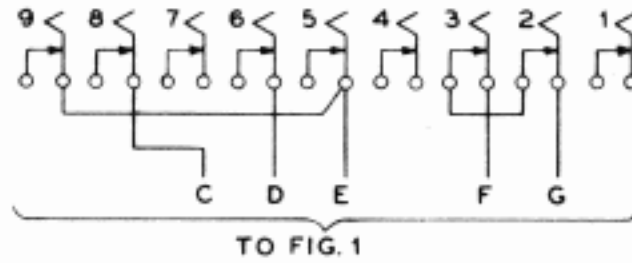


FIG. B
D.C. POWER
(+) SIDE GROUNDED

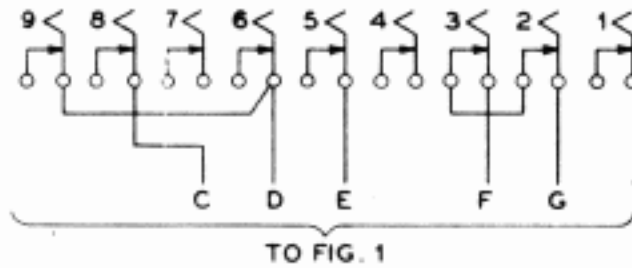
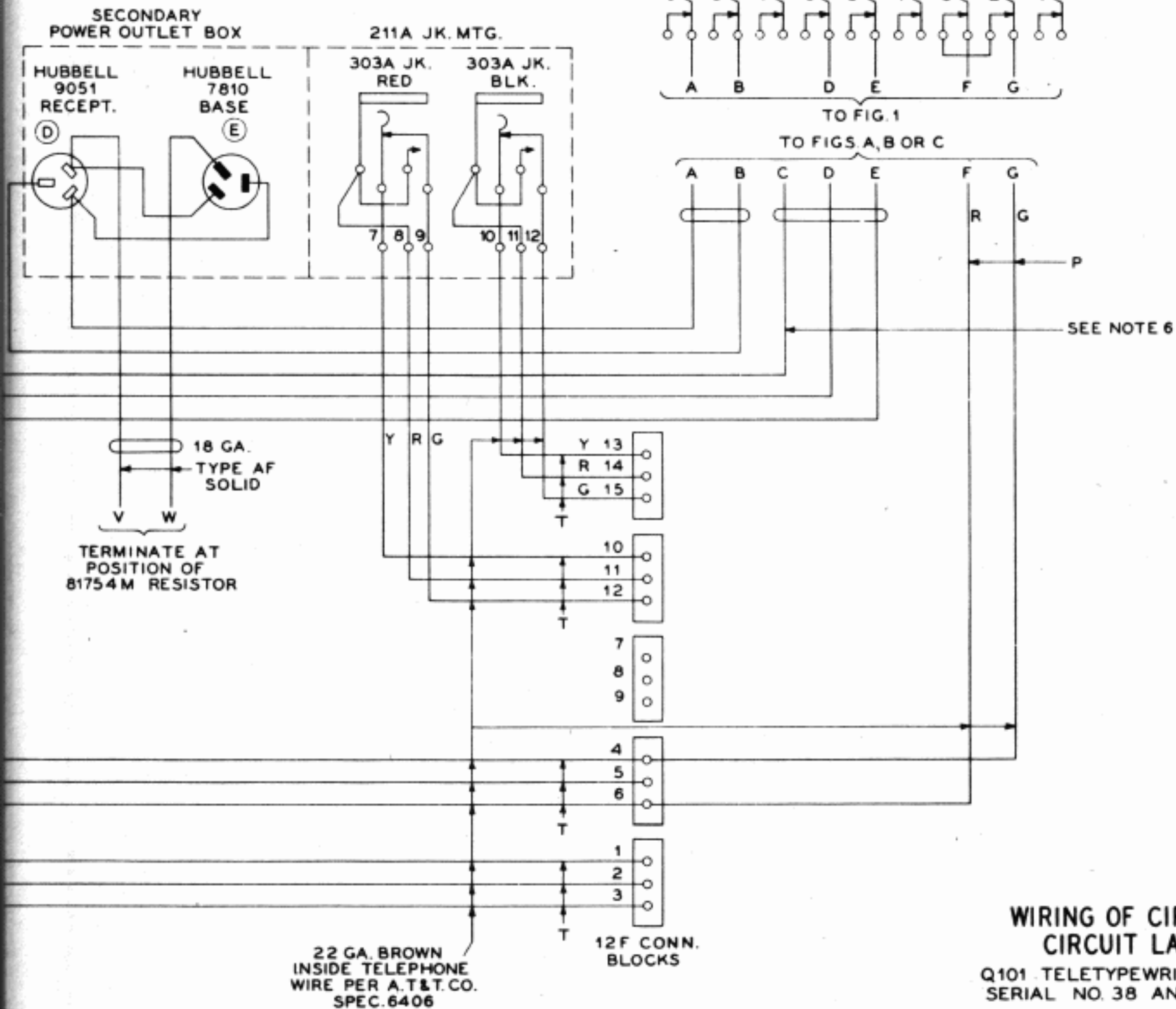
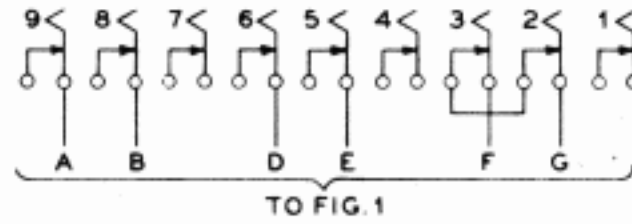


FIG. A
A.C. POWER



WIRING OF CIRCUITS
CIRCUIT LABEL

Q101 TELETYPEWRITER TABLE
SERIAL NO. 38 AND UPWARD