

FIG. 1

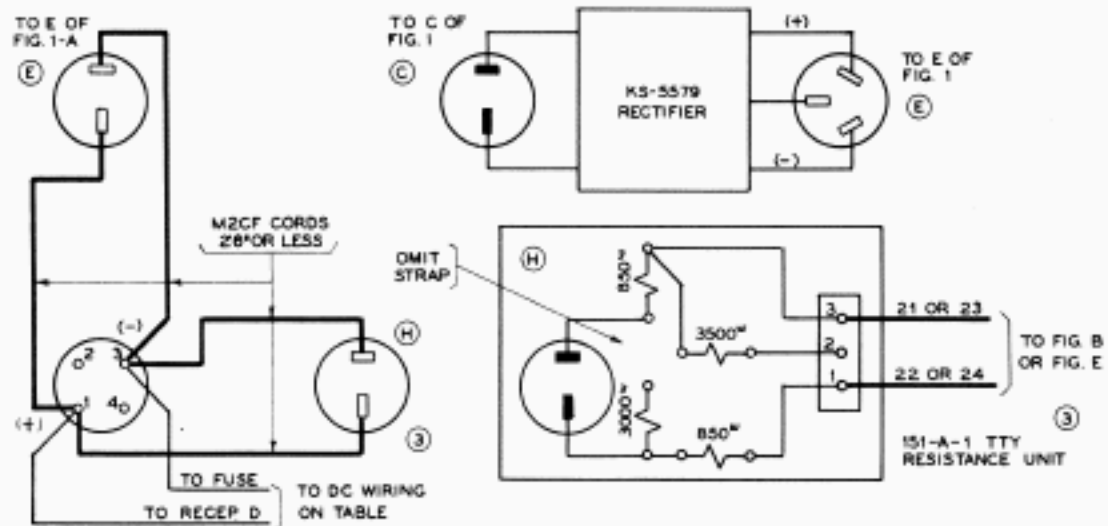
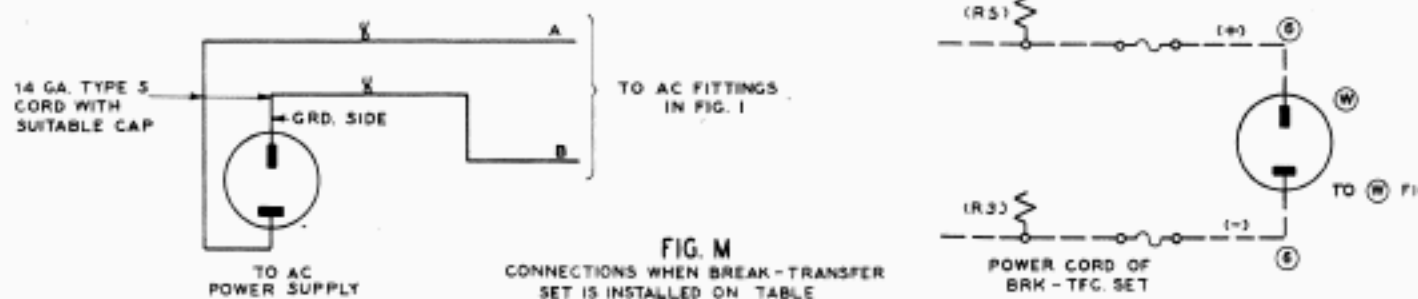


FIG. 2
DC CONNECTION FOR PONY CKTS. ONLY
AC CONNECTION AS IN FIGS. 1, 1-A AND A

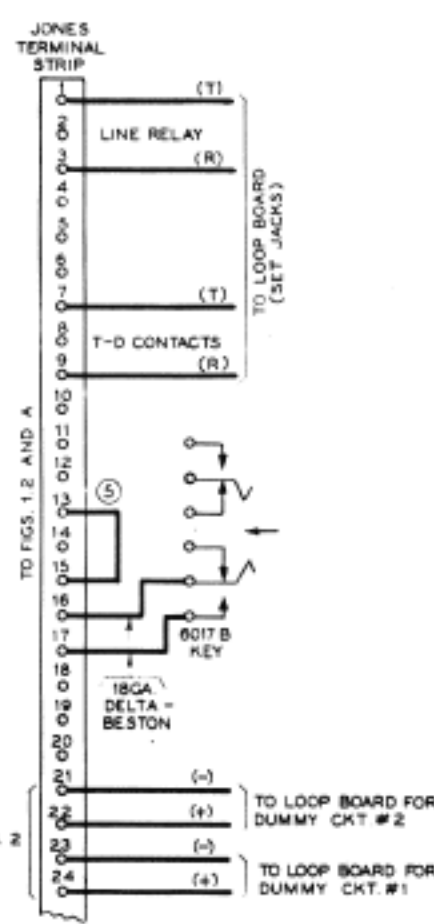
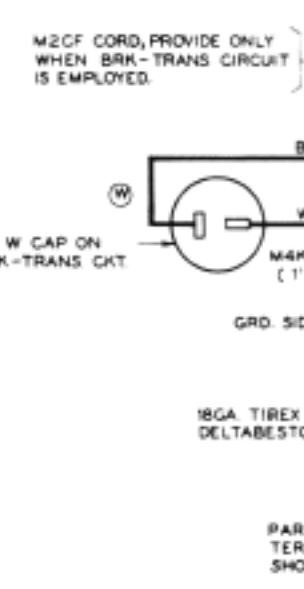
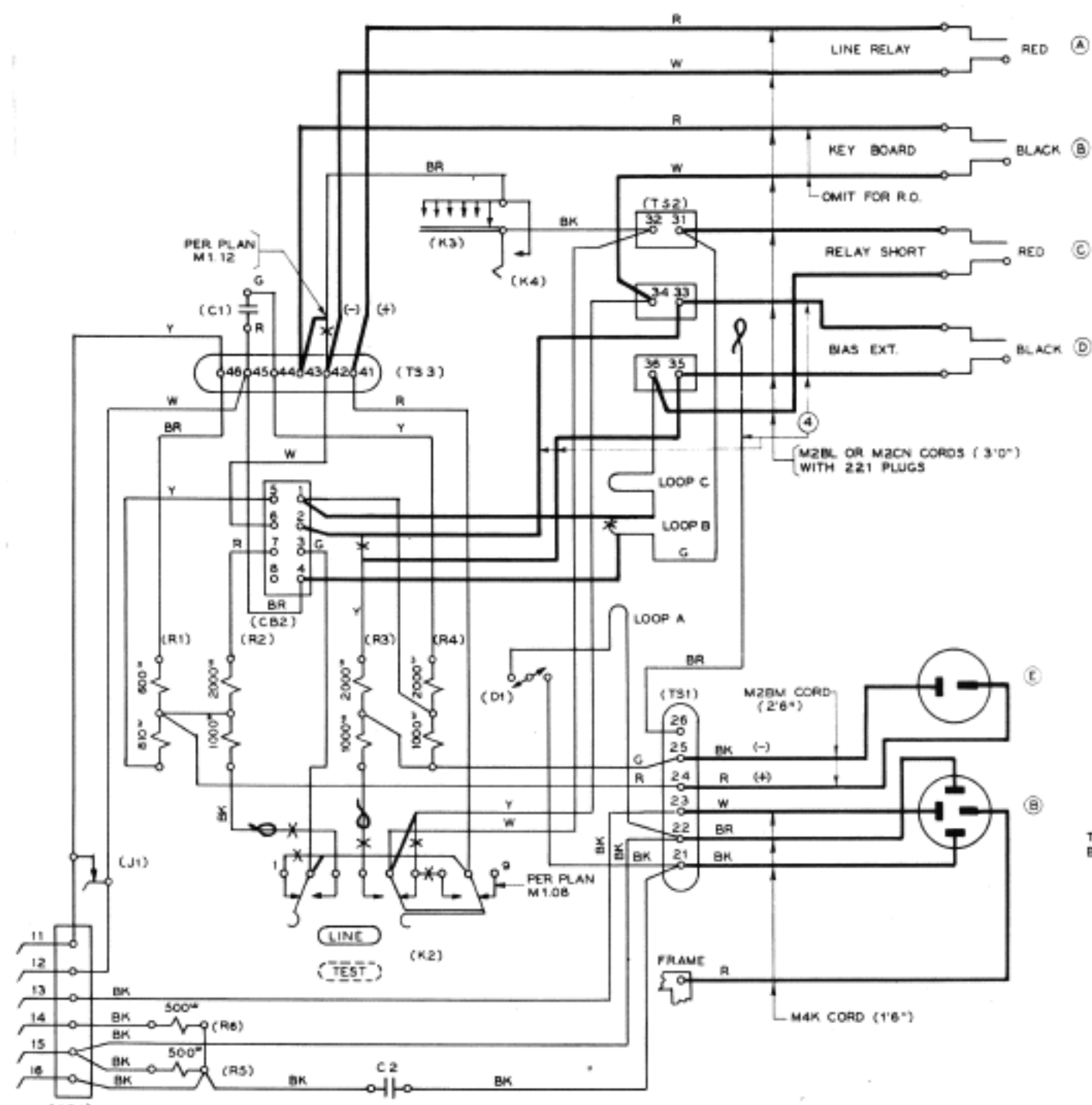
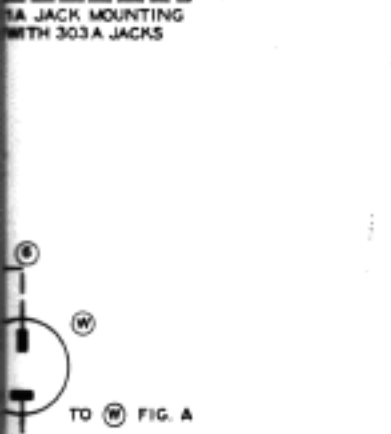
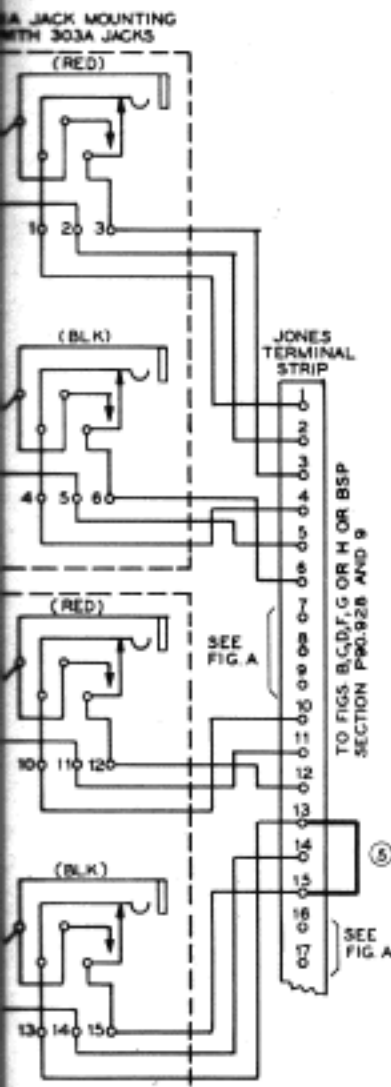


FIG. B
ROOM CIRCUIT
NO BREAK TRANSFER CIRCUIT
DUPLEX OPERATION

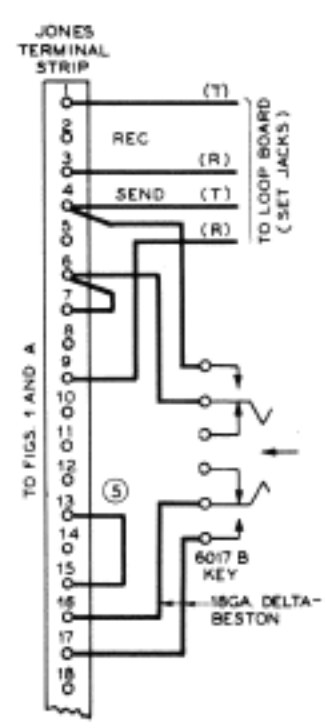


FIG. C
DUPLEX OPERATION
NO BREAK TRANSFER CIRCUIT

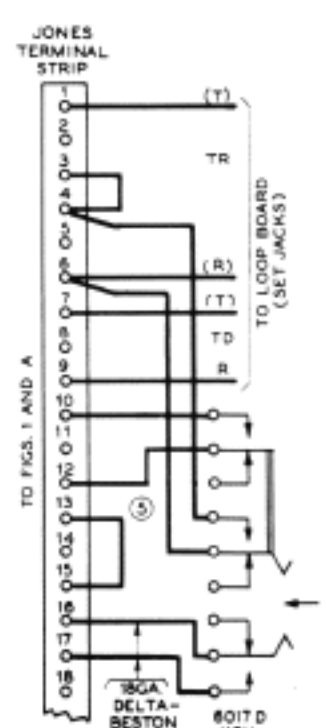


FIG. D
SINGLE OPERATION
NO BREAK TRANSFER CIRCUIT

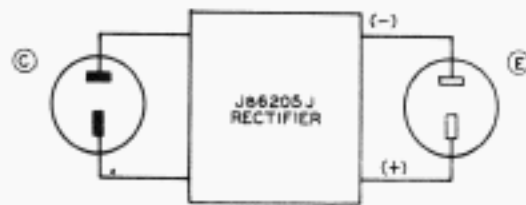


FIG. 1-B

NOTES

- 1 IF AC GROUSE HINDS CONN. BLOCK INTERFERES WITH BREAK-TRANSFER CABINET REMOVE SAME AND SPLICE POWER LEADS AS SHOWN OTHERWISE CONNECT POWER TO C-H CONN. BLK.
- 2 IF DC GROUSE HINDS CONN. BLOCK INTERFERES WITH BREAK-TRANSFER CIRCUIT REMOVE SAME, TAPE WIRES SEPARATELY AND FORCE BK BACK OF POWER PANEL.
- 3 PROVIDE A 151-A-1 TTY RESIS. UNIT AND AN M2CF CORD FOR EACH DUMMY CIRCUIT.
- 4 ARRANGE MACHINES TO EXTEND THE BALS CIRCUITS ONLY WHEN THERE IS A DUAL SERVICE IN THE STATION WITH TWX OPERATED AT 20 MILS. AND IT IS DESIRED TO MAKE ALL UNITS INTERCHANGEABLE.
- 5 STRAP TERMS. 13+15 ONLY WHEN NOTE 4 IS APPLICABLE.
- 6 DISREGARD POLARITY MARKINGS (+) AND (-) WHEN POWER SUPPLY IS A-C.

FOR SINGLE OPERATION WITHOUT BREAK CIRCUIT
USE FIGS. 1-1-A, 1-B, A AND D

FOR ROOM CIRCUIT WITHOUT BREAK CIRCUIT, SINGLE OPERATION
USE FIGS. 1-1-A, A, E AND 2

FOR ROOM CIRCUIT WITHOUT BREAK CIRCUIT, DUPLEX OPERATION
USE FIGS. 1-1-A, A, B AND 2

FOR DUPLEX OPERATION WITHOUT BREAK CIRCUIT
USE FIGS. 1-1-A, A, 1-B AND C

FOR SINGLE OR DUPLEX OPERATION WITH BREAK CIRCUIT PER BSP P90.930
USE FIGS. 1-1-A, 1-B, A AND FIG. 1-2 OR 3 OF BSP P90.928

FOR SINGLE OR DUPLEX DUAL OPERATION WITH BREAK CIRCUIT PER BSP P90.930
USE FIGS. 1-1-A, A, 1-B AND FIG. 1-2 OR 2 OF BSP P90.928

FOR SINGLE OPERATION WITH BREAK CKT. PER 20567-SD-33
USE FIGS. 1-1-A, 1-B, A AND F

FOR SINGLE-DUAL OPERATION WITH BREAK CKT. PER 20567-SD-33
USE FIGS. 1-1-A, 1-B, A, G, J AND K

KEY

- EXISTING WIRES
- ADDED WIRES
- X X REMOVED WIRES
- REMOVED AND TAPED

WIRES NOT OTHERWISE SPECIFIED SHALL BE 22 GA. BROWN INSIDE TELEPHONE WIRING.

FOR SINGLE-DUAL OR DUPLEX-DUAL OPERATION WITH BREAK CKT. PER 20567-SD-33
USE FIGS. 1-1-A, 1-B, A, H, J AND K

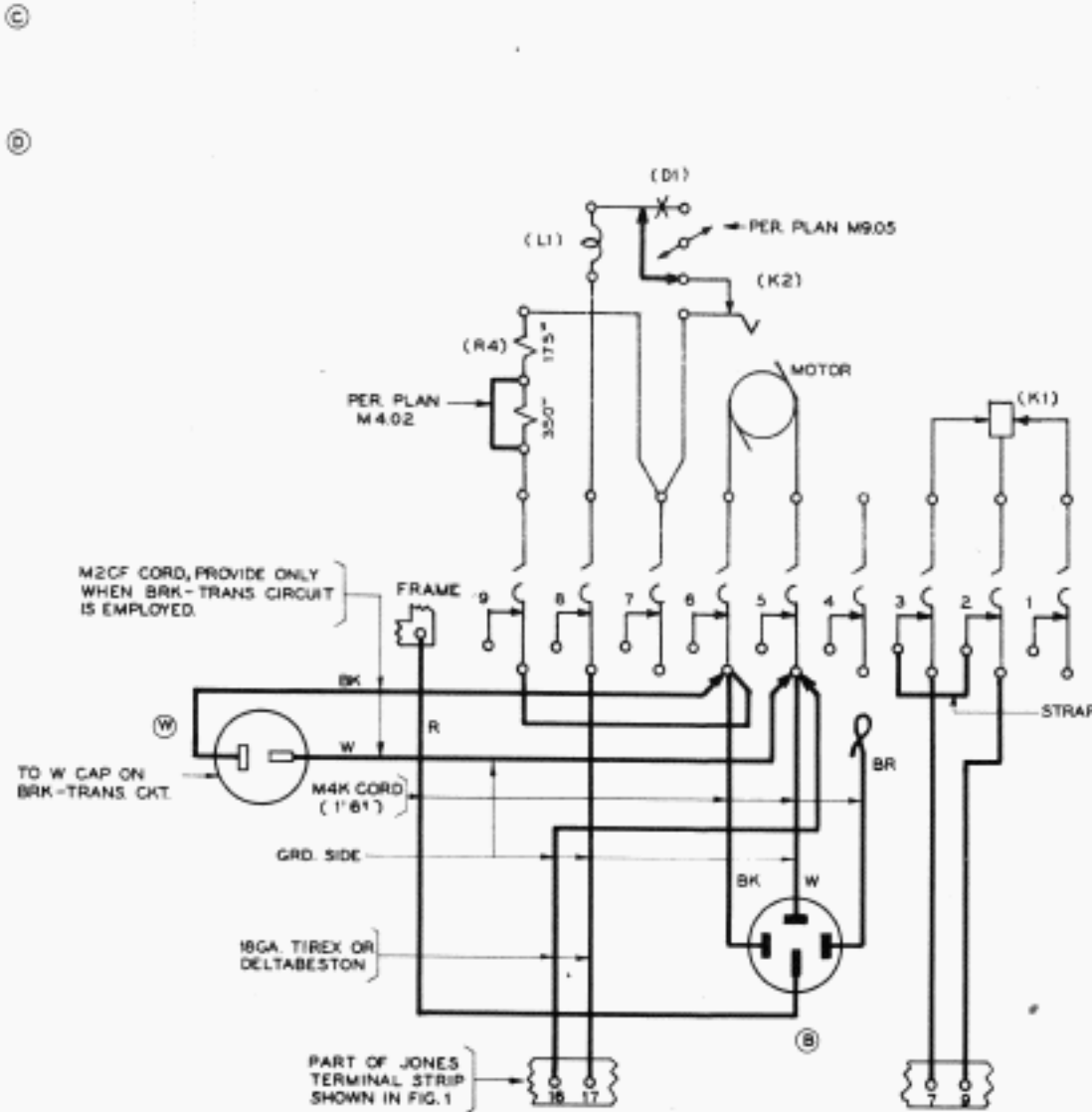


FIG. A

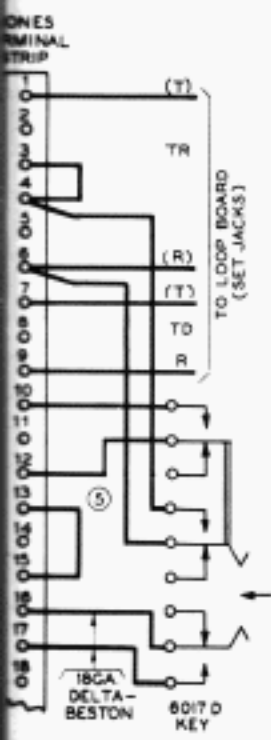


FIG. D
SINGLE OPERATION
BREAK TRANSFER CIRCUIT

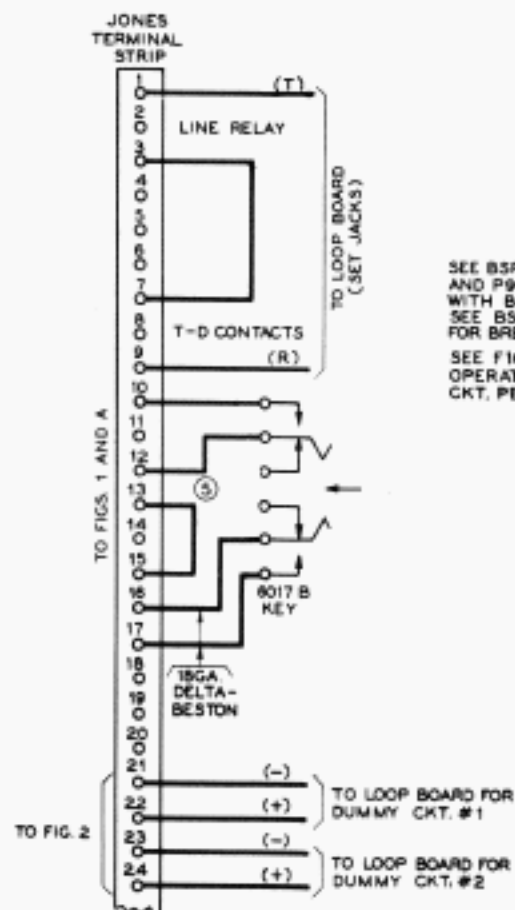


FIG. E
ROOM CIRCUIT
NO BREAK TRANSFER CIRCUIT
SINGLE OPERATION

SEE BSP SECTIONS P90.928 AND P90.929 FOR OPERATION WITH BREAK-TRANSFER CKT. SEE BSP SECTION P90.930 FOR BREAK-TRANSFER CIRCUIT. SEE FIGS. F, G AND H FOR OPERATION WITH BREAK-TRANSFER CKT. PER 20567-SD-33

TELETYPEWRITER SYSTEMS

Q102 TABLE
SINGLE DUPLEX OR DUAL OPERATION WITH OR WITHOUT BREAK-TRANSFER CIRCUIT
ROOM CIRCUIT WITHOUT BREAK-TRANSFER CIRCUIT
110 VOLT AC

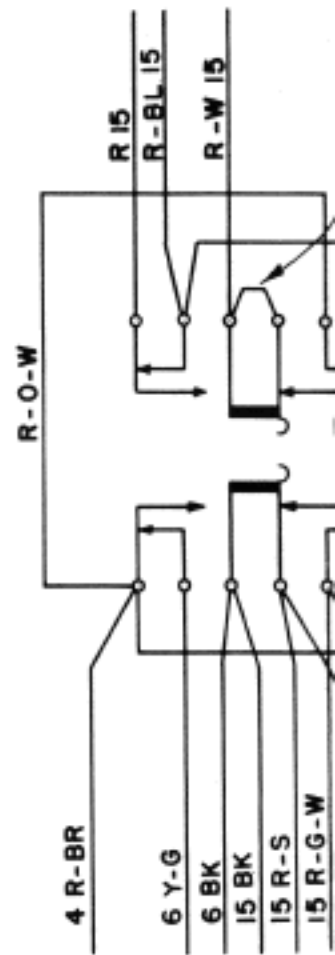
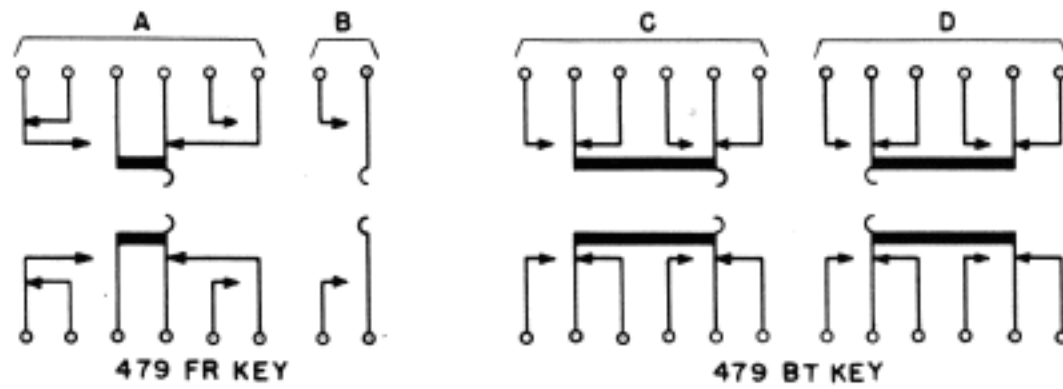


FIG. J
 MODIFIED PLS-TWX KEY
 (COMBINING PART "A" OF A 479 FR KEY AND PART "D" OF A 479 BT KEY)

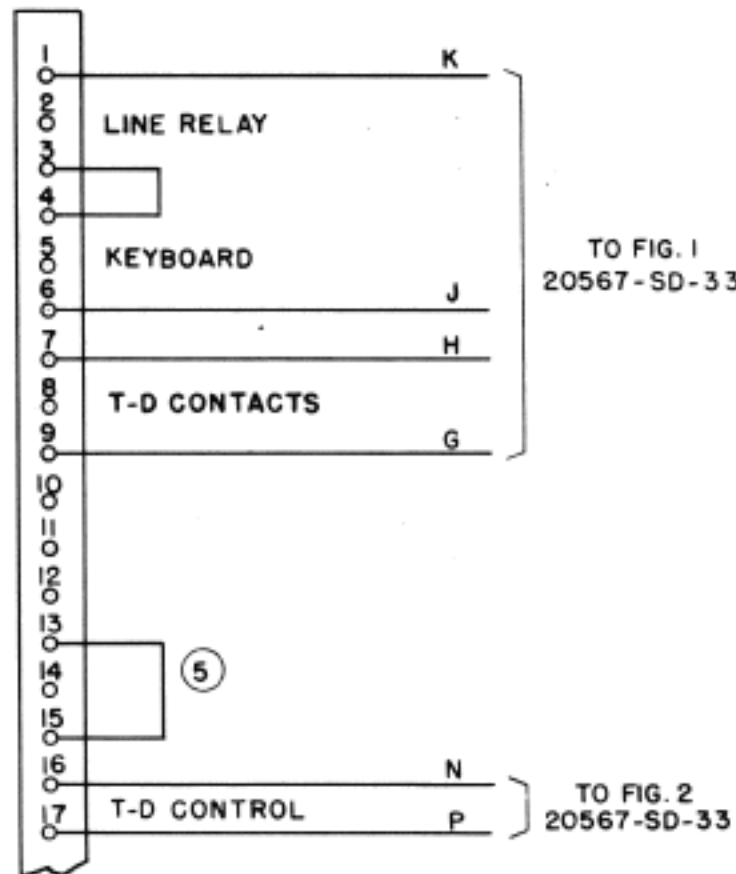


FIG. F
 SINGLE OPERATION
 BREAK-TRANSFER CIRCUIT
 PER 20567-SD-33

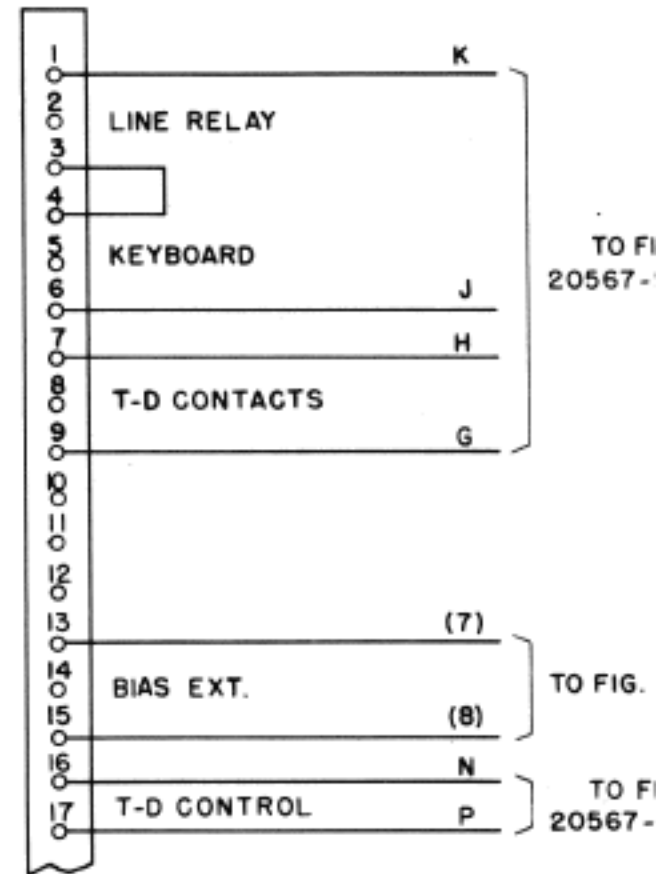
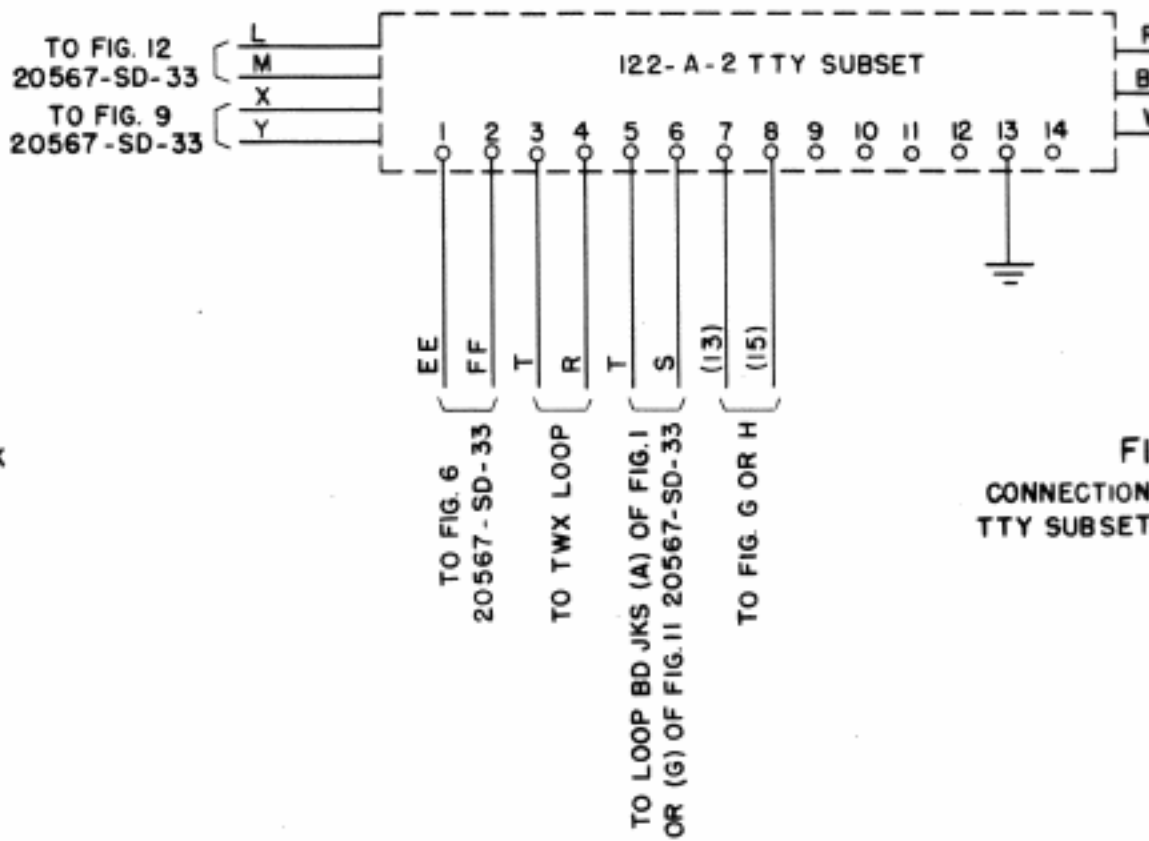
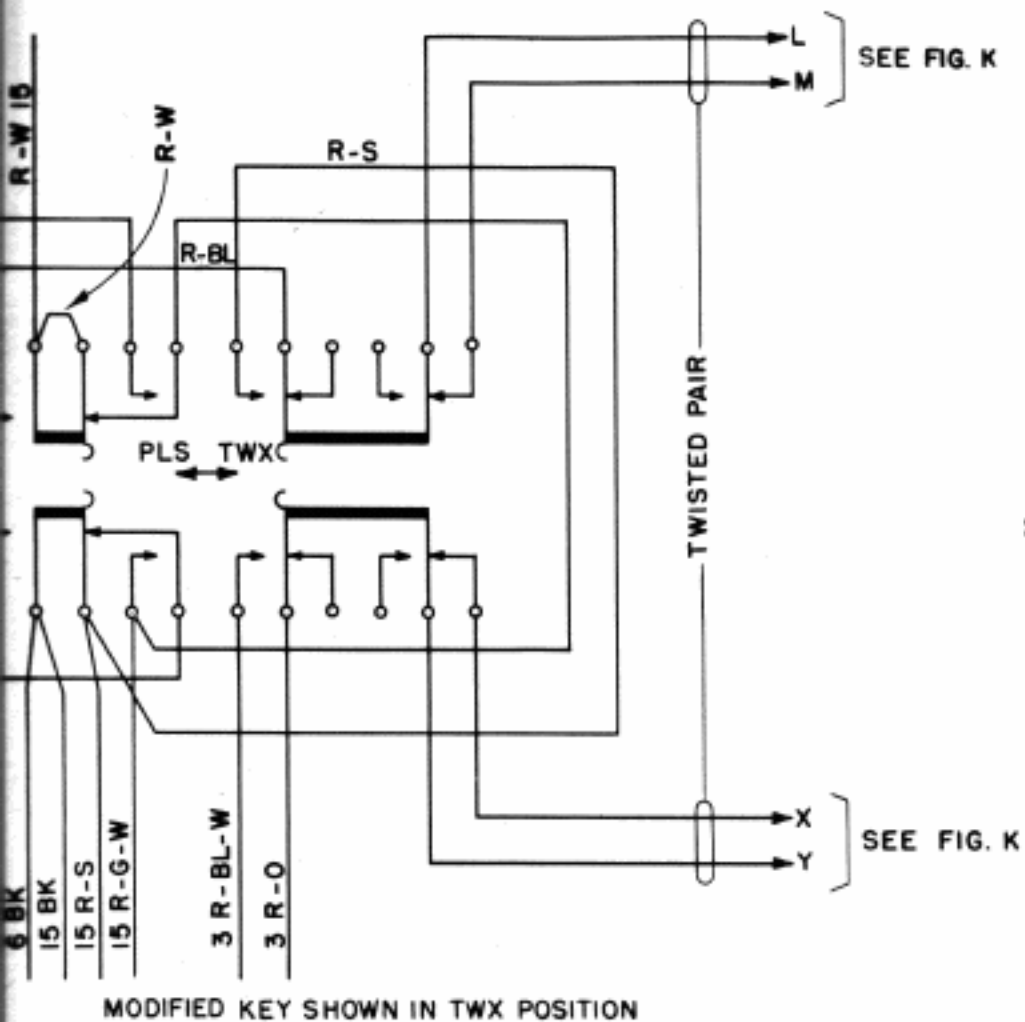


FIG. G
 SINGLE-DUAL OPERATION
 BREAK-TRANSFER CIRCUIT
 PER 20567-SD-33



OF A 479 BT KEY)

TO FIG. 1
20567-SD-33

TO FIG. K

TO FIG. 2
20567-SD-33

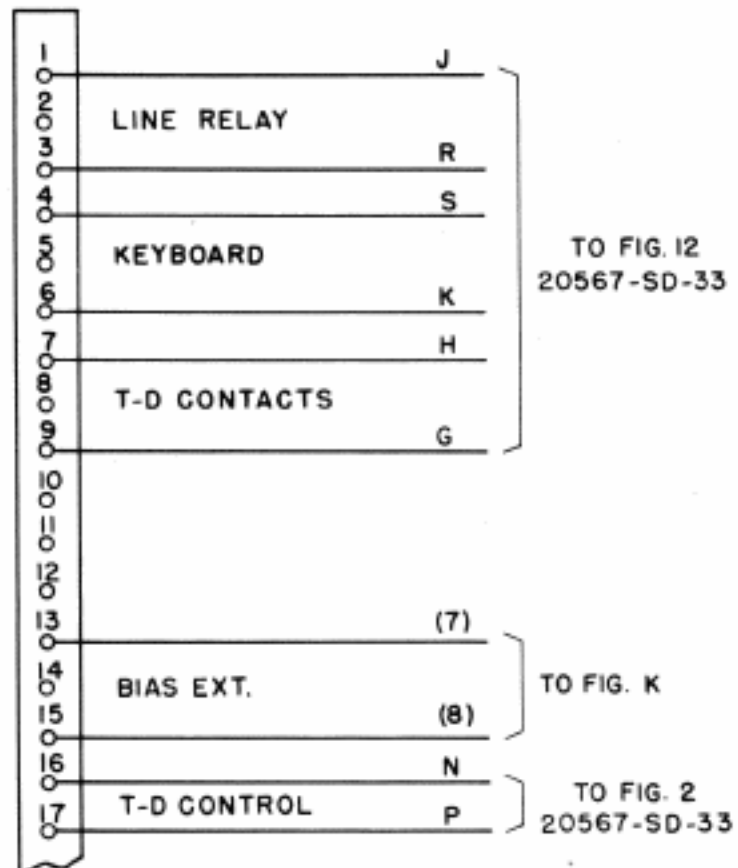


FIG. H
SINGLE - DUAL OR DUPLEX-DUAL
OPERATION WITH BREAK-TRANSFER CKT
PER 20567-SD-33

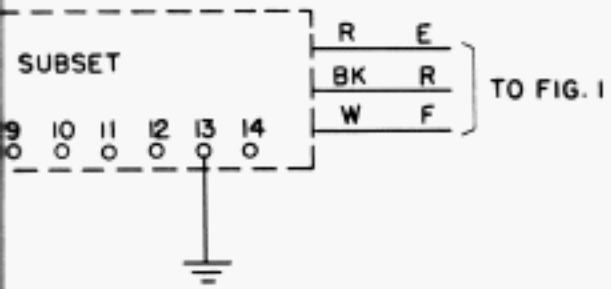


FIG. K
 CONNECTION OF 122-A-2
 TTY SUBSET FOR DUAL SVC.

SECTION P90.927

PAGE 2 OF 2 PAGES

Dist. Class. (L00AC
(600AC