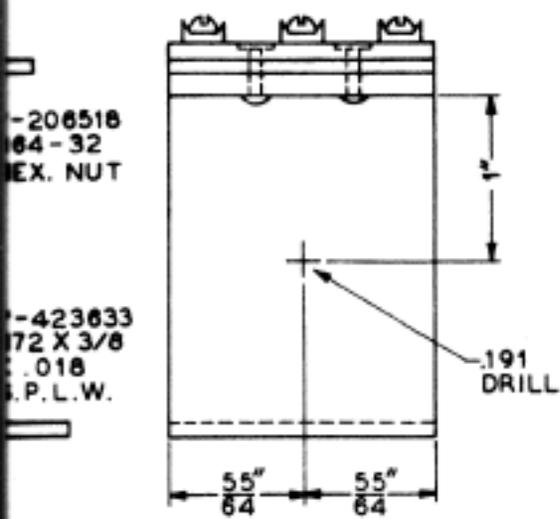
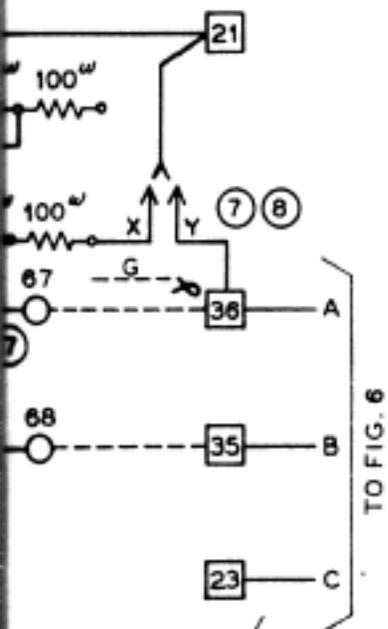
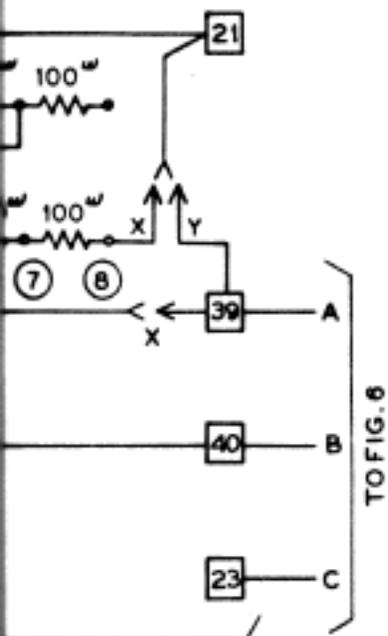


FIG. B ⑪  
METHOD OF MOUNTING D-SPEC. RESISTOR ON P-419442 UNIT ASSEMBLY FOR USE IN 105A APPARATUS



11 SPEC. RESISTANCE ON IN 105A APPARATUS BOX

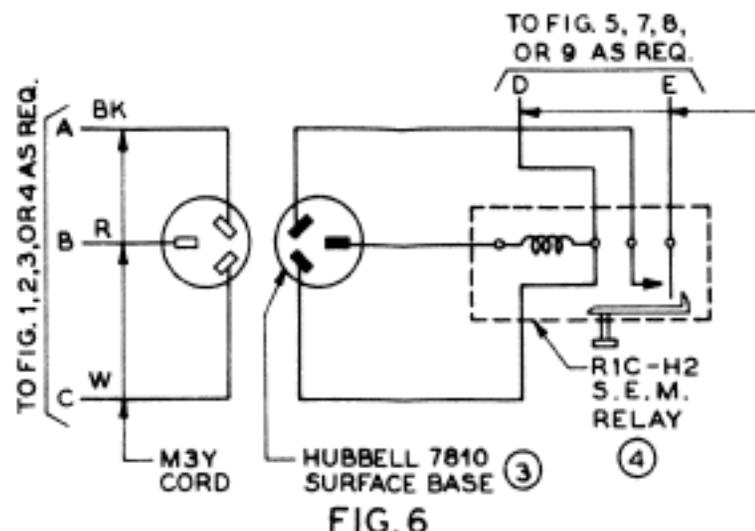


FIG. 6

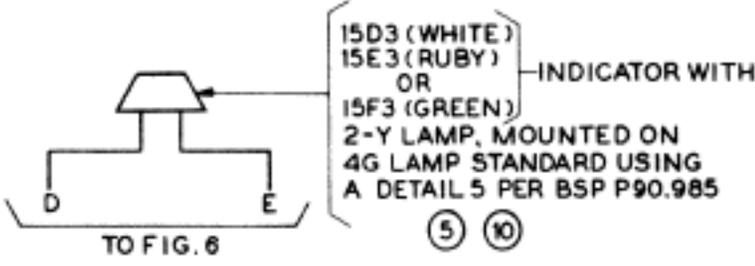


FIG. 7

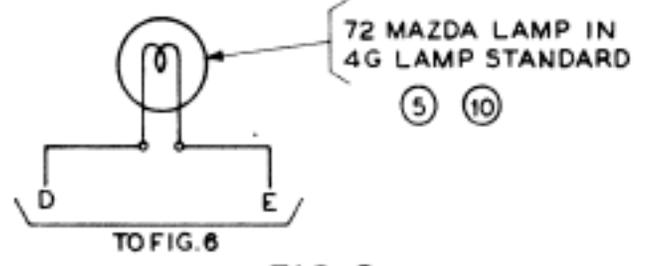


FIG. 8

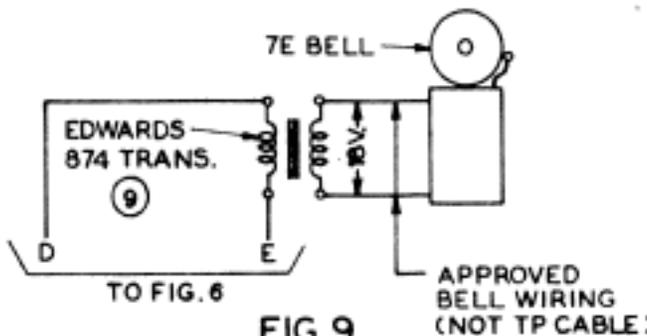


FIG. 9

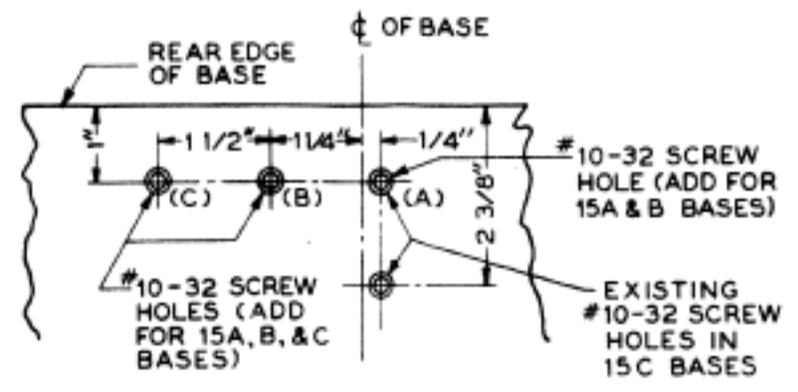


FIG. A

DRILLING AND TAPPING OF 15A, B OR C BASE TO MOUNT 93073M RESISTANCES

FEATURES REQUIRED	
1.	SINGLE AUXILIARY VISUAL SIGNAL USING 15C INDICATOR (WHITE, RUBY OR GREEN) WITH 15C BASE.
2.	SINGLE AUXILIARY VISUAL SIGNAL USING 15A INDICATOR (WHITE, RUBY OR GREEN) WITH 15A OR 15B BASE.
3.	SINGLE AUXILIARY VISUAL SIGNAL USING 72 MAZDA LAMP (WHITE, ONLY) WITH 15C BASE.
4.	SINGLE AUXILIARY VISUAL SIGNAL USING 7E BELL (WHITE, ONLY) WITH 15A OR 15B BASE.
5.	TWO AUXILIARY VISUAL SIGNALS USING 15C INDICATORS (WHITE, RUBY OR GREEN) WITH 15C BASE.
6.	TWO AUXILIARY VISUAL SIGNALS USING 15A INDICATORS (WHITE, RUBY OR GREEN) WITH 15A OR 15B BASE.
7.	AUXILIARY BELL SIGNAL, ONLY, WITH 15C BASE.
8.	AUXILIARY BELL SIGNAL, ONLY, WITH 15A OR 15B BASE.

NOTES

- ① WIRING NOT OTHERWISE SPECIFIED SHALL BE AS SHOWN IN FIG. 6.
- ② MOUNT ON TTY BASE AS SHOWN IN FIG. A, (A, B AND C) AS REQUIRED FOR THE NUMBER OF SIGNALS.
- ③ MOUNT ON INSIDE OF RIGHT PANEL OF 15N CASE. MOUNT IN POWER COMPARTMENT.
- ④ MOUNT ON TTY TABLE ON OUTSIDE OF RIGHT PANEL WITH RESTORE BUTTON DOWN.
- ⑤ THE 4G LAMP STANDARD, WHEN USED TO MOUNT LAMP, SHALL BE LOCATED AT THE RIGHT REAR CORNER OF THE REAR CENTER OF 19A TABLE. WHEN A LAMP STANDARD IS REQUIRED IT SHALL BE MOUNTED BY MEANS OF A DETAIL 5 PER BSP P90.985. THIS DETAIL MAY BE USED WITHOUT A LAMP STANDARD. ITS LOCATION SHALL BE SPECIFIED LOCAL TO THE BOX.
- ⑥ THE 95088M SET OF PARTS INCLUDES BELL SIGNAL, SLIP CONNECTORS, AND CABLING. INSTALL AS SHOWN IN FIG. 9.
- ⑦ USE "X" WIRING IN FIG. 3 OR FIG. 4 WHEN FIG. 3 OR FIG. 4 IS REQUIRED FOR FIG. 3 OR FIG. 4.
- ⑧ WHEN "Y" WIRING IS USED, OMIT THE (B) RESISTANCE UNIT IN FIGS. 3 AND 4.
- ⑨ MOUNT INSIDE TTY TABLE AS NEAR TO SIGNAL AS IS PRACTICABLE.
- ⑩ WHEN A SINGLE WHITE LAMP SIGNAL IS REQUIRED, USE 15D3 AND 4G LAMP STANDARD UNLESS THE NUMBER OF SIGNALS FOR REASONS OF APPEARANCE.
- ⑪ RESISTANCE UNITS (A) AND (B) SHALL BE MOUNTED IN ASSEMBLIES AS SHOWN IN FIG. B AND FIG. C. THE APPARATUS BOX SHALL BE MOUNTED IN ANY CONVENIENT LOCATION BUT PREFERRED IN THE POWER COMPARTMENT.

KEY

- EXISTING WIRING
- NEW WIRING
- REMOVED WIRING

*More chief - condition city*

**BELL SYSTEM PRACTICES**  
TELETYPEWRITER STATION  
INSTALLATION AND MAINTENANCE

**SECTION P90.948**  
ISSUE A OCT. 1945  
LONG LINES DEPT.

REPRODUCED FROM DWG. 21537-108

Dist. Class. 600AC

**LIST OF MATERIAL**

- 18 GA. DELTABESTON WIRE (AS REQUIRED).
- PAIRED 22 GA. BROWN INSIDE TELEPHONE WIRE PER AT SPEC. 6970, (AS REQUIRED).

FIG. 1 OR FIG. 2

- 3 93073M RESISTANCE ASSEMBLY.
- 1 95088M SET OF PARTS FOR BELL CONTACT.

FIG. 3 OR FIG. 4

- 2 93073M RESISTANCE ASSEMBLY. (8)
- 1 95088M SET OF PARTS FOR BELL CONTACT.

FIGS. 5 AND B

- 2 D-162955 RESISTANCE (3500<sup>Ω</sup>).
- 2 2Y LAMP.
- 2 [ 15 D3 (WHITE)  
15 E3 (RUBY)  
15 F3 (GREEN) ] INDICATOR (COLOR AS REQ'D)
- 2 4G LAMP STANDARD.
- 2 DETAIL 5 PER BSP P90.985. ] (IF REQUIRED)
- 2 P-419442 UNIT ASSEMBLY.
- 1 105A APPARATUS BOX.
- 2 .164-32 X 3 3/4 R.H.M. SCREW, P-251911.
- 4 .185 X 7/16 X .035 WASHER, P-127146.
- 6 .164-32 HEX. NUT, P-206518.
- 2 .172 X 3/8 X .018 S.P.L. WASHER, P-423633.

FIG. 6

- 1 M3Y CORD (2'-9").
- 1 HUBBELL 7810 SURFACE BASE.
- 1 R1C-H2 S.E.M. RELAY FOR OPERATION ON 110 VOLTS, 60 CYCLES, A.C.

FIG. 7

- 1 [ 15 D3 (WHITE)  
15 E3 (RUBY)  
15 F3 (GREEN) ] INDICATOR (COLOR AS REQ'D)
- 1 2Y LAMP
- 1 4G LAMP STANDARD ] (IF REQUIRED)
- 1 DETAIL 5 PER BSP P90.985 ]

FIG. 8

- 1 72 MAZDA LAMP.
- 1 4G LAMP STANDARD.

FIG. 9

- 1 EDWARDS 874 TRANSFORMER.
- 1 7E BELL.

FEATURES REQUIRED	USE FIGURES
SINGLE AUXILIARY VISUAL SIGNAL USING 15-TYPE INDICATOR (WHITE, RUBY OR GREEN) WITH 15C BASE.	1, 6, 7, A (NOTE 10)
SINGLE AUXILIARY VISUAL SIGNAL USING 15-TYPE INDICATOR (WHITE, RUBY OR GREEN) WITH 15A OR 15B BASE.	2, 6, 7, A (NOTE 10)
SINGLE AUXILIARY VISUAL SIGNAL USING 72 MAZDA LAMP (WHITE, ONLY) WITH 15C BASE.	3("X" WIRING), 6, 8, A (NOTE 10)
SINGLE AUXILIARY VISUAL SIGNAL USING 72 MAZDA LAMP (WHITE, ONLY) WITH 15A OR 15B BASE.	4("X" WIRING), 6, 8, A (NOTE 10)
TWO AUXILIARY VISUAL SIGNALS USING 15-TYPE INDICATORS (WHITE, RUBY OR GREEN) WITH 15C BASE.	3("Y" WIRING), 5, 6, A, B
TWO AUXILIARY VISUAL SIGNALS USING 15-TYPE INDICATORS (WHITE, RUBY OR GREEN) WITH 15A OR 15B BASE.	4("Y" WIRING), 5, 6, A, B
AUXILIARY BELL SIGNAL, ONLY, WITH 15C BASE.	3("Y" WIRING), 6, 9, A
AUXILIARY BELL SIGNAL, ONLY, WITH 15A OR 15B BASE.	4("Y" WIRING), 6, 9, A

**NOTES**

WIRING NOT OTHERWISE SPECIFIED SHALL BE 18 GA. DELTABESTON (OR EQUIV.).  
MOUNT ON TTY BASE AS SHOWN IN FIG. A. IN FIG. A PROVIDE HOLES (A), (B), AND (C) AS REQUIRED FOR THE NUMBER OF RESISTANCES TO BE MOUNTED.  
MOUNT ON INSIDE OF RIGHT PANEL OF 15N OR 19A TABLE. IN THE LATTER CASE, MOUNT IN POWER COMPARTMENT.  
MOUNT ON TTY TABLE ON OUTSIDE OF RIGHT PANEL TOWARD THE FRONT, WITH RESTORE BUTTON DOWN.  
4G LAMP STANDARD, WHEN USED TO MOUNT THE LAMP ON TTY TABLE, SHALL BE LOCATED AT THE RIGHT REAR CORNER OF 15N TABLE TOP OR AT THE REAR CENTER OF 19A TABLE. WHEN 15-TYPE INDICATOR ON LAMP STANDARD IS REQUIRED IT SHALL BE MOUNTED ON 4G LAMP STANDARD BY MEANS OF A DETAIL 5 PER BSP P90.985. THE 15-TYPE INDICATOR MAY BE USED WITHOUT A LAMP STANDARD, IF REQUIRED, IN WHICH CASE ITS LOCATION SHALL BE SPECIFIED LOCALLY.  
95088M SET OF PARTS INCLUDES BELL CONTACTS, TERMINAL BLOCK, SLIP CONNECTORS, AND CABLING. INSTALL PER BSP P36.477.  
"X" WIRING IN FIG. 3 OR FIG. 4 WHEN FIG. 8 IS USED. USE "Y" WIRING IN FIG. 3 OR FIG. 4 WHEN FIG. 5 OR FIG. 9 IS USED.  
WHEN "Y" WIRING IS USED, OMIT THE (B) RESISTANCE IN FIGS. 3 AND 4.  
MOUNT INSIDE TTY TABLE AS NEAR TO S. E. M. RELAY AS PRACTICABLE.  
WHEN A SINGLE WHITE LAMP SIGNAL IS REQUIRED, USE THE 72 MAZDA LAMP AND 4G LAMP STANDARD UNLESS THE 15D3 INDICATOR IS REQUIRED FOR REASONS OF APPEARANCE.  
RESISTANCE UNITS (A) AND (B) SHALL BE MOUNTED ON P-419442 UNIT ASSEMBLIES AS SHOWN IN FIG. B AND INSTALLED IN A 105A APPARATUS BOX. THE APPARATUS BOX SHALL BE MOUNTED ON THE TTY TABLE IN ANY CONVENIENT LOCATION BUT PREFERABLY INSIDE THE TABLE COMPARTMENT.

**KEY**

- EXISTING WIRING.
- NEW WIRING.
- > REMOVED AND TAPED.

**SIGNALING ARRANGEMENTS**

AUXILIARY BELL SIGNAL OR ONE OR TWO  
AUXILIARY VISUAL SIGNALS OPERATIVE  
ON UPPER CASE "S" BELL SIGNAL

NO. 15 OR NO. 19 TTY  
110 VOLT A.C. POWER