

NOT

- 1. (A) W
- (B) FC
- 2. WHEN
- 3. ORDER
- DRAW
- 4. FOR D
- 5. STRAP
- M2.06
- 6. FOR W

- 7. PROVID
- PI5.00
- 8. SEE B3
- 9. FOR C.
- OF FUS
- 10. A 15B
- MUST
- 11. FOR O
- 12. NO. 15M
- WIRING
- 13. KEYBO.
- KE

- 14.
- 15.

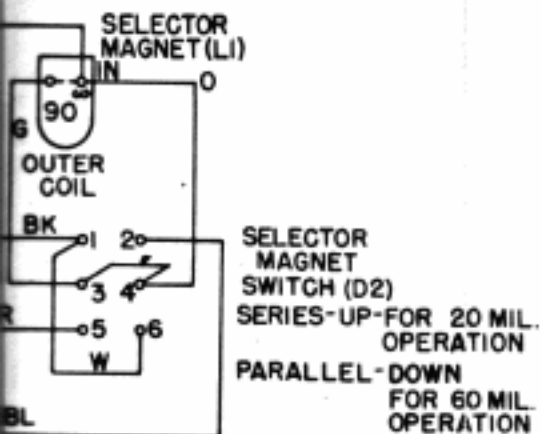
- TO LOOP
- SEE NOTE 4 AND 7

- 22 GA. BROWN
- INSIDE TEL. WIRE

- 18 GA. TYPE RF(SOLID)

Taeewe Garden City

T T.U.

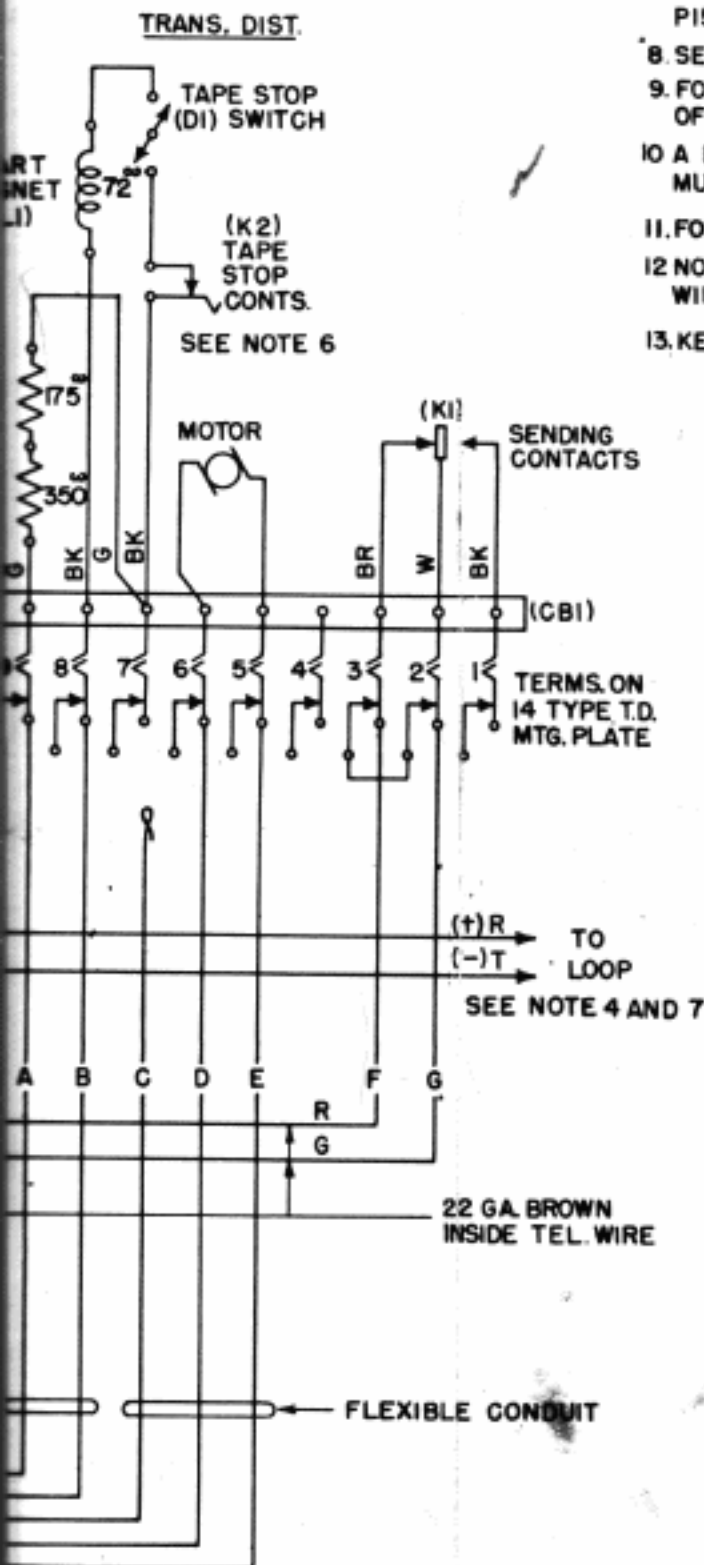


NOTES

1. (A) WHEN A M-G SET IS USED, AN 81754M RESISTOR UNIT IS ALSO REQUIRED.
(B) FOR VOLTAGE SETTINGS SEE BSP P31.101 FOR RECTIFIERS;
BSP P31.105 FOR M-G SETS.
2. WHEN AN 81754M RESISTOR UNIT IS NOT USED, TAPE THE "V" AND "W" LEADS.
3. ORDERING INFORMATION FOR TABLE ACCESSORIES CAN BE OBTAINED FROM DRAWING ED61221-012.
4. FOR DUPLEX OPERATION SEE APPROPRIATE BSP SECTIONS AS REQUIRED.
5. STRAP THE 3700 OHM PORTION OF (R10) FOR 60 MIL OPERATION. SEE BSP P30.412 PLAN M2.06
6. FOR WIRING DIAGRAMS OF COMPONENT UNITS, REFER TO BSP SECTIONS AS FOLLOWS:

14 TRANS-DIST	P35.331	19A TABLE	AA286.019 OR BELL
15 BASE	P36.301		LAB. DWG. SD-64052-81
15 MOTOR UNIT	P36.301		
215 RELAY	P31.161		
15 TYPING UNIT	P36.301		
15 PERF.-TRANS.	P38.322		
MOTOR-GEN. SET	P31.105		
RECTIFIERS	P31.101		

7. PROVIDE WAVE SHAPE SETS AND SWITCHBOARDS AS REQUIRED. SEE BSP SECTIONS P15.001, P30.620, P60.101 AND AA286.902
8. SEE BSP P30.401 FOR COLOR CODE OF OLDER TYPE CORDS.
9. FOR CAPACITY OF FUSTRONS OR FUSTATS REQUIRED, SEE BSP P31.152; FOR CAPACITY OF FUSES REQUIRED SEE BSP P31.151.
10. A 15B BASE MAY BE USED INSTEAD OF A 15A, BUT IF USED, THE (R4) RESISTANCE (8000 OHMS) MUST BE STRAPPED FOR 60 MIL OPERATION. FOR 15C BASE SEE P90.954
11. FOR OPERATION OF CHARACTER COUNTER SEE BSP AB84.140.
12. NO. 15M, N, AND P PERFORATORS MAY ALSO BE USED, HOWEVER THEY HAVE A SOMEWHAT DIFFERENT WIRING ARRANGEMENT, PRIMARILY IN THE CHARACTER COUNTER. SEE BSP P38.322.
13. KEYBOARD CONTROL OPERATING LEVER FUNCTIONS
 - KEYBOARD POSITION - PERF. CONTROL CONTS. ALL OPEN, PUNCH MAGNET WILL NOT BE ENERGIZED, CAN TRANSMIT DIRECT KEYBOARD BUT NOT FROM TRANS. DIST.
 - TAPE & KBD POSITION - LOWER PAIR PERF. CONTROL CONTS. CLOSED, PUNCH MAGNET ENERGIZED DUE TO OPERATING SPRING OF THE CAM PULSING CONTS. RIDING INTO INDENTS ON TWO OF THE TRANSMITTING CAMS, CAN SEND KEYBOARD AND PERFORATE TOGETHER, ALSO CAN USE T.D. BUT NOT SIMULTANEOUSLY WITH KEYBOARD.
 - TAPE POSITION - ALL PERF. CONTROL CONTS. CLOSED, TRIP-OFF PAWL HELD DOWN PREVENTING KEYBOARD SENDING, OPERATION OF ANY KEY LEVER MOVES UNIVERSAL BAR DOWN CAUSING U-BAR CONTS. TO CLOSE WHICH ENERGIZES PUNCH MAGNET TO PERFORATE TAPE. REPEAT SPACE MECHANISM DISABLED. CAN TRANSMIT FROM TRANS. DIST. ONLY.
14. REFER TO BSP SECTION P30.019 FOR TYPE OF POWER CORD TO BE USED AND FOR INFORMATION AS TO WHEN POTENTIAL GROUND IS REQUIRED.
15. SEE BSP SECTION P31.163 FOR INFORMATION ON USE OF 1000 OHM SHUNT FOR HOLDING MAGNET TYPING UNITS. NOT REQUIRED WITH PULLING MAGNET TYPING UNITS.



19 TYPE TELETYPEWRITER
TYPICAL ARRANGEMENT
115 VOLT
A.C. POWER
SINGLE OPERATION WITH 15A OR 15B BASE