

FIG. 2

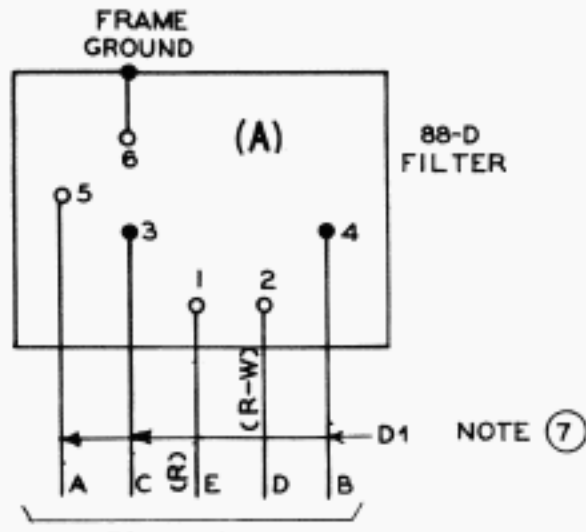


FIG. 1B

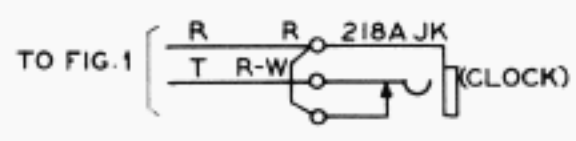


FIG. 9 NOTE (5)

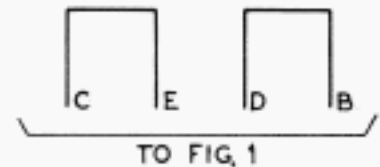


FIG. 1A

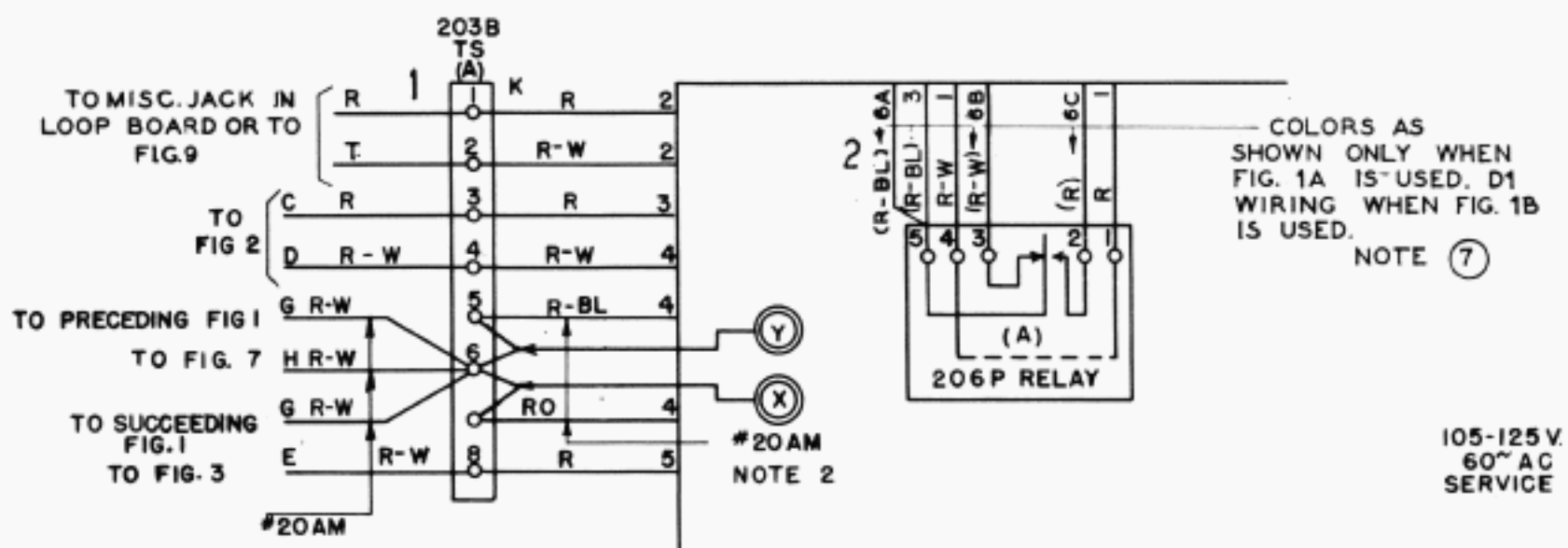
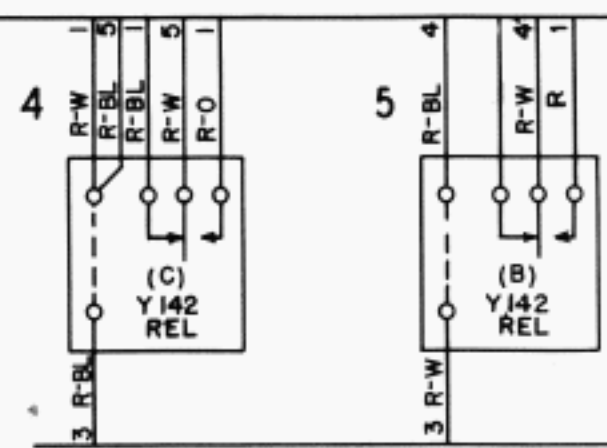


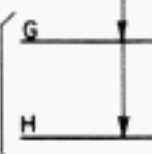
FIG. 1 (NOTE 4)



TO FIG. 1A OR 1B



115V AC 60~



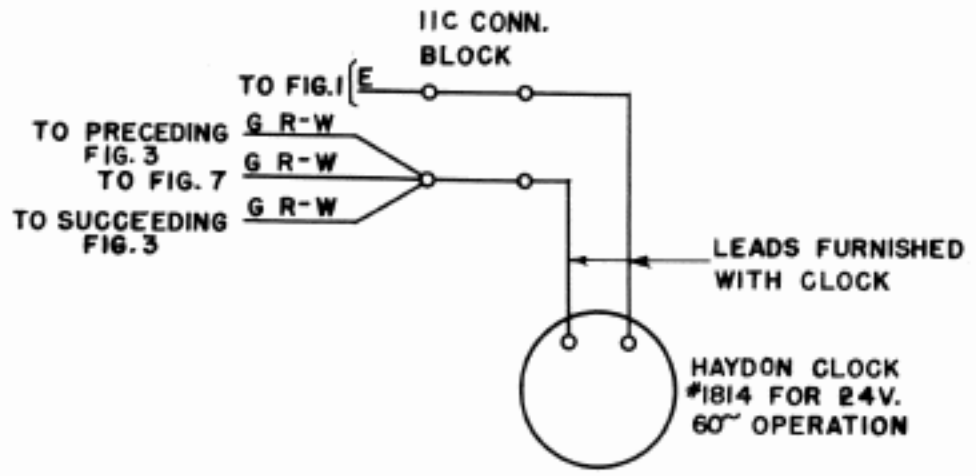
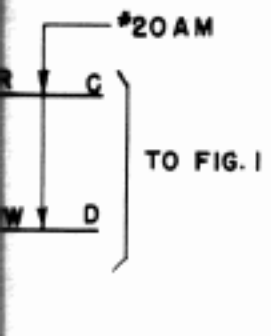


FIG. 3

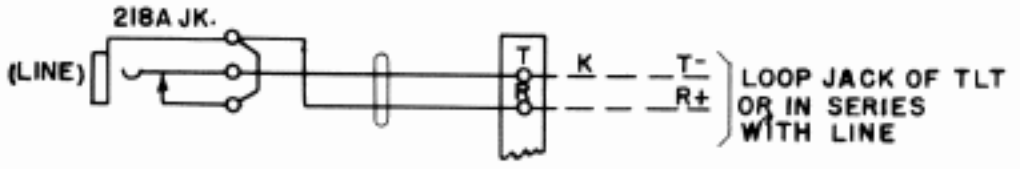
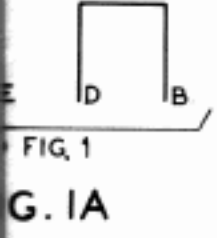


FIG. 4
 NOTE (5)

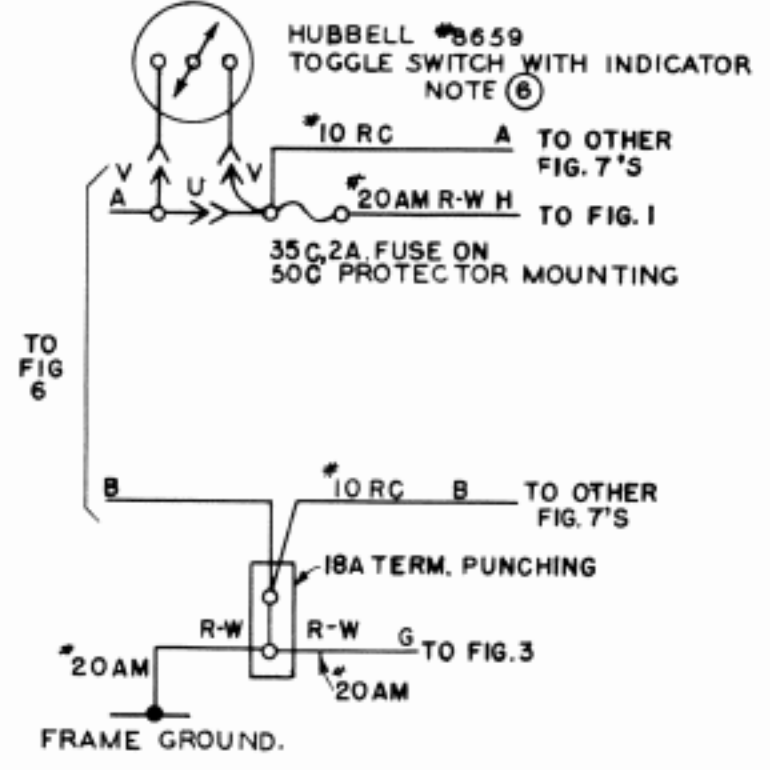


FIG. 7
 PROVIDE 1 FIG. 7 FOR EACH 6 FIG. 1'S & FIG. 3'S

AS
 Y WHEN
 USED, D1
 WHEN FIG. 1B
 NOTE (7)

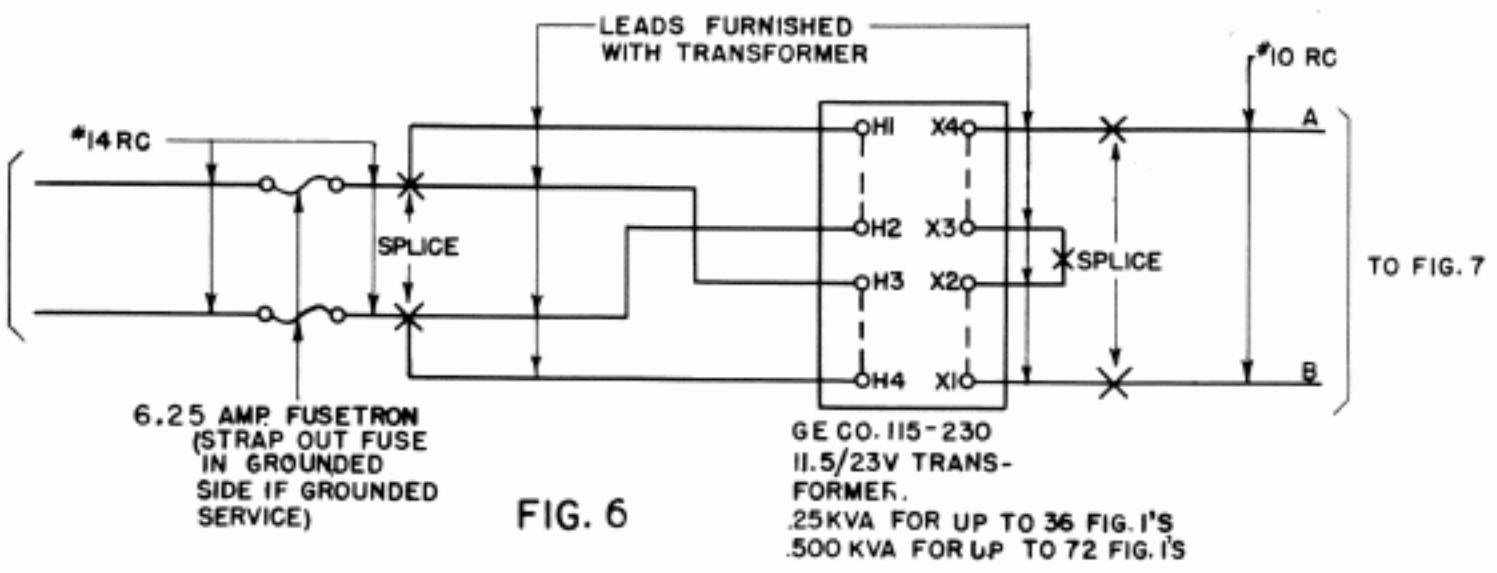


FIG. 6

TO FIG. 1A OR 1B

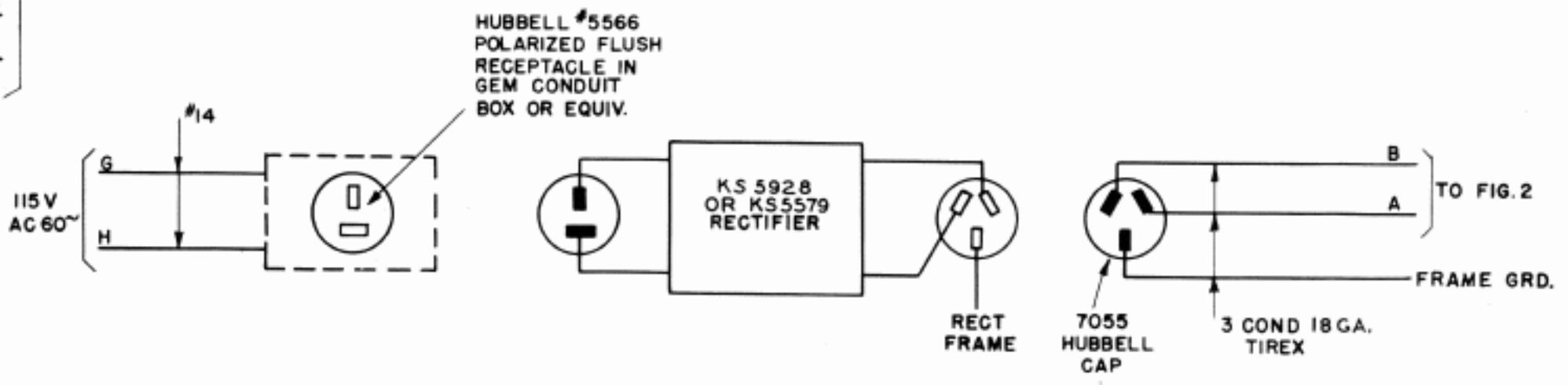


FIG. 8 (NOTE 3)

- NOTE:
- (1)
 - (2)
 - (3)
 - (4)
 - (5)
 - (6)
 - (7)
 - (8)

BELL SYSTEM PRACTICES

TELETYPEWRITER STATION
INSTALLATION & MAINTENANCE

REPRODUCED FROM 21260-T-105

SECTION P90.957

ISSUE D APR. 1945

LONG LINES DEPT.

Dist. Class. 600AC

LEADS FURNISHED
WITH CLOCK

BYDON CLOCK
BI4 FOR 24V.
OPERATION

LOOP JACK OF TLT
OR IN SERIES
WITH LINE

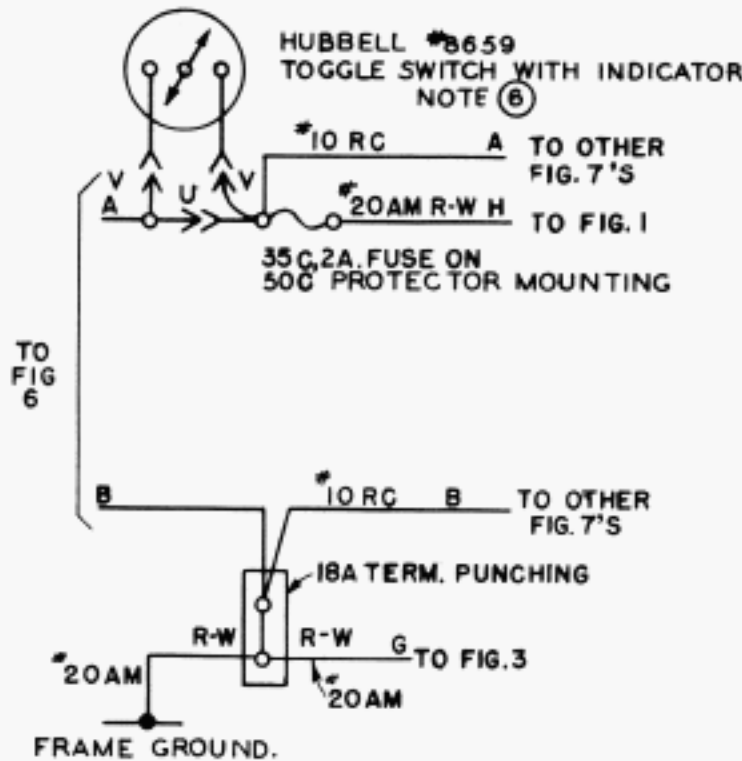
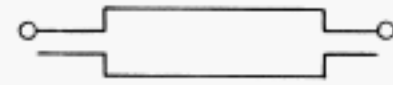


FIG. 7

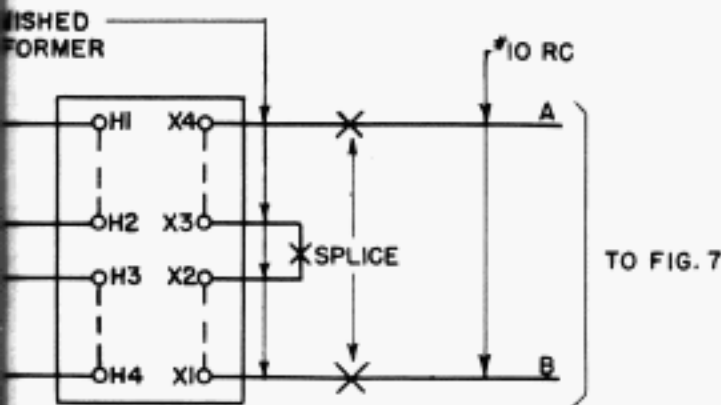
PROVIDE 1 FIG. 7 FOR EACH 6 FIG. 1'S & FIG. 3'S



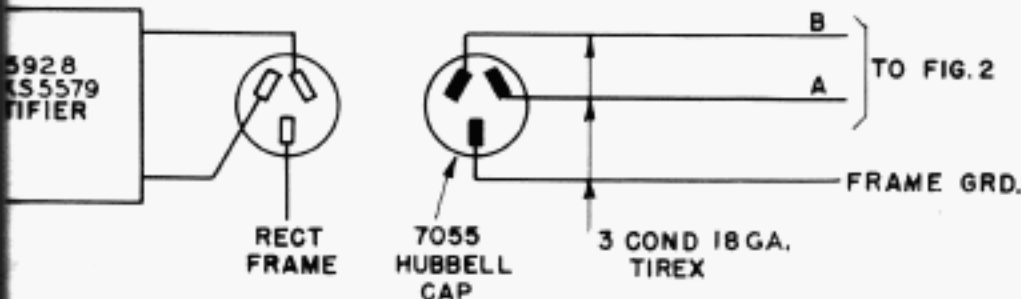
2 PIB CORD 2' LG. OR
2 PIB CORD 4' LG. OR
SPECIAL CORD

FIG. 5

FOR USE WITH FIG.
4 & 9



GE CO. 115-230
11.5/23V TRANS-
FORMER.
.25KVA FOR UP TO 36 FIG. 1'S
.500 KVA FOR UP TO 72 FIG. 1'S



NOTE 3)

NOTES

- ① ALL WIRES NOT OTHERWISE SPECIFIED SHALL BE #22 CL
- ② USE "X" WIRING TO MEASURE USED TIME.
"Y" " " " " IDLE " "
- ③ USE FIG. 8 IF DC COMMERCIAL SUPPLY IS NOT AVAIL-
ABLE. ONE KS 5928 RECTIFIER WILL SUPPLY UP TO
36 FIGS. 1. ONE KS 5579 RECTIFIER WILL SUPPLY UP
TO 6 FIGS. 1. MOUNT RECTIFIER ON SHELF
ED-80397-01. (REQUIRES 7 MTG. PLATE SPACES.)
- ④ 6 FIGS 1 ARE MOUNTED ON ASSEMBLY OF 3-1 3/4" MTG.
PLATE. A 1-1 3/4" MTG. PLATE SHALL BE PROVIDED.
BETWEEN ADJACENT GROUPS OF 6 FIGS. 1.
- ⑤ PROVIDE FIG. 4 AND 9 WHEN A SEPARATE JACK
FIELD IS REQUIRED AT THE CLOCK LOCATION.
- ⑥ PROVIDE TOGGLE SWITCH AND V WIRING ON
FIRST FIG. 7 ONLY. FOR SUCCEEDING FIG 7 OMIT
TOGGLE SWITCH AND PROVIDE U WIRING. PROVIDE
U WIRING ONLY WITH S-9560-142.
- ⑦ D1 LEADS TO BE 20 F BLACK. NOT INCLUDED
IN LOCAL CABLE BUT RUN DIRECT FROM
TERMINAL TO TERMINAL IN THE SHORTEST
MANNER POSSIBLE. PROVIDE FIG. 1B WHEN RADIO
INDUCTION SUPPRESSION IS REQUIRED, OTHERWISE
PROVIDE FIG. 1A.
- ⑧ SEE P90.956 FOR SCHEMATIC AND 21260-ED-105
AND 106 FOR EQUIPMENT ARRANGEMENT, AND BSP
SECTION P31.907 FOR CKT. DESC.

RECORDING ARRANGEMENT

TO MEASURE IDLE OR USED TIME
ON TELETYPEWRITER CIRCUIT.
FOR EITHER POLAR OR NEUTRAL CIRCUITS
WIRING