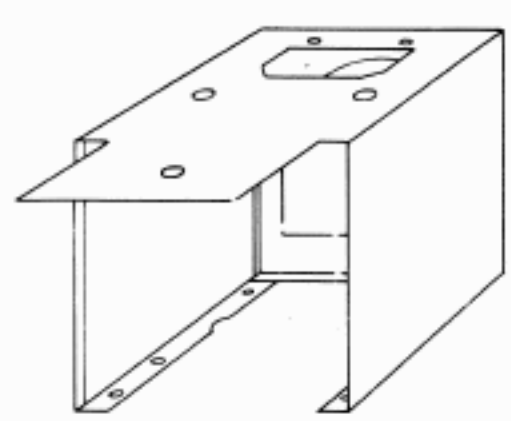
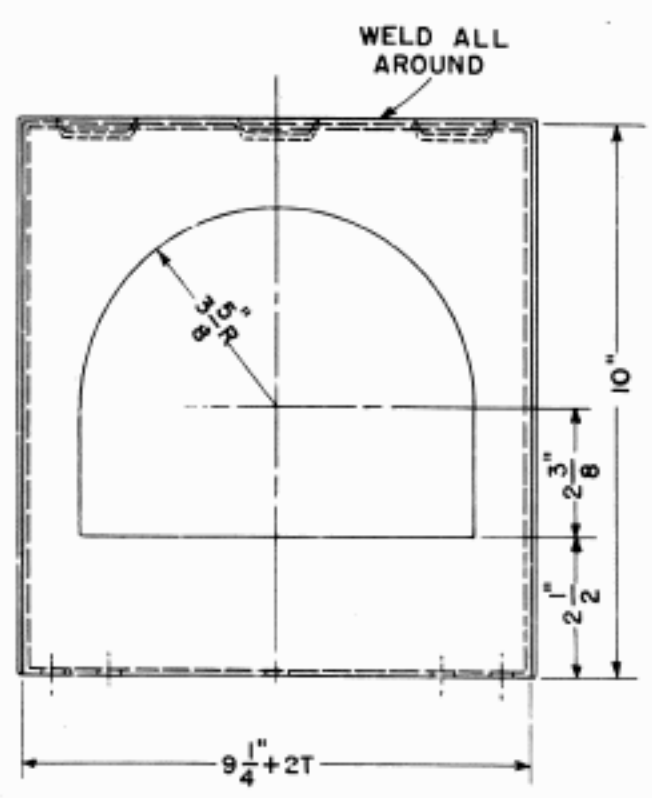


FIG. A
ASSEMBLED VIEWS



PERSPECTIVE

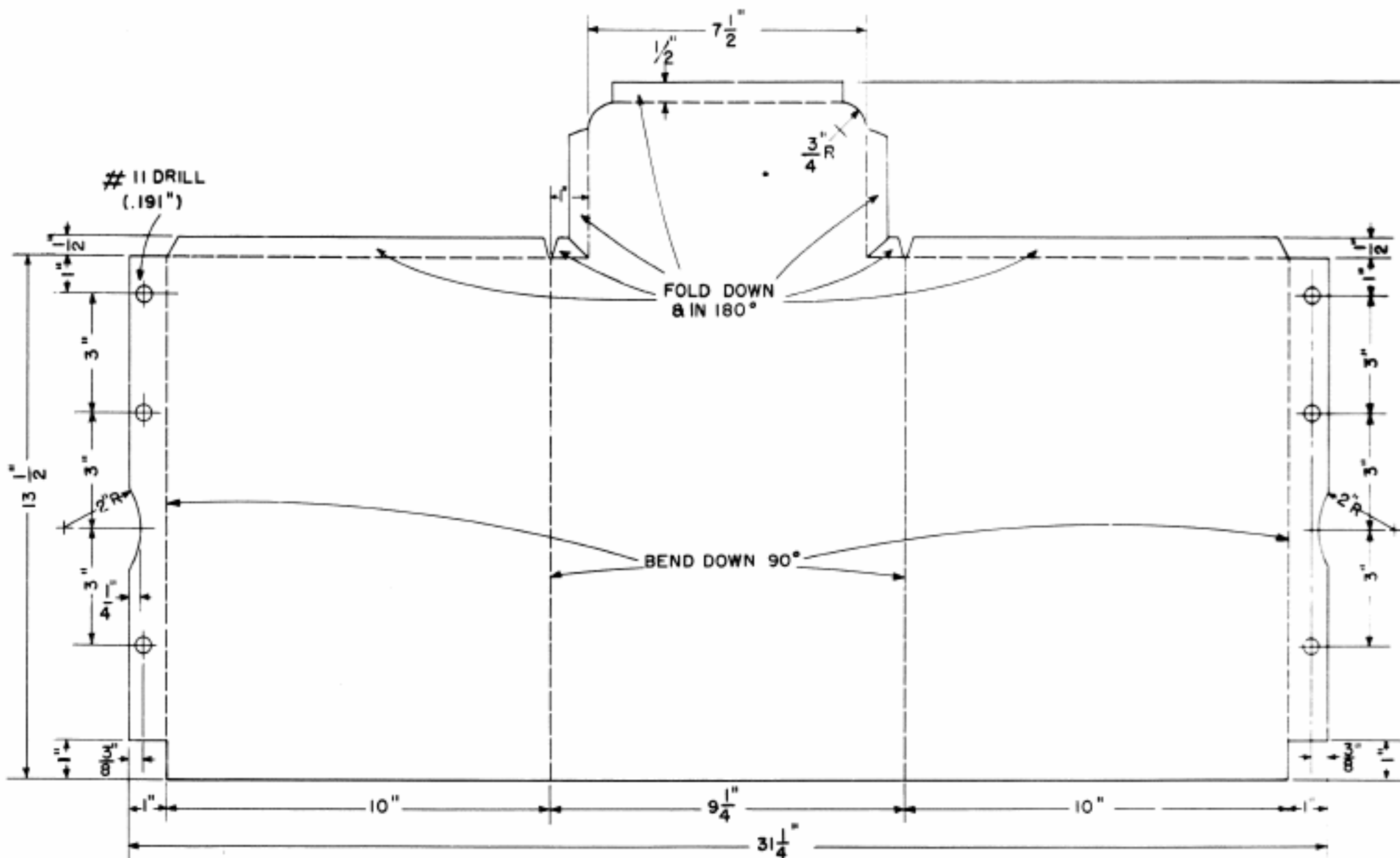


FIG. 1
BLANK FOR TOP AND SIDES

DRILL 9 HOLES USING
(.116) DRILL FOR # 8 X
HEAD SELF TAPPING
P-405652 OR EQUIV.
METAL TABLES OR P
ROUND HEAD WOOD S
P-149 673 OR EQUIV.
WOODEN TABLES

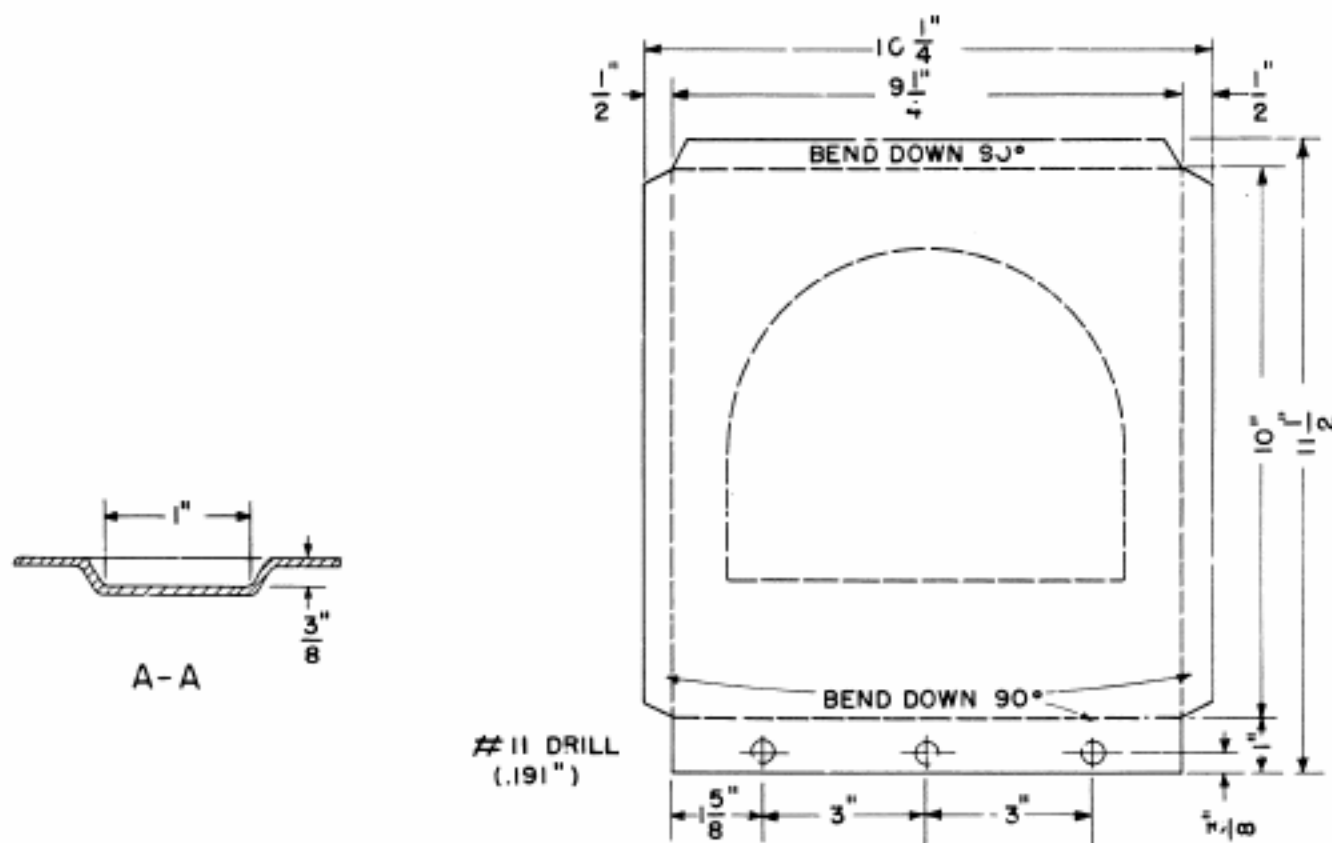
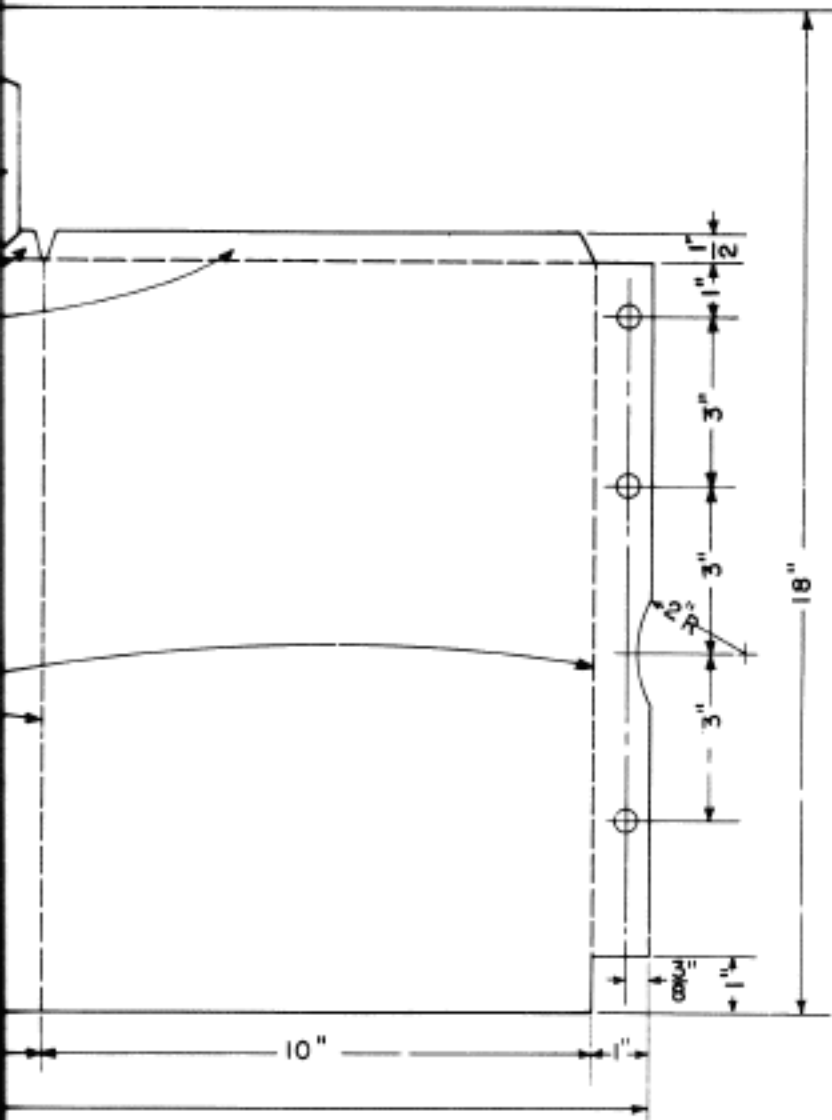


FIG. 2
BLANK FOR END

SCALE - 3/8" = 1"
MATERIAL - 14 U.S. GAUGE
FINISH, OUTSIDE -
-BLACK WRINKLE
-GRAY GREEN WRINK
-LIGHT BROWN WRINK
-DARK BROWN WRINK
AS SPECIFIED
INSIDE -
-SEAL COAT TO MA
OUTSIDE

REASON FOR CHANGE:
ISSUE B - ADDED DRILLING INFORMATION
FOR TWO HOLES IN FIG. A



DRILL 9 HOLES USING A # 32
(.116) DRILL FOR # 8 X 5/8" ROUND
HEAD SELF TAPPING SCREWS
P-405652 OR EQUIV. FOR
METAL TABLES OR FOR # 8 X 1/4"
ROUND HEAD WOOD SCREWS
P-149 673 OR EQUIV. FOR
WOODEN TABLES

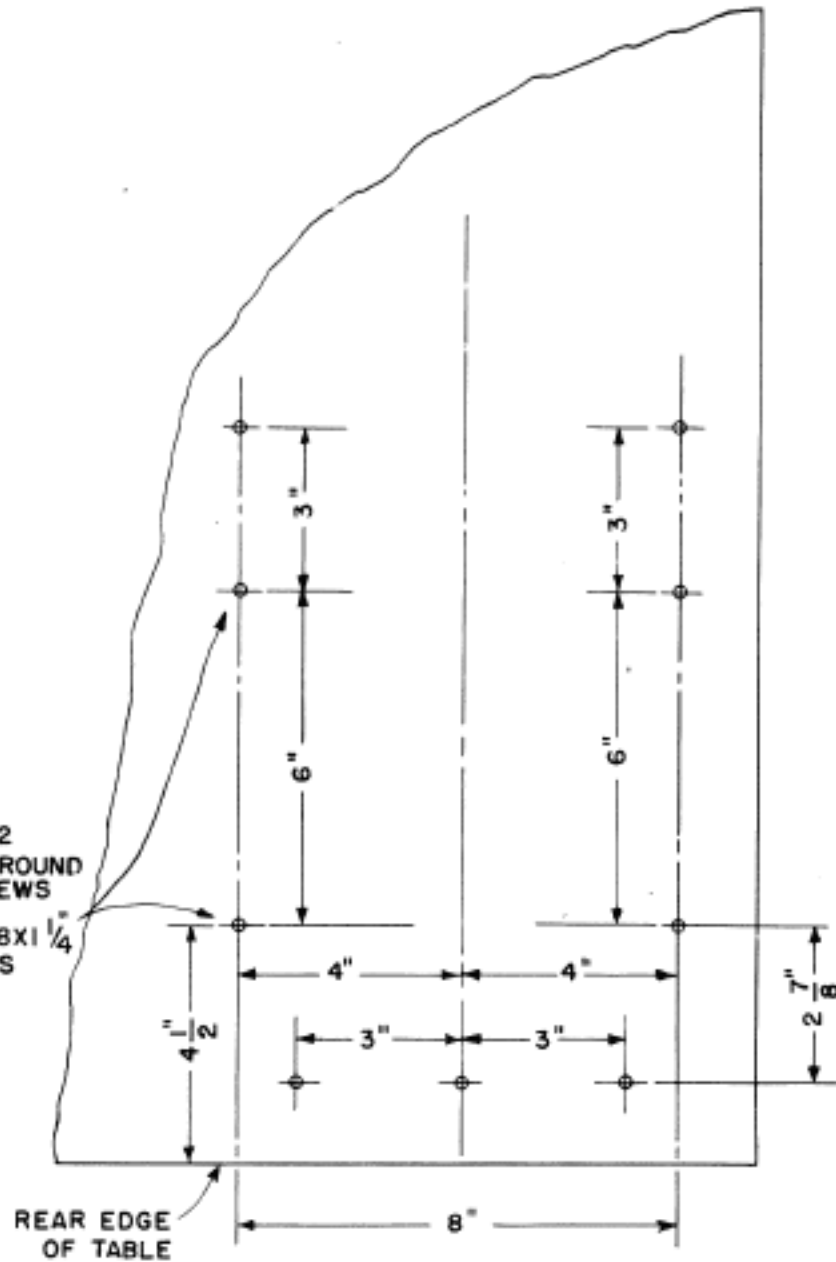


FIG. B
DRILLING OF TABLE
FOR BRACKET
PER FIG. 1
(SEE NOTE 1)

SCALE - 3/8" = 1"

MATERIAL - 14 U.S. GAUGE
FINISH, OUTSIDE -

- BLACK WRINKLE
- GRAY GREEN WRINKLE OR
- LIGHT BROWN WRINKLE OR
- DARK BROWN WRINKLE
AS SPECIFIED

INSIDE -

- SEAL COAT TO MATCH
OUTSIDE

NOTES:

1. BEFORE CENTER PUNCHING FOR DRILLINGS SHOWN IN FIG. B FOR METAL TABLES OR DRILLING START HOLES FOR WOODEN TABLES PLACE BRACKET IN PROPOSED POSITION AND CHECK DRILL HOLES AGAINST ANY VARIATIONS DUE TO MANUFACTURE. MAKE CHANGES FOUND NECESSARY.
2. WHEN USED ON A 119 A TABLE REMOVE TRANSMITTER GUARD FROM TABLE AND REINSTALL ON BRACKET.

TELETYPEWRITER SYSTEMS
NO. 19 TTY SET
BRACKET FOR MOUNTING AN
AUXILIARY TRANS-DIST. OVER REGULAR
TRANS-DIST.