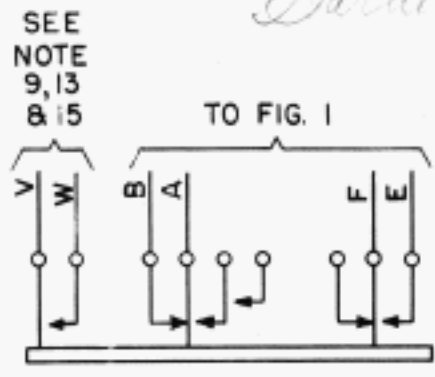
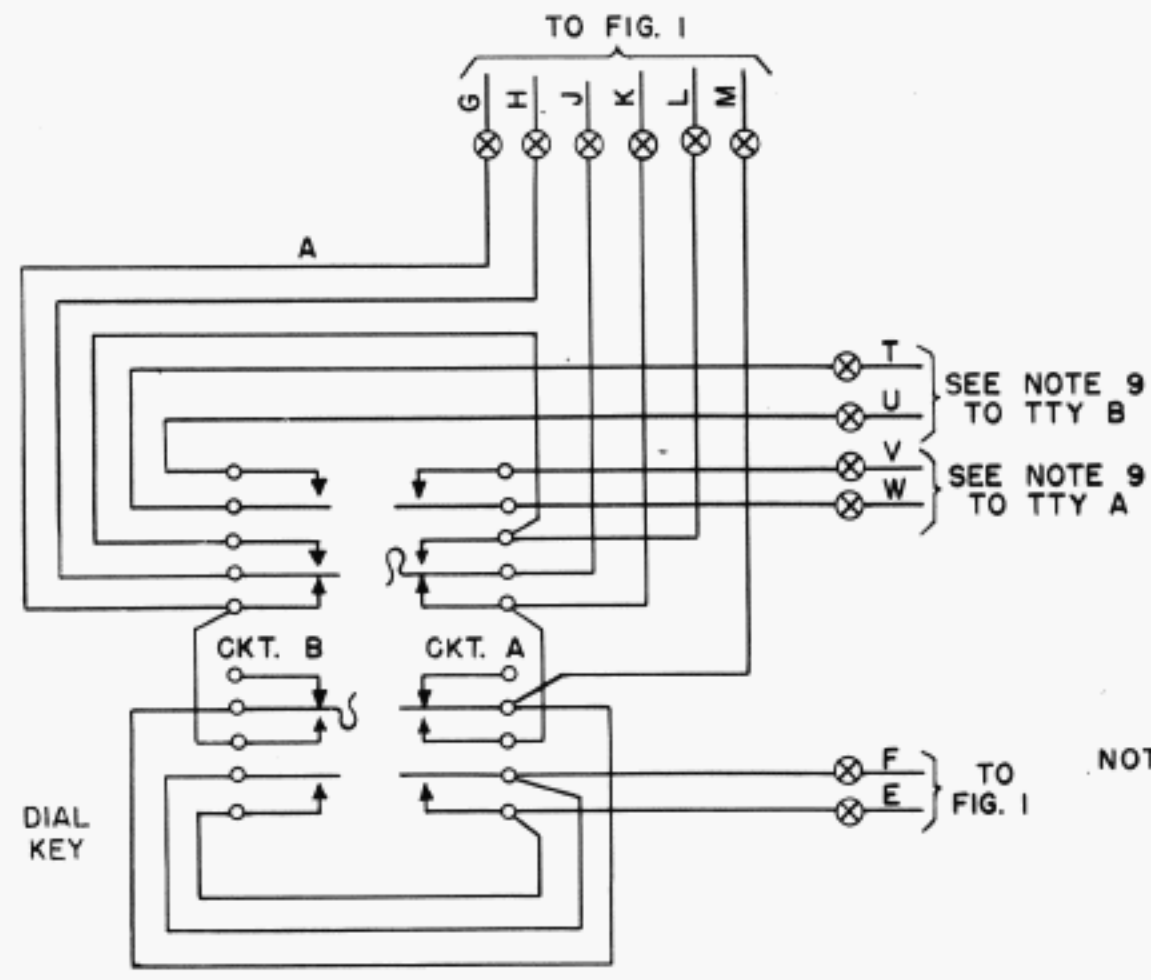
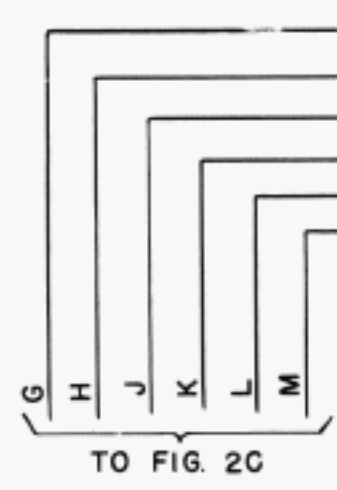


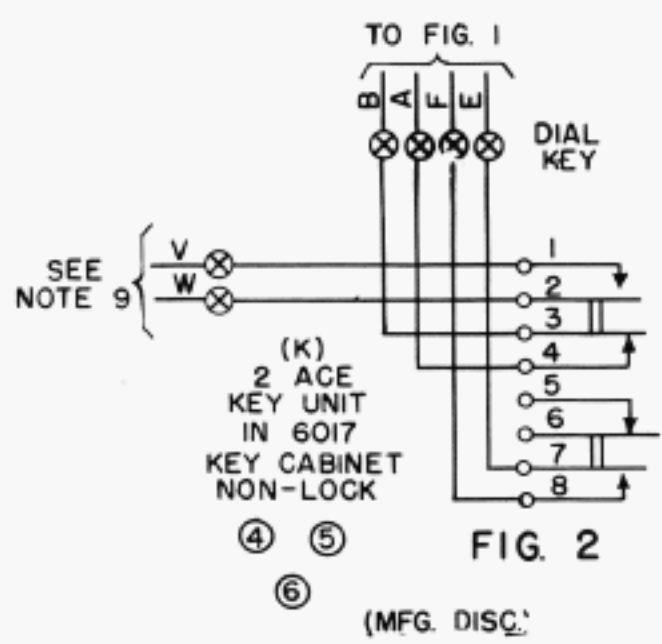
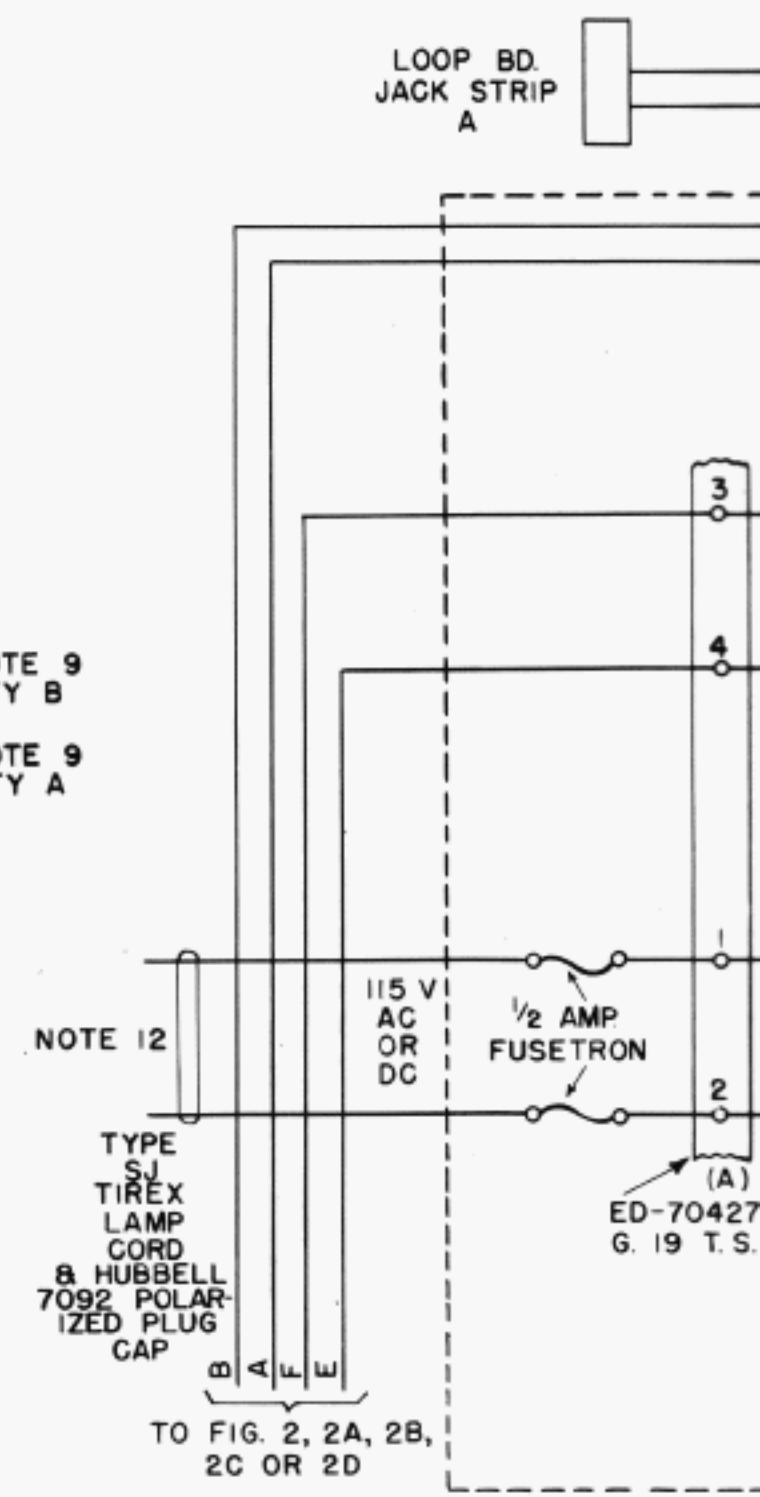
*Garden City*



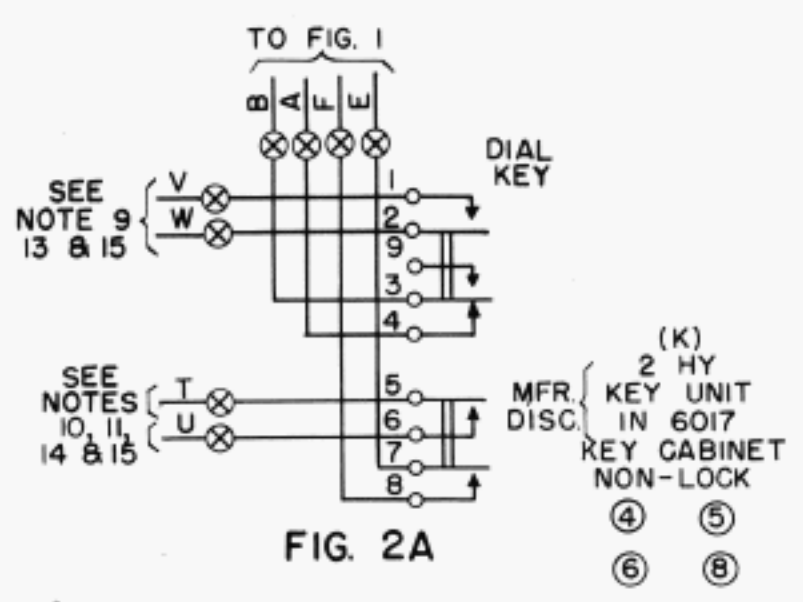
**FIG. 2D**  
3-D FOOT SWITCH  
(USE 2-A FOOT SWITCH ATTACHMENT)



**FIG. 2C**  
2 AMG KEY UNIT (H.L.)  
IN 6017 KEY BOX



(K)  
2 ACE  
KEY UNIT  
IN 6017  
KEY CABINET  
NON-LOCK  
④ ⑤  
⑥  
(MFG. DISC.)



**FIG. 2A**

(K)  
2 HY  
KEY UNIT  
IN 6017  
KEY CABINET  
NON-LOCK  
④ ⑤  
⑥ ⑧

SEE NOT 10, 11, & 15

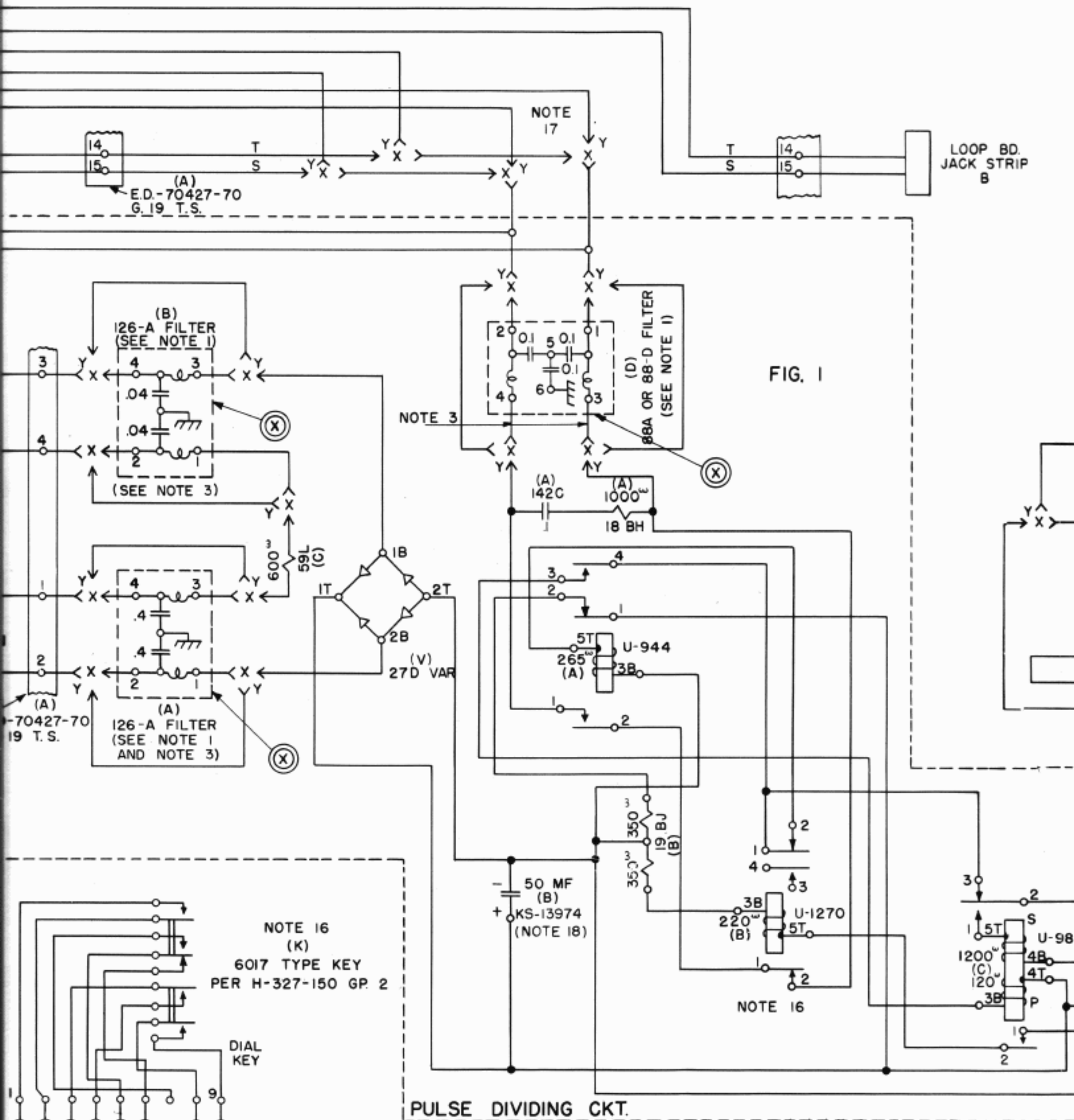


FIG. 2B

SEE NOTE 0, 11, & 14 TO FIG. 1 SEE NOTE 9 & 13

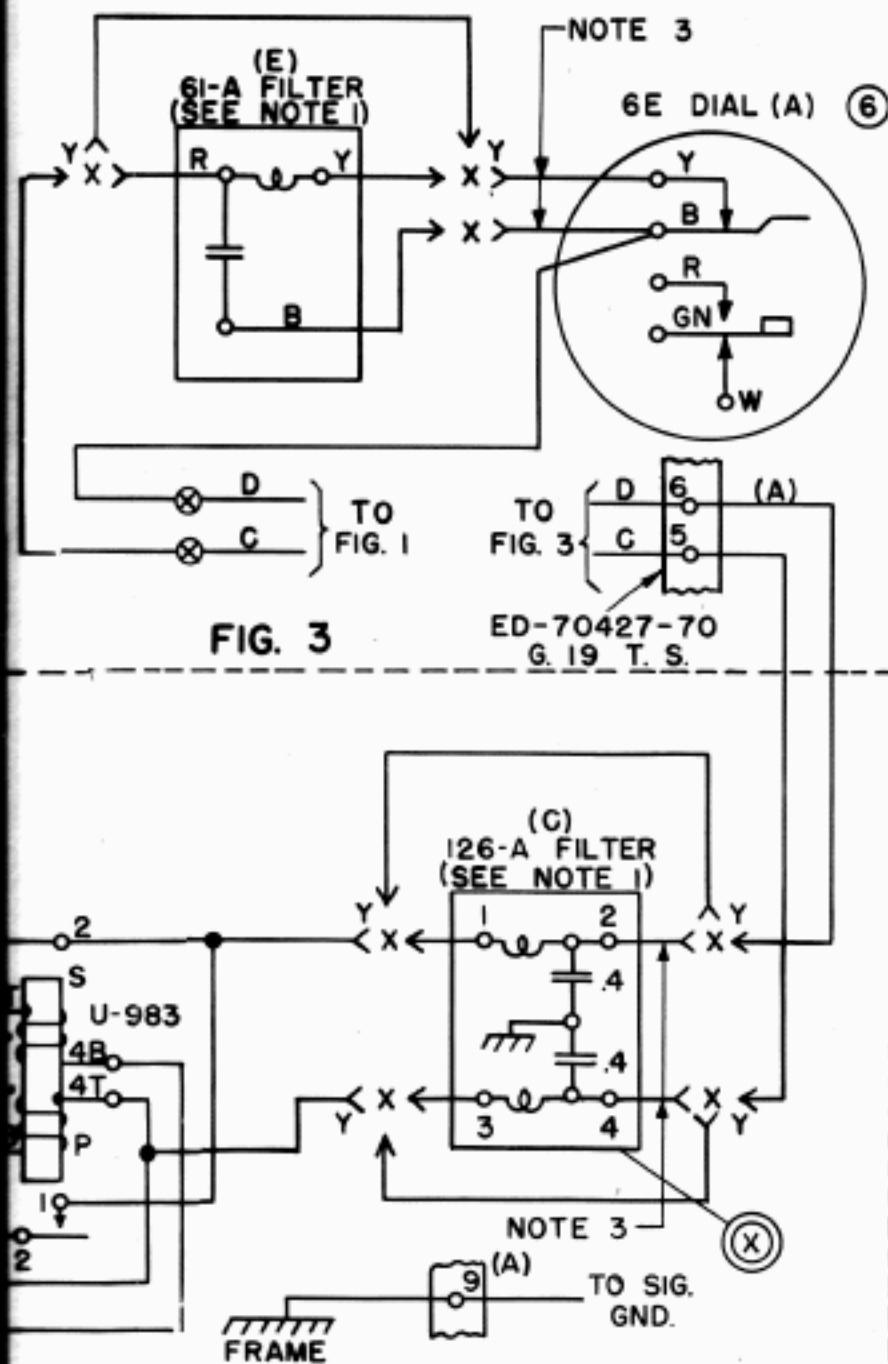
APPARATUS		MECH. REQ.			CIRCUIT PREPARATION					DIRECT CURRENT FLOW REQ.					REMARKS
DESIG.	CODE	U. S. P. FIG.	CONT. PPFSS	ARM TR'V'L	BLOCK OR INSULATE	TEST CLIP DATA		TEST SET PREP.	SEE TEST NOTE	TEST WDG.	TEST FOR	AFTER SOAK	TEST	READJ.	
						CONN. BATT.	CONN. GR'D					M. A.	M. A.	M. A.	
A	U-944	110/101	H	35	(B) 0	3B (A)	5T (A)	NGB			O		21	19	OPEN A.C. OR D.C. POWER SUPPLY
					(B) 0	3B (A)	5T (A)	NGB		R		3	4.4		
C	U-983	132/101	H	47	(A) NO	3B (C)	4T (C)	NGB	I	P	O		35	32	
					(A) NO	3B (C)	4T (C)	NGB	I	P	NO		22	24	
					(A) NO	4B (C)	5T (C)	NGB	I	5	O		27		
B	U-1270	110/144	H	35		3B (B)	5T (B)	NGB			O		22.5	21.5	
B	U-778	110/144	H	35		3B (B)	5T (B)	NGB			O	40.5	19.5	18.5	
						3B (B)	5T (B)	NGB			R	40.5	1.5	1.8	

TEST NOTE:  
I. REMOVE WIRING FROM 5T OF RELAY

NOTES

- PROVIDE 126-A, 61-A, AND 88-A OR 88-D FILTERS WHEN REQUIRED FOR RADIO INDUCTION SUPPRESSION. USE 88-D FILTERS IF AVAILABLE FOR NEW CIRCUITS, BUT DO NOT REPLACE EXISTING 88-A FILTERS BY 88-D FILTERS.
- USE X WIRING AND APPARATUS WHEN FILTERS ARE REQUIRED AND Y WIRING WHEN NOT REQUIRED.
- RUN LEADS DIRECT AS SHORT AS PRACTICABLE AND NOT IN LOCAL FORM.
- REPLACE KEY UNIT IN 6017-P KEY WITH A2 ACE OR 2HY KEY UNIT.
- ADJUST KEY UNIT SO THAT CONTACTS 1-2 MAKE BEFORE CONTACTS 3-4 BREAK.
- MOUNT ON TELETYPEWRITER TABLE.
- REF. DWG P90.981 AND ASSEMBLY DWG. H327-150.  
○ H.B. JONES NO. 10-141 TERM. STRIP OR EQUIVALENT ON TTY TABLE.
- ADJUST KEY UNIT IN ACCORDANCE WITH B.S.P. B432.018
- TO FIG. A OR B B.S.P. P90.993 OR TO TERMS. 10 AND 13 OF B TERMINAL STRIP ON 131-A-1 SUBSET OR TO TERMINALS 14 AND 18 OF B TERMINAL STRIP OF 131-B-2 SUBSET USING #720 SHIELDED CABLE WITH THE SHIELDING GROUNDED TO COPPER SCREEN INSIDE 131 SUBSET CABINET AND TO KEY BOX OF DIAL KEY OR TO TERMINALS 45 AND 46 ON TERMINAL STRIP OF 102 A TABLE FIG. 1A B.S.P. P90.936. (SEE NOTE 15)
- TO FIG. A OR B OF BREAK TRANSFER CIRCUIT PER DWG. 20567-SD-113 OR TO TERMINALS 47 & 48 ON TERMINAL STRIP OF 102A TABLE PER FIG. 1A B.S.P. P90.936.
- IF NO BREAK TRANSFER CIRCUIT IS USED, TERMINALS SHOULD BE CONNECTED TO FIG. A OR B OF B.S.P. P90.993 WHEN A SECOND TELETYPEWRITER IS INVOLVED.
- CORD AND PLUG CAP TO BE PROVIDED BY TELEPHONE CO.
- TO 24 & 25 FIG. D DWG. 20827-124.
- TO 26 & 27 FIG. D DWG. 20827-124.
- ADDITIONAL TO NOTE 9 "OR TABLE TERMINALS 19 & 21 OF FIG. D BSP P90.934 OR TABLE TERMINALS 16, 18, 19 & 21 OF FIG. E BSP P90.934."
- ISSUE M CHANGED. B RELAY FROM U-778 TO U-1270. EITHER RELAY IS SATISFACTORY. K KEY DESIGNATION CHANGED TO CLARIFY ORDERING INFORMATION.
- USE X WIRING FOR ONE TTY CKT. AND Y WIRING FOR TWO TTY CKTS.
- KS-13974 CONDENSER (B) WAS KS-8188 NOW MFR. DISC.

BD. TRIP



64CI SELECTOR SYSTEM  
SPECIAL SELECTIVE CALLING CIRCUIT  
SCHEMATIC USING 10 CYCLE DIAL AND PULSE DIVIDER