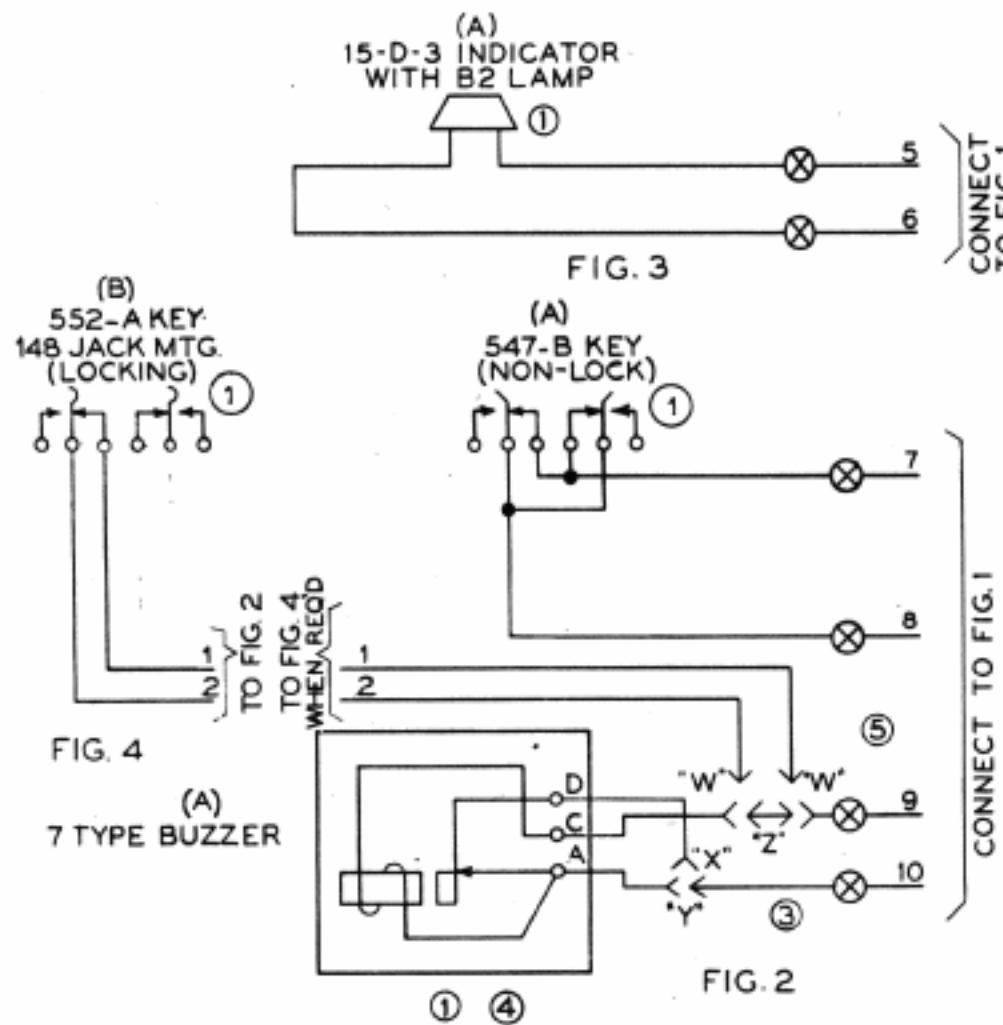
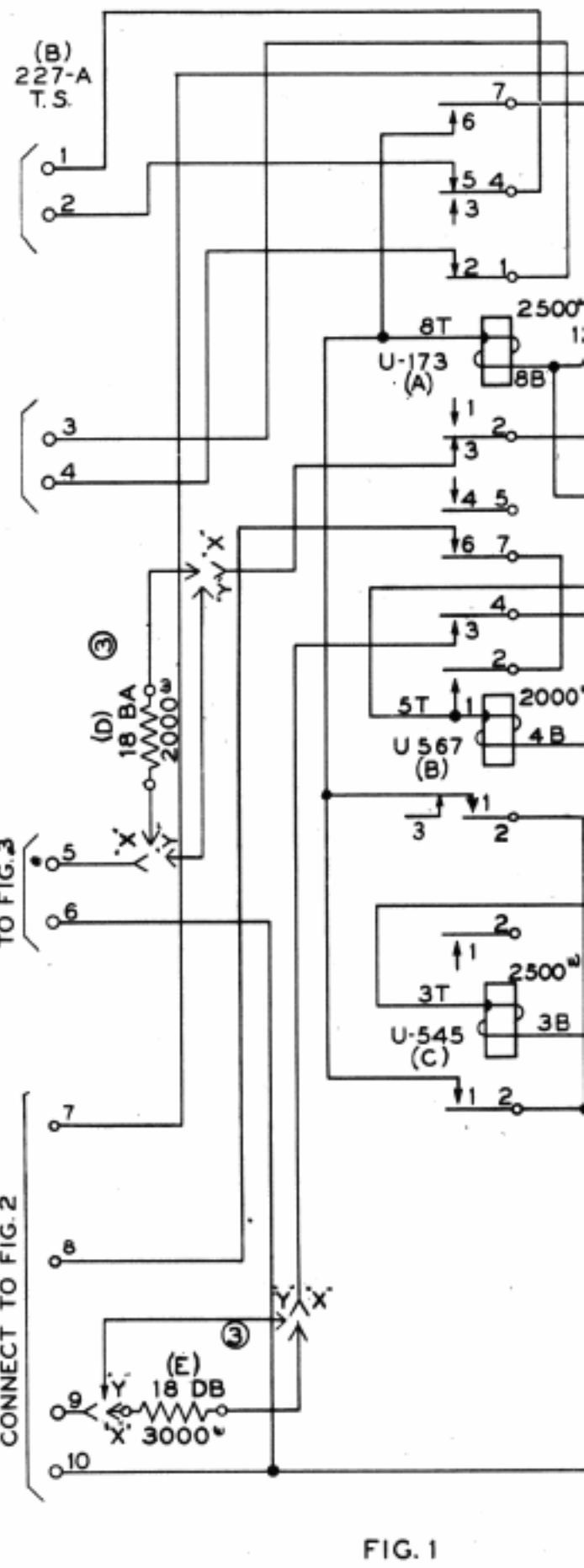


- NOTE**
- ① MOUNT IN LOCATION SUITABLE TO CUSTOMER.
 - ② REPRODUCED FROM DWG. 20824-SD-124
 - ③ USE "X" WIRING AND APPARATUS FOR D.C. POWER SUPPLY AND "Y" WIRING FOR A.C. POWER SUPPLY.
 - ④ USE 7-E BUZZER FOR 60^vA.C., 7-A FOR 25^vA.C. OR 7-F FOR D.C.
 - ⊗ H.B. JONES NO.10-141 TERMINAL STRIP OR EQUIVALENT ON TTY. TABLE.
 - ⑤ USE "W" WIRING IF (B) KEY IS REQUIRED. OTHERWISE USE "Z" WIRING.
 - ⑥ USE 59 D (115^w) RESISTANCES FOR FIG. 7 OF B S P P90.982 WHEN THAT FIGURE IS USED.
 - ⑦ WIRING SHOWN ON P90.991. EQUIPMENT SHOWN ON 20824-ED-131.



CONN. TO X BY FIGS. A, B OR C P90.992 FOR "A" B M OTHERWISE TO FIGS. A2, B2 OR C2 OF P90.992 OR FIGS. A OR B P90.998

CONN. TO U BY FIG. 1 P90.992 FOR "A" B M OTHERWISE TO FIG. 1A OF P90.992 OR FIGS. A OR B P90.998



DWG. NO. 20824-SD-124

CIRCUIT REQUIREMENTS

APPARATUS		MECH. REQ.			CIRCUIT PREPARATION					DIRECT CURR				
DESIG.	CODE	B. S. P. FIG.	CONT. PRESS	ARM TR'Y'L	BLOCK OR INSULATE	TEST CLIP DATA		TEST SET PREP.	SEE TEST NOTE	TEST WDG.	TEST FOR	AFTR SOAK	TEST	REA
						CONN. BATT.	CONN. GR'D					M. A.	M. A.	M.
(A)	U173	148/148	H	47		8B (A)	8T (A)	NGB			0		10.	9.
(B)	U567	111/106	H	44		4B (B)	5T (B)	NGB			0		16.5	15.
						4B (B)	5T (B)	NGB			NO		9.6	10.
(C)	U545	101/101	H	29		3B (C)	3T (C)	NGB			0		6	5

CONN. TO XBY FIGS. A, B OR C P90.992
FOR 'A' & 'M' OTHERWISE TO
FIGS. A2, B2 OR C2 OF P90.992
OR FIGS. A OR B P90.998

CONN. TO UBV FIG. 1 P90.992
FOR 'A' & 'M' OTHERWISE TO
FIG. 1A OF P90.992 OR
FIGS. A OR B P90.998

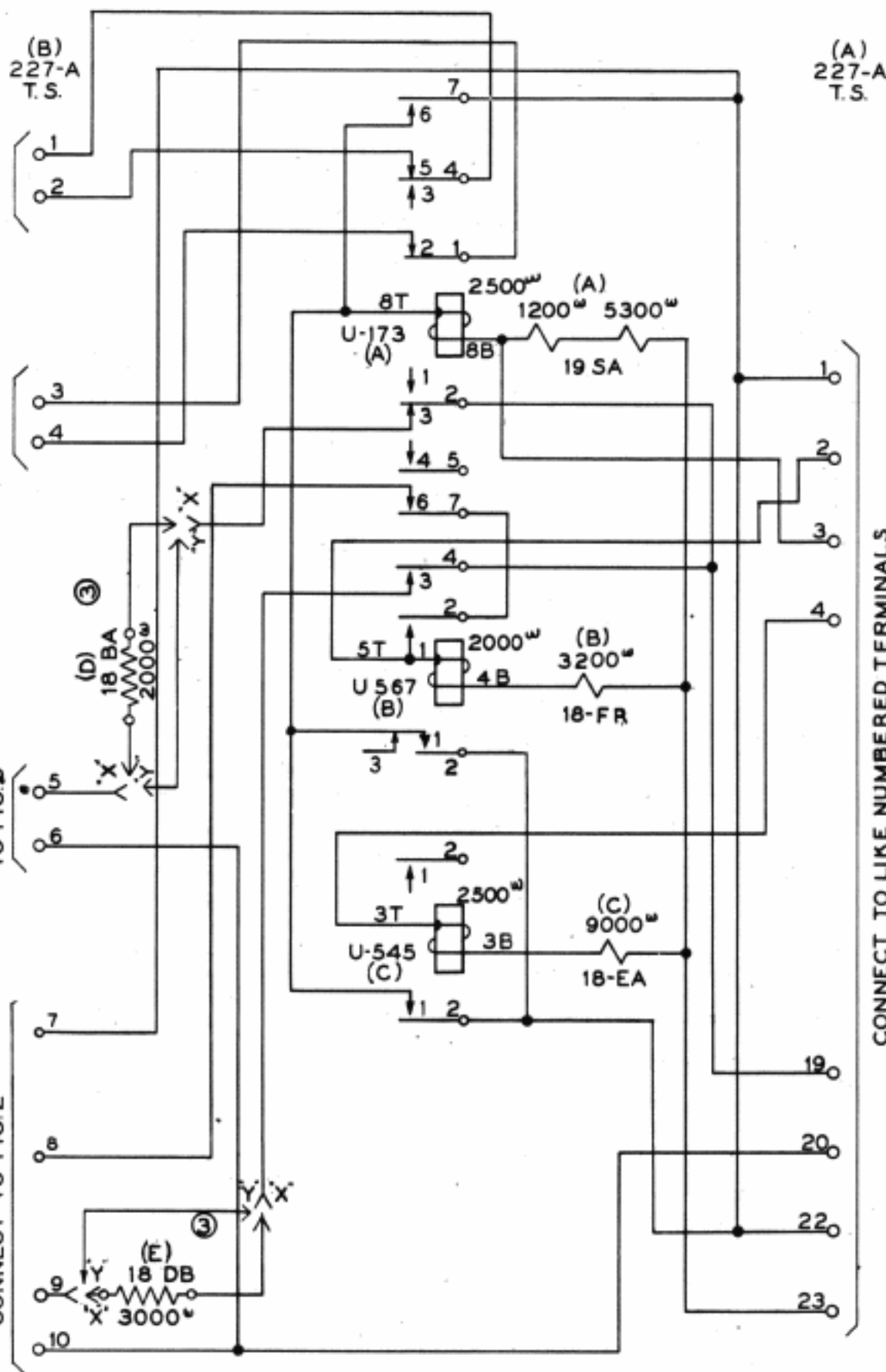


FIG. 1

CIRCUIT REQUIREMENTS

CIRCUIT PREPARATION

DIRECT CURRENT FLOW REQ.

BLOCK OR INSULATE	TEST CLIP DATA		TEST SET PREP.	SEE TEST NOTE	TEST WDG.	TEST FOR	AFTER SOAK	TEST	READJ.	REMARKS
	CONN. BATT.	CONN. GR'D					M. A.	M. A.	M. A.	
	8B (A)	8T (A)	NGB			0		10.	9.1	REMOVE 115V PWR. P90.982
	4B (B)	5T (B)	NGB			0		16.5	15.5	
	4B (B)	5T (B)	NGB			NO		9.6	10.2	
	3B (C)	3T (C)	NGB			0		6	5.4	

64-C-1 SELECTOR SYSTEM
APPLIQUE CIRCUIT TO
PERMIT DISCONNECTION
AND CONNECTION OF JTY
TO BE USED WITH P90.982
SCHEMATIC