

**BELL SYSTEM PRACTICES**  
Teletypewriter and Data Stations

**SECTION P34.320**  
Issue 3, December, 1962  
AT&T Co Standard

**28 TRANSMITTER-DISTRIBUTOR BASES  
AND  
28 TRANSMITTER-DISTRIBUTOR  
HOUSINGS  
WIRING DIAGRAM**

**1. GENERAL**

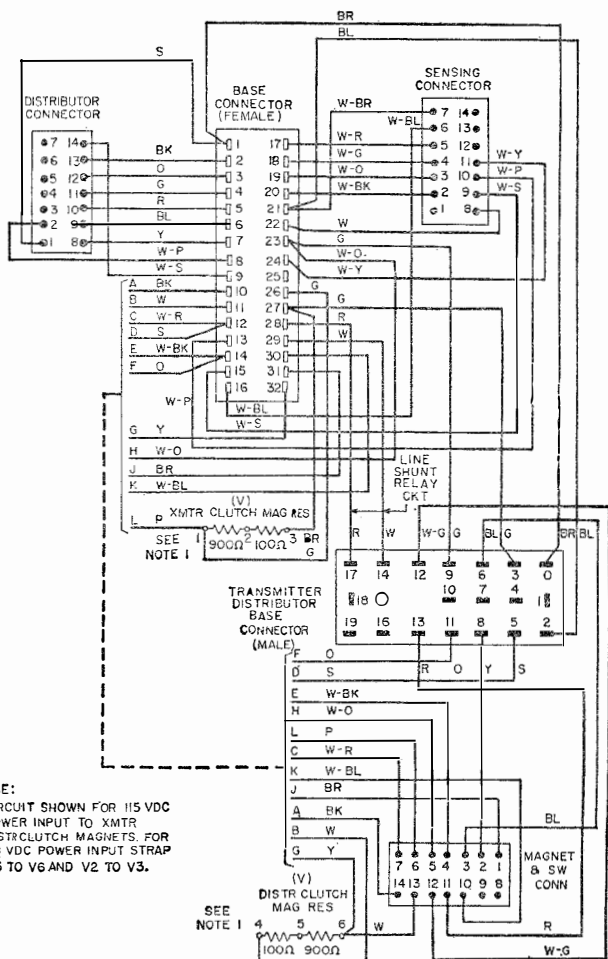
1.01 This section shows the wiring of the 28F, G, H, H-2, H-3, J, K, and LA transmitter-distributor bases and the 28F and G transmitter-distributor housings for use with the 28 automatic send-receive set.

1.02 This section is reissued to add the wiring of the 28H-3 transmitter-distributor base designed for dial TWX. The title is being changed to make it more general.

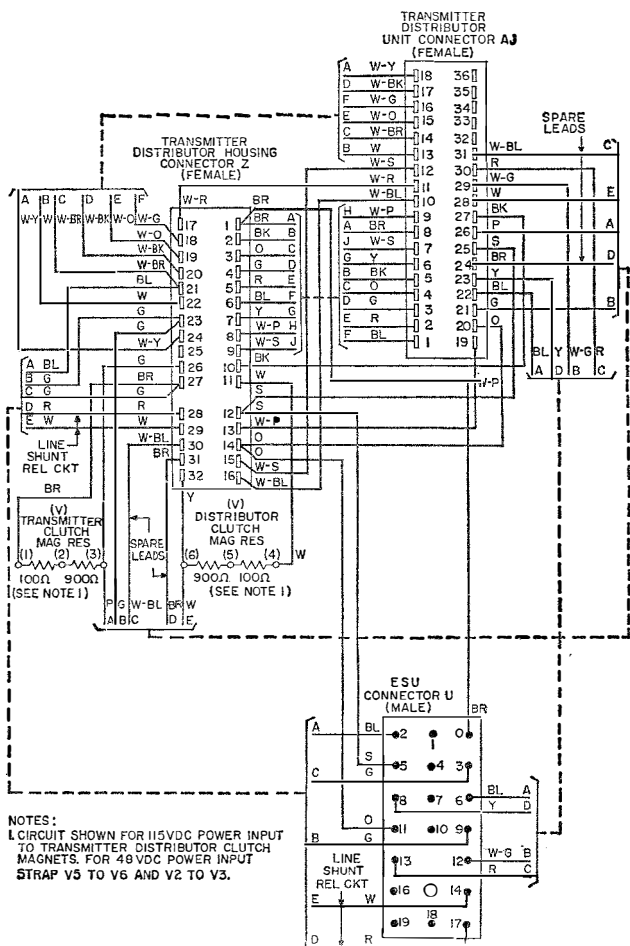
**28 TRANS.-DIST. BASES  
AND 28 TRANS.-  
DIST.**

**P34.320**

**HOUSINGS  
WIRING  
DIAGRAM**



28F Transmitter-Distributor Base

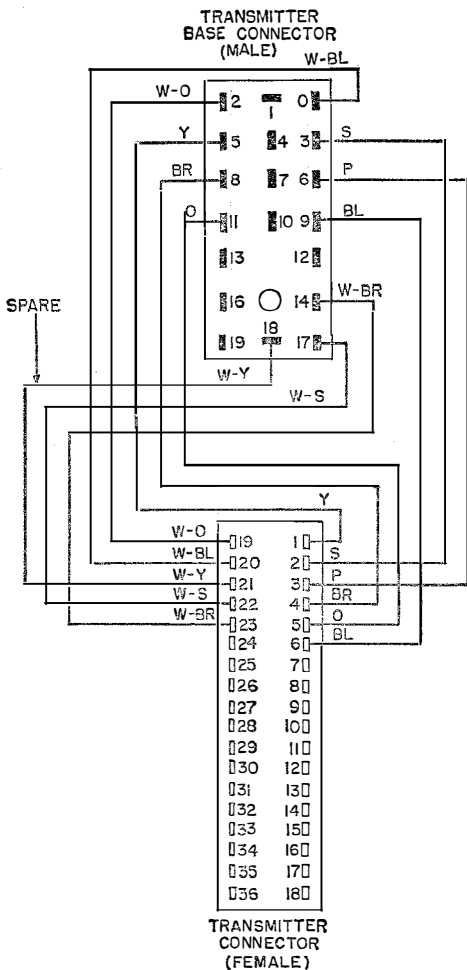


### 28G Transmitter-Distributor Base

28 TRANS.-DIST. BASES  
 AND 28 TRANS.-  
 DIST.

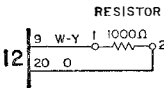
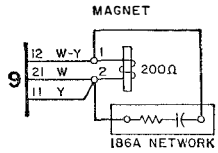
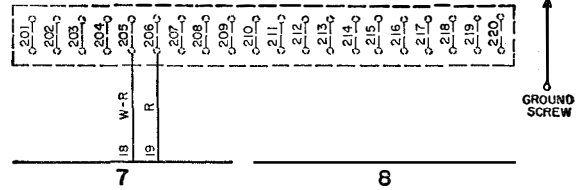
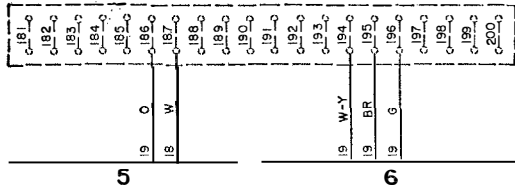
**P34.320**

HOUSINGS  
 WIRING  
 DIAGRAM

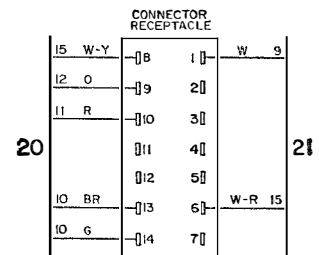
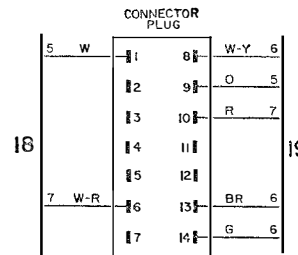
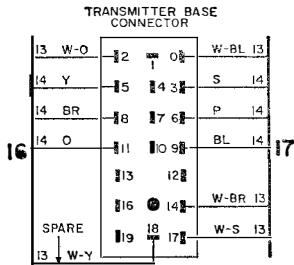
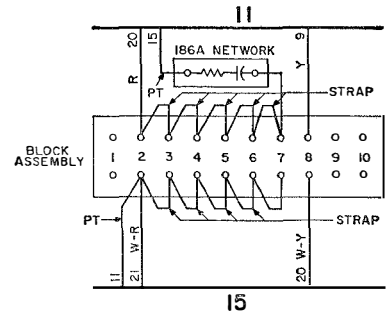
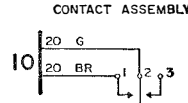
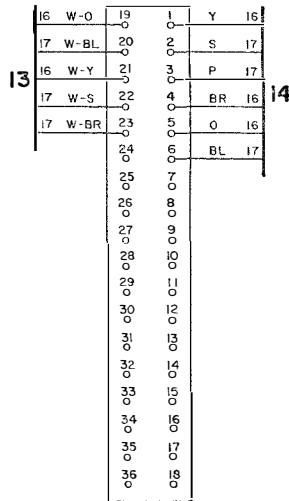


**28H Transmitter-Distributor Base**

CABINET TERMINAL BLOCKS



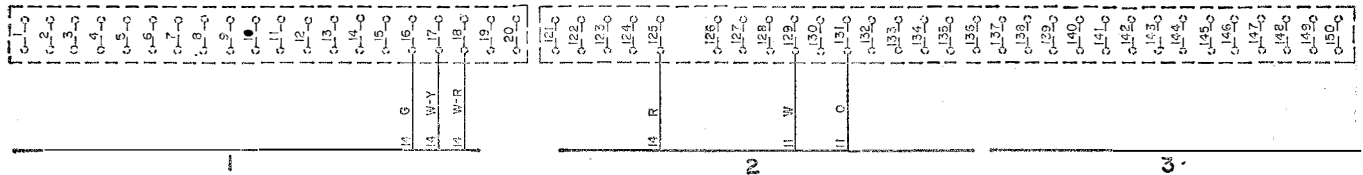
TRANSMITTER CONNECTOR



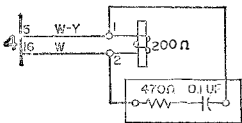
28H-2 Transmitter-Distributor Base

28 TRANS.-DIST. BASES  
AND 28 TRANS.-  
DIST.  
HOUSINGS  
P34.320 WIRING  
DIAGRAM

**C**  
CABINET TERMINAL BLOCKS

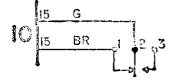


**AA**

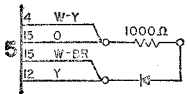


**AC**

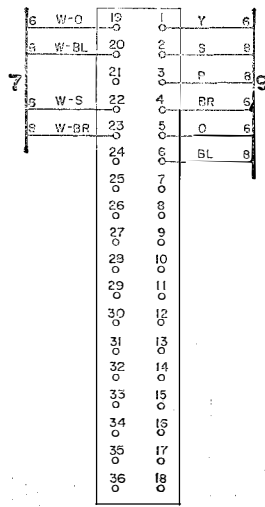
CONTACT ASSEMBLY



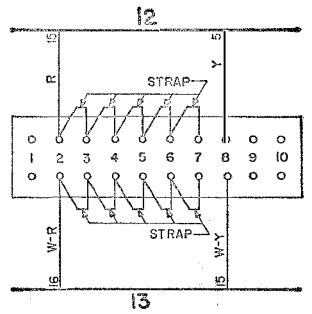
**AF**



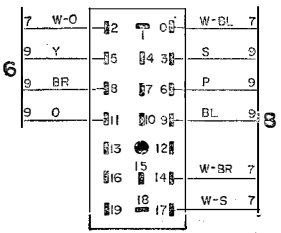
**M**  
TRANSMITTER CONNECTOR



**AB**  
BLOCK ASSEMBLY

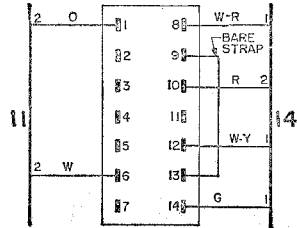


**U**  
TRANSMITTER BASE CONNECTOR



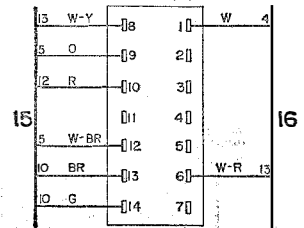
**AD**

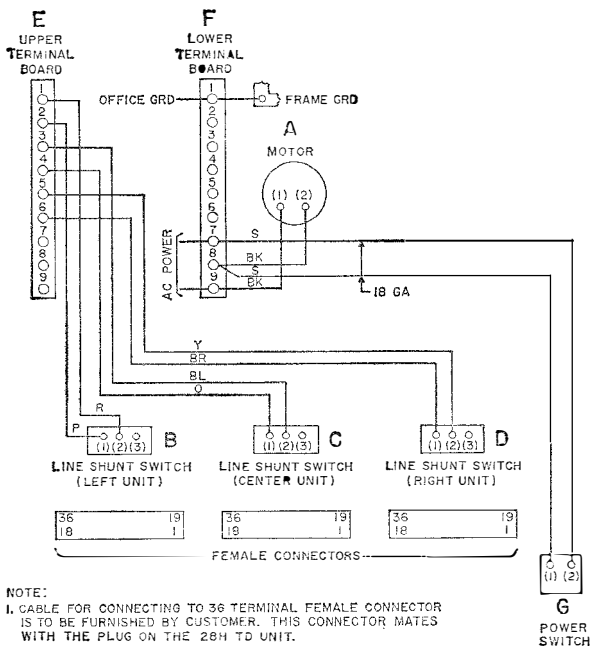
CONNECTOR PLUG



**AC**

CONNECTOR RECEPTACLE



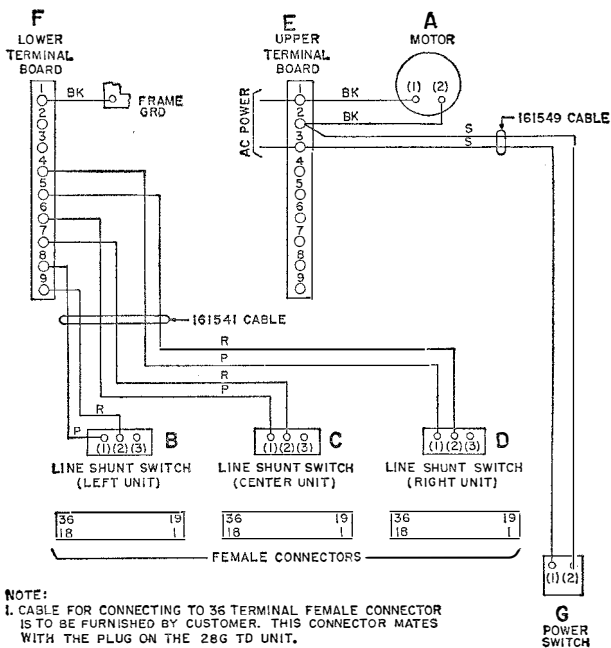


## 28J Transmitter-Distributor Base

28 TRANS.-DIST. BASES  
AND 28 TRANS.-  
DIST.  
HOUSINGS  
WIRING  
DIAGRAM

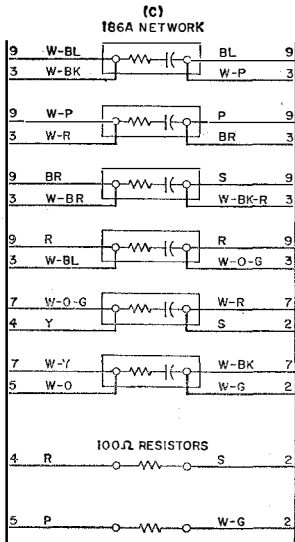
P34.320

Page 7



## 28K Transmitter-Distributor Base





(w)  
CONNECTOR

10 S	50	25	
10 W-BK	49	24	
10 W-BR	48	23	W-G 7
10 W-R	47	22	W-G 7
10 W-O	46	21	W-BK-R 7
10 W-Y	45	20	R-G 7
10 W-BL	44	19	Y 1
10 W-G	43	18	R 1
10 BR	42	17	W-BL 7
10 W-BK-R	41	16	W-P 7
10 G	40	15	BR 7
9 W-O	39	14	W-S 7
9 W-Y	38	13	Y 7
9 W-G	37	12	BK 8
1 W-BK	36	11	O 8
1 W-R	35	10	G 8
1 W-BR	34	9	
1 W-BL	33	8	
9 O	32	7	W-BR 8
9 Y	31	6	R 8
9 G	30	5	BL 8
2 W-P	29	4	W-BL 8
2 BR	28	3	R 8
2 W-BK-R	27	2	W-G 8
2 W-O-G	26	1	R-G 8

(y)  
CONNECTOR

10 BR	10	24
10 R	11	23
10 P	12	22
10 Y	13	21
10 G	14	20
10 BL	15	19
10 W-R	16	18
1 W-O	17	17
1 P	18	16
8 W-S	19	15
8 O	20	14

(DA)  
CONNECTOR

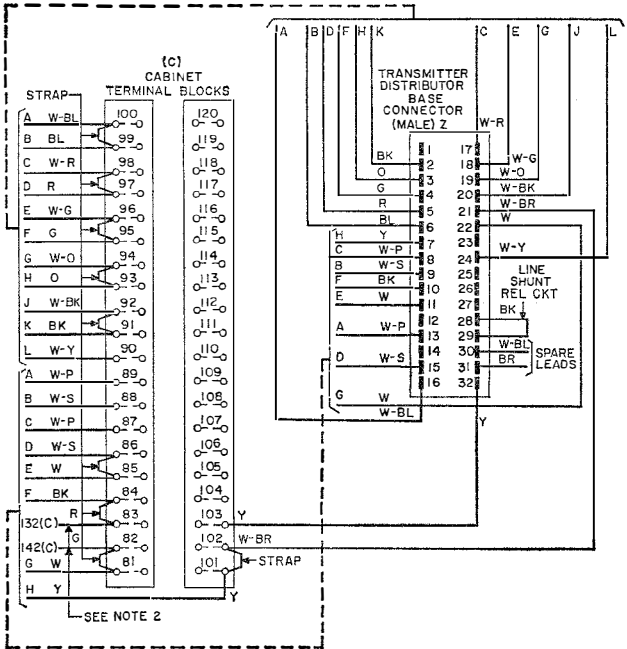
1 W-Y	36	18		
2 W-BK	35	17		
4 W-G	34	16		
4 W-O	33	15		
4 W-BK-R	32	14	BK 4	
4 R-G	31	13	O 4	
1 W-O-G	30	12	G 4	
2 W-R	29	11		
4 W-BL	28	10		
4 R-G	27	9	W-S 5	8
1 W-O-G	26	8	O 5	
2 W-R	25	7	W-BR 4	
4 W-BL	24	6	R 4	
4 W-P	23	5	BL 4	
4 BR	22	4	W-BL 4	
4 W-S	21	3	R 4	
4 Y	20	2	W-G 4	
	19	1	R-G 4	

(b)  
CONNECTOR

3 W-O	18	36	BR 5
3 W-Y	17	35	R 5
3 W-G	16	34	P 5
1 W-BL	15	33	Y 5
1 W-P	14	32	G 5
1 BR	13	31	BL 5
1 R	12	30	W-R 5
3 O	11	29	S 3
3 Y	10	28	W-BK 3
1 BR	9	27	W-BR 3
1 R	8	26	W-R 3
3 O	7	25	W-O 3
3 Y	6	24	W-Y 3
3 G	5	23	W-BL 3
2 BL	4	22	W-G 3
2 P	3	21	BR 3
2 S	2	20	W-BK-R 3
2 R	1	19	G 3

28LA Transmitter-Distributor Base

(SEE NOTE 1)



NOTES:

1. THE TRANSMITTER DISTRIBUTOR HOUSING SET OF PARTS IS USED WITH BOTH THE 28F AND 28G TRANSMITTER DISTRIBUTOR BASES WHEN USED WITH THE ASR CABINET.
2. DC SUPPLY FOR USE WITH 28F OR 28G TRANSMITTER DISTRIBUTOR UNIT.

**28F and 28G Transmitter-Distributor Housing**

**BELL SYSTEM PRACTICES**  
**Teletypewriter and Data Stations**

**ADDENDUM P34.320**  
**Issue 2, September, 1961**  
**AT&T Co Standard**

# **28 TRANSMITTER-DISTRIBUTOR BASES AND 28 TRANSMITTER-DISTRIBUTOR HOUSINGS WIRING DIAGRAM**

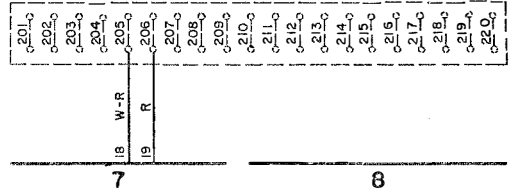
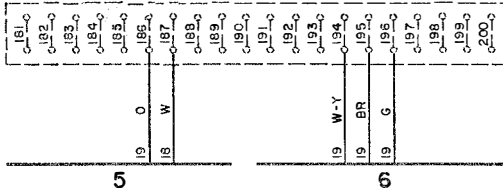
## **I. GENERAL**

1.001 This addendum supplements Section P34.320, Issue 2.

1.002 This addendum is issued to add the wiring of the 28LA transmitter-distributor base. The title has also been changed so as to make it more general instead of listing the individual bases and housings.

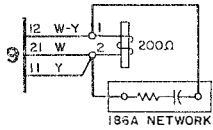


CABINET TERMINAL BLOCKS

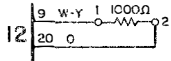


GROUND SCREW

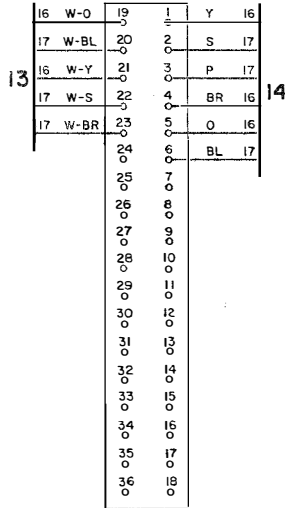
MAGNET



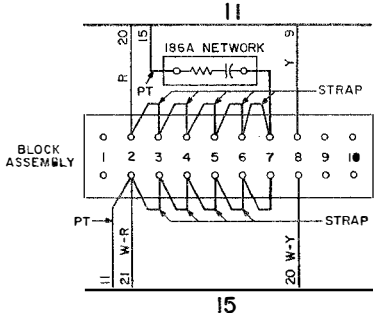
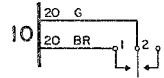
RESISTOR



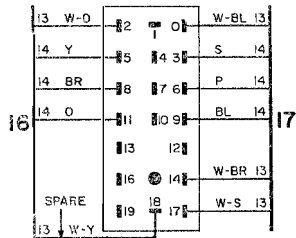
TRANSMITTER CONNECTOR



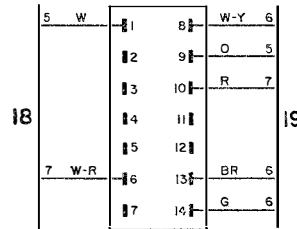
CONTACT ASSEMBLY



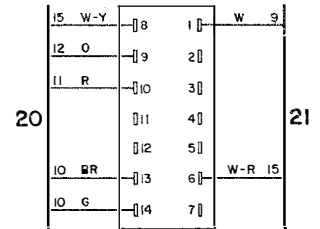
TRANSMITTER BASE CONNECTOR



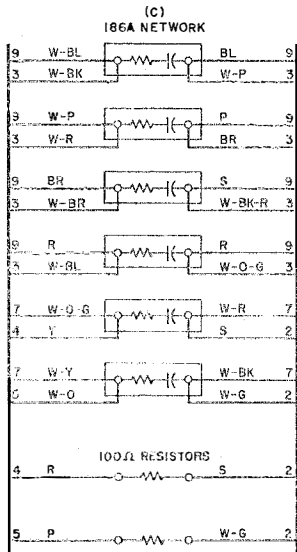
CONNECTOR PLUG



CONNECTOR RECEPTACLE



28H-2 Transmitter-Distributor Base



(W)  
CONNECTOR

10 S	50	25	
10 W-BK	48	24	
10 W-BR	45	23	W-G 7
10 W-R	47	22	W-O 7
10 W-O	46	21	W-BK-R 7
10 W-Y	45	20	R-G 7
10 W-BL	44	19	Y 1
10 W-G	43	18	R 1
10 BR	42	17	W-BL 7
10 W-BK-R	41	16	W-P 7
10 G	40	15	BR 7
9 W-O	39	14	W-S 7
9 W-Y	38	13	Y 7
9 W-G	37	12	BK 9
1 W-BK	36	11	O 8
1 W-R	35	10	G 8
1 W-BR	34	9	
1 W-BL	33	8	
9 O	32	7	W-BR 8
9 Y	31	6	R 8
9 G	30	5	BL 8
2 W-P	29	4	W-BL 8
2 BR	28	3	R 8
2 W-BK-R	27	2	W-G 8
2 W-O-G	26	1	R-G 8
	25	0	

(Y)  
CONNECTOR

10 BR	12	04
10 R	11	03
10 P	10	02
10 Y	09	01
10 G	08	00
10 BL	07	19
10 W-R	06	18
1 W-O	05	17
1 P	04	16
8 W-S	03	15
8 O	02	14
	01	13
	00	12

(DA)  
CONNECTOR

1 W-Y	36	18	
2 W-BK	35	17	
4 W-G	34	16	
	33	15	
	32	14	
1 W-Y	31	13	BK 4
2 W-BK	30	12	O 4
4 W-G	29	11	G 4
4 W-O	28	10	
4 W-BK-R	27	9	W-S 5
4 R-G	26	8	O 5
1 W-O-G	25	7	W-BR 4
2 W-R	24	6	R 4
4 W-BL	23	5	BL 4
4 W-P	22	4	W-BL 4
4 BR	21	3	R 4
4 W-S	20	2	W-G 4
4 Y	19	1	R-G 4
	18	0	

(B)  
CONNECTOR

	18	36	BR	5
	17	35	R	5
	16	34	P	5
	15	33	Y	5
	14	32	G	5
3 W-O	13	31	BL	5
3 W-R	12	30	W-R	5
1 W-BL	11	29	S	3
1 W-P	10	28	W-BK	3
1 BR	9	27	W-BR	3
1 R	8	26	W-R	3
3 O	7	25	W-O	3
3 Y	6	24	W-Y	3
3 G	5	23	W-BL	3
2 BL	4	22	W-G	3
2 P	3	21	BR	3
2 S	2	20	W-BK-R	3
2 R	1	19	G	3
	0	18		