

BELL SYSTEM PRACTICES
Teletypewriter and Data Systems

SECTION P34.327
Issue 1, December, 1961
AT&TCo Standard

28A RECEIVING SELECTOR UNIT

WIRING DIAGRAM

1. GENERAL

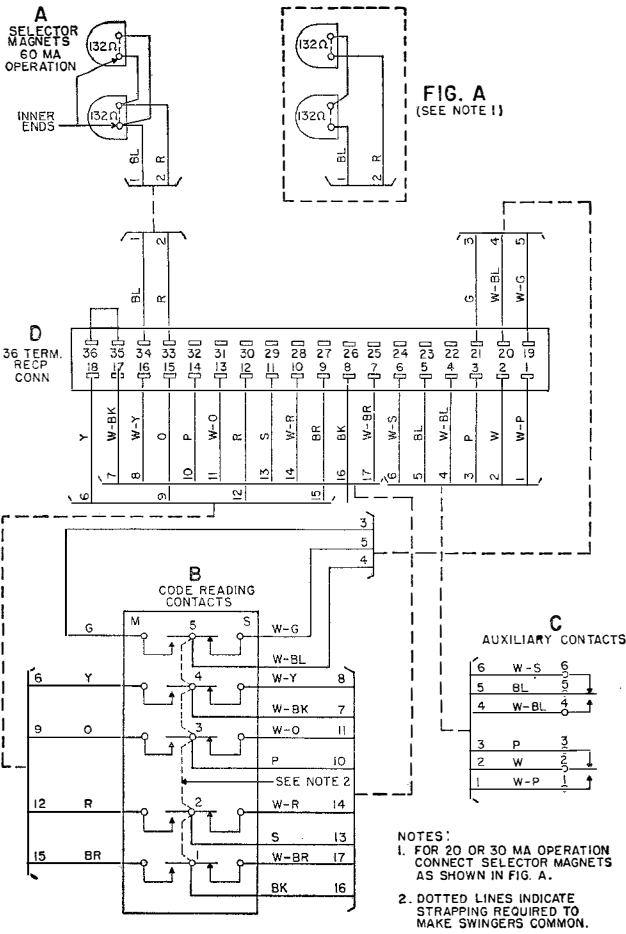
1.01 This section shows the wiring of the 28A receiving selector unit for mounting on a 28A mounting and cover assembly.

**28A RECEIVING
SELECTOR**

P34.327

Page 1

**UNIT
WIRING
DIAGRAM**



28A Receiving Selector Unit