

BELL SYSTEM PRACTICES
Teletypewriter and Data Stations

ADDENDUM P34.504
Issue 1, October, 1961
AT&TCo Standard

28 TELETYPEWRITER CABINET

LUBRICATION

1. GENERAL

1.001 This addendum supplements Section P34.504, Issue 1.

1.002 This addendum is issued to add the lubrication information for the low-paper and paper-out switch assembly used with the 28 teletypewriter cabinet, if the cabinet is so equipped.

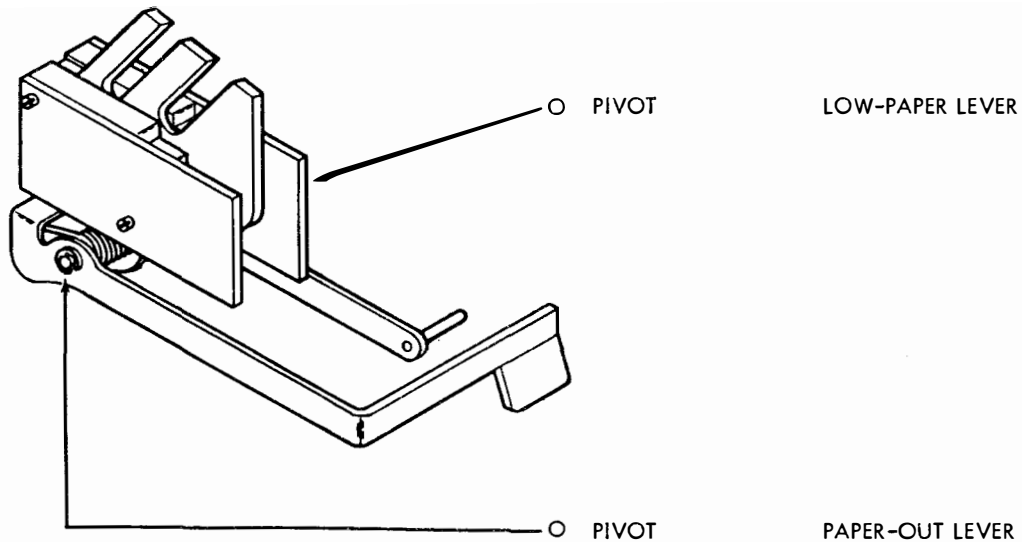
2. LUBRICATION DETAILS

The following change applies to Part 2 of the section:

(a) 2.06—added

28 TELETYPE-
WRITER
CABINET
LUBRI-
ADDENDUM
P34.504

2.06 Low-paper and Paper-out Switch Assembly (Variable Feature)



BELL SYSTEM PRACTICES
Teletypewriter and Data Stations

SECTION P34.504
Issue 1, June, 1961
AT&TCo Standard

28 TELETYPEWRITER CABINET

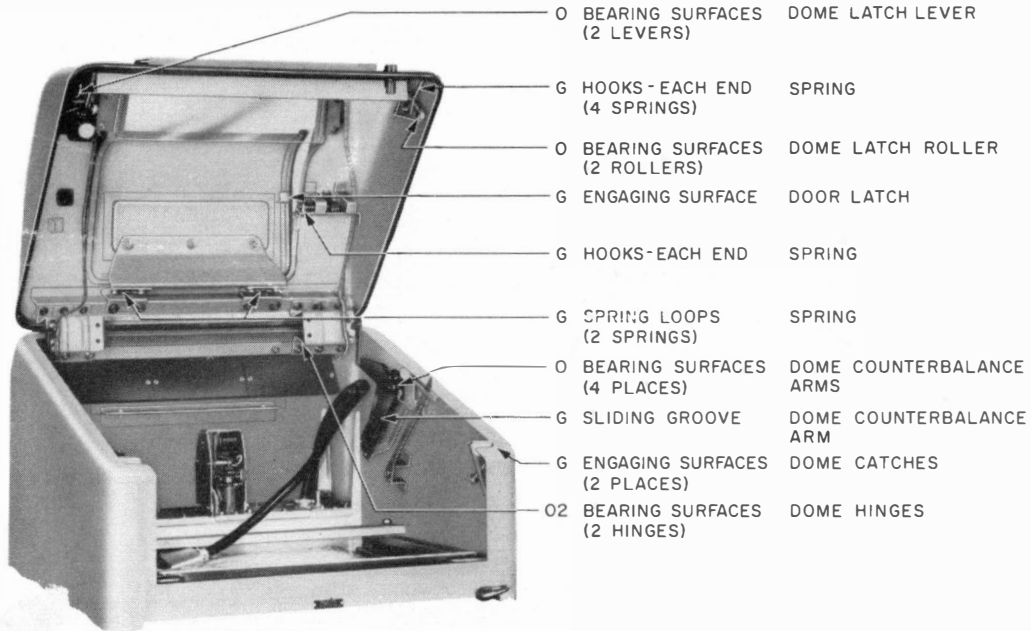
LUBRICATION

1. GENERAL

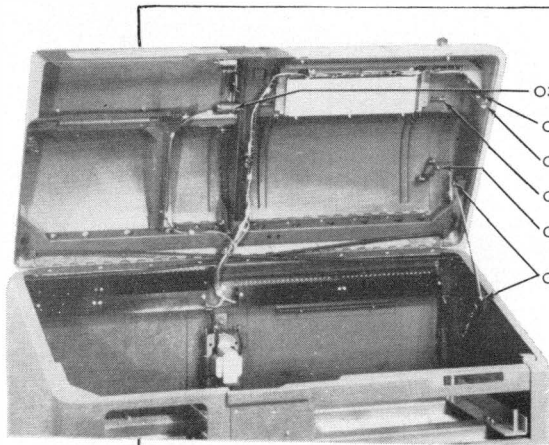
1.01 This section provides the specific lubrication routines for the maintenance of 28 teletypewriter cabinets. The information herein, together with the instructions in the section entitled Teletypewriter Apparatus, Lubrication, General Information and Routines, gives the complete lubrication information necessary for the maintenance of 28 teletypewriter cabinets. The lubrication symbols used in this section are the same as those given in the general section. The symbol 0, however, is used in this section to mean only one drop of oil.

2. LUBRICATION DETAILS

2.01 28A to 28E Cabinets



2.02 28F and 28G Cabinets

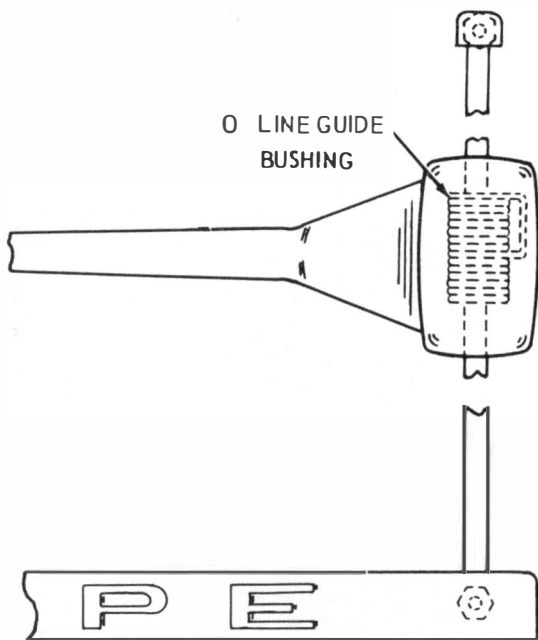


- O3 SLIDING SURFACE - SPRING
- O BEARING SURFACE (2 PLACES)
- G LATCHING SURFACE (2 PLACES)
- G LATCHING SURFACE (ALL LATCHES)
- O BEARING SURFACES AND SPRING
- O BEARING SURFACE (2 PLACES)

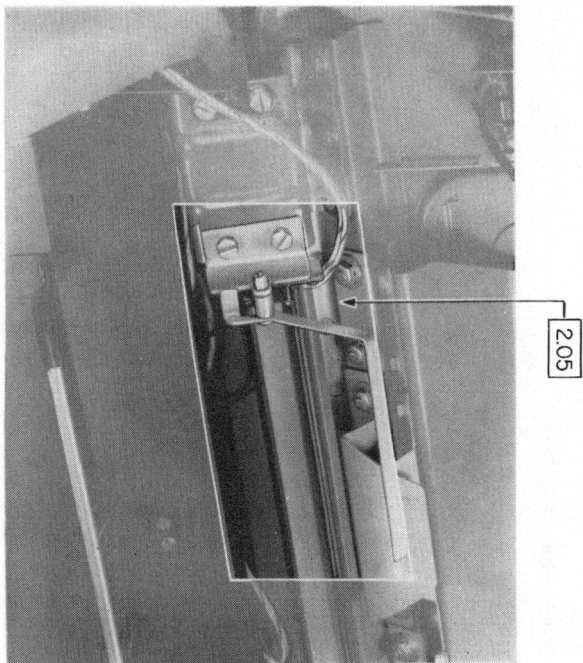
- TORSION SPRING - UPSTOP
- DOMELATCH
- DOMELATCH
- ALL DOORS
- RIGHT TOP DOOR UPSTOP ARM
- DOMEL UPSTOP ARM

28 TELETYPE-
 WRITER
 CABINET
 LUBRICATION
 P34.504

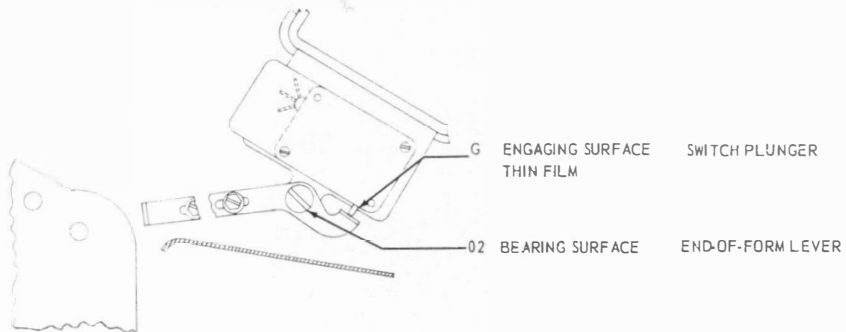
2.03 Copyholder and Line Guide (Variable Feature)



2.04 Form-out Alarm Mechanism (Variable Feature)



2.05 Form-out Alarm Mechanism (Continued)



10-11-68
MIBAS
1111
404
53X 204
78 1111

3. ASSOCIATED BELL SYSTEM PRACTICES

3.01 The following Bell System Practices provide additional information that may be required in connection with this section.

<u>Subject</u>	<u>Section</u>
Teletypewriter Apparatus, Lubrication, General Information and Routines	P30.011
Teletypewriter Apparatus, General Requirements and Procedures	P30.012
Teletypewriter Apparatus, Disassembly and Reassembly, General Information and Routines	P30.013
Teletypewriter Tools and Maintenance Supplies..	P30.301
Teletypewriter Apparatus, Preparation of Apparatus for Installation	P33.014
Alphabetical Index of 28-type Equipment, Bell System Practices, and Associated 28 ASR Sta- tion Drawings	P34.001

