

28B AND 28C TRANSMITTER- DISTRIBUTOR UNITS LUBRICATION

<u>CONTENTS</u>	<u>PARAGRAPH</u>
1. GENERAL	1.01-1.05
2. GENERAL LUBRICATION PHOTOGRAPHS..	2.01
3. PARTS TO BE LUBRICATED*	3.01-3.20
4. ASSOCIATED BELL SYSTEM PRACTICES...	4.01

1. GENERAL

1.01 This section contains the detailed lubrication procedures for the 28B and 28C transmitter-distributor units. The information herein, together with that in the section covering general information and routines for lubrication of teletypewriter apparatus, provides for the complete lubrication of these units.

1.02 This section replaces Sections P34.602, Issue 1, and P34.603, Issue 1, and brings up to date the lubrication procedures for the 28B and 28C transmitter-distributor units.

1.03 The lubricants to be used and their methods of application are those given in the general lubrication section. The lubrication symbols used herein are the same as those given in the general section except that, in this section, the symbol O is used to mean only one drop of oil, O2 to mean two drops of oil, and G to mean that a thin film of grease should be applied at the points indicated.

*Common to 28B and 28C units unless otherwise indicated.

**28B AND 28C
TRANS-
MITTER-
DIS-
TRIBUTOR
UNITS**

P34.511

Caution: The transmitter-distributor unit is shipped with the oil reservoir empty. Remove the coverplate for access to the reservoir. Fill the oil reservoir according to the lubrication instructions for Oil Reservoir Assembly.

1.04 Lubrication of the apparatus before it is placed in service should be governed by the principles given in the section covering preparation of teletypewriter apparatus for installation. After a few weeks in operation, the unit should ordinarily be relubricated to make sure that all the specified points have received lubricant. Thereafter, because of varying conditions at each station, the unit should be relubricated as often as specified by local instructions. The following lubrication schedule may be used as a guide.

<u>Operating Speed (Words per Minute)</u>	<u>Lubrication Interval (Whichever Occurs First)</u>
60	3000 hours or 1 year
75	2400 hours or 9 months
100	1500 hours or 6 months

1.05 Unless otherwise indicated, the lubrication procedures in Part 3 of this section are common to both the 28B and the 28C transmitter-distributor unit.

2. GENERAL LUBRICATION PHOTOGRAPHS

2.01 The following photographs (Fig. 1 through 6) show the location on the 28B or 28C transmitter-distributor unit of the mechanisms to be lubricated. Specific lubrication instructions are given in the line drawings in Part 3 of the section. Parts in the line drawings are shown in an upright position unless otherwise indicated. If it is difficult to lubricate a part in the indicated position, the unit should be turned to a position in which the part is more accessible.

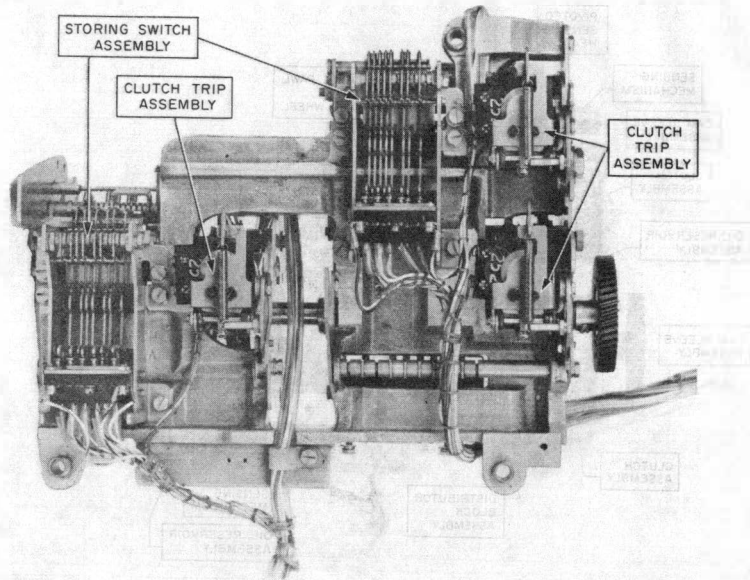


Fig. 1—28B Transmitter-Distributor Unit—Bottom View

28B AND 28C
TRANSMITTER-DIS-
TRIBUTOR
UNITS

P34.511

Page 3

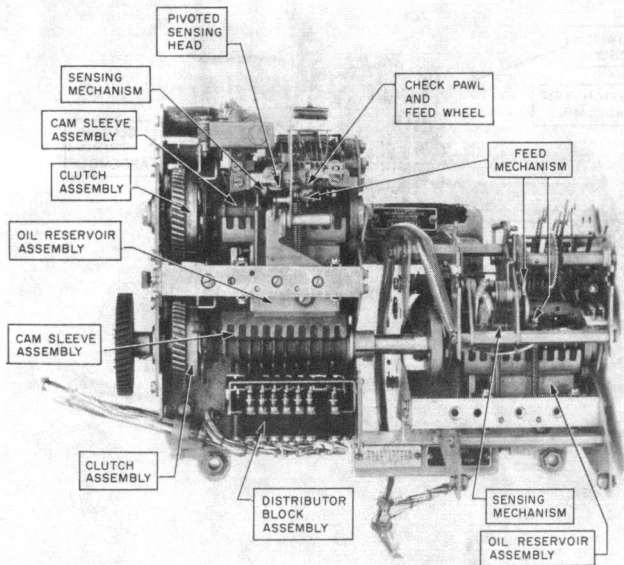


Fig. 2-28B Transmitter-Distributor Unit—Top View

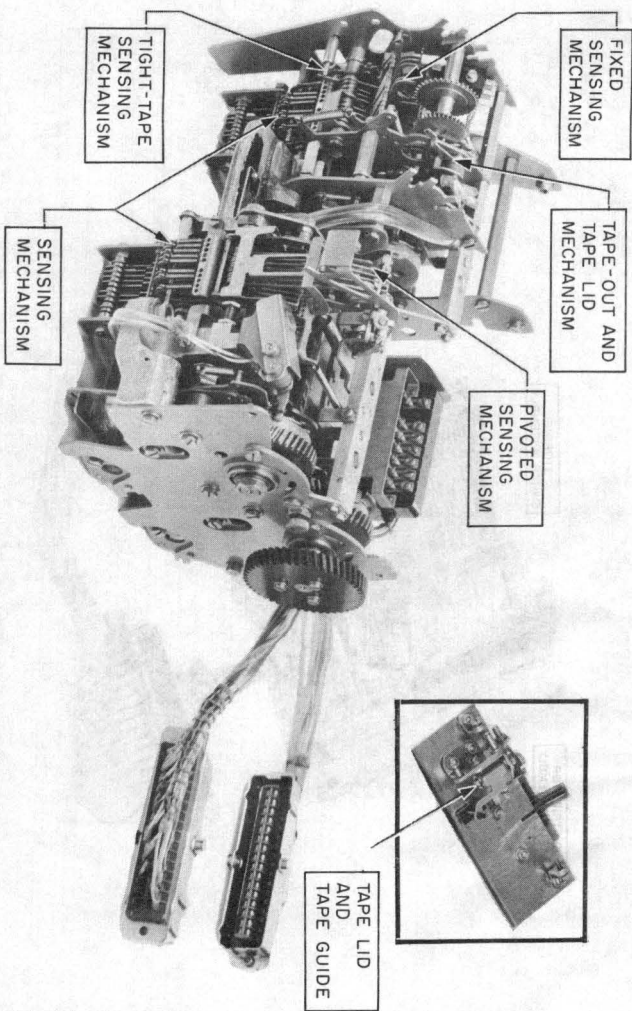


Fig. 3—28B Transmitter-Distributor Unit—Right Rear View

28B AND 28C
 TRANSMITTER-
 DISTRIBUTOR
 UNITS

P34.511

Page 5

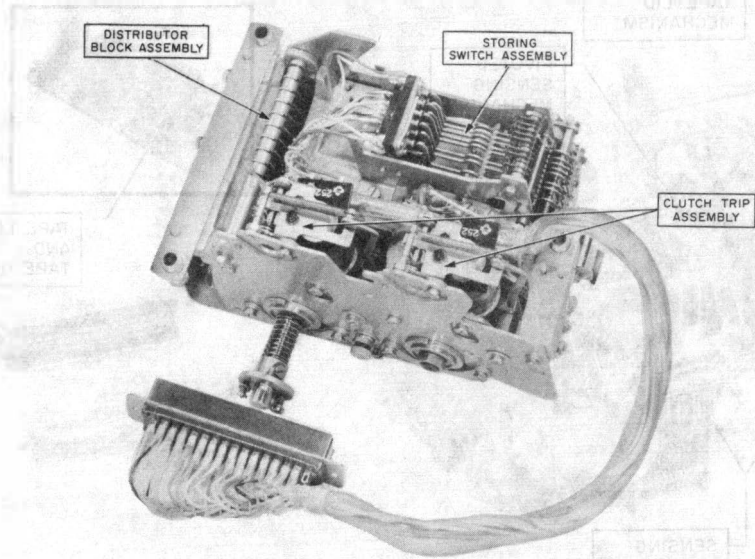


Fig. 4—28C Transmitter-Distributor Unit—Bottom View

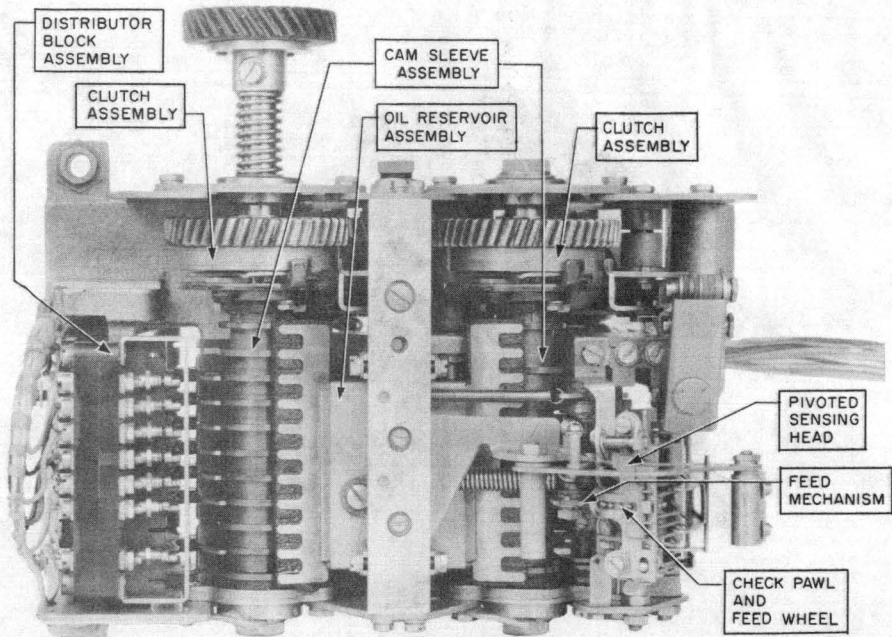


Fig. 5 — 28C Transmitter-Distributor Unit—Top View

28B AND 28C
TRANSMITTER-DISTRIBUTOR
UNITS

P34.511

Page 7

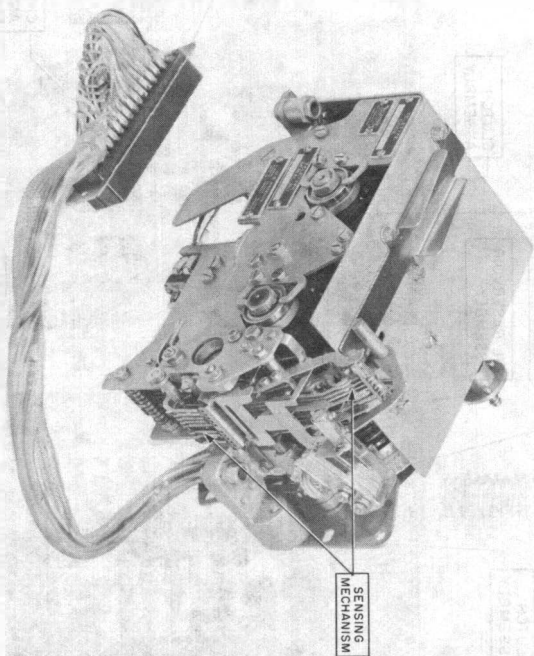
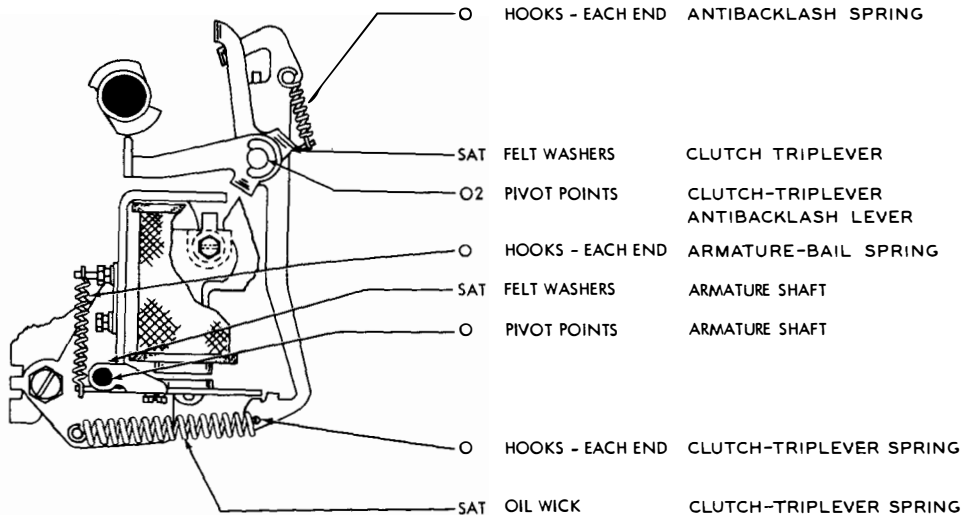


Fig. 6—28C Transmitter-Distributor Unit—Right Front View

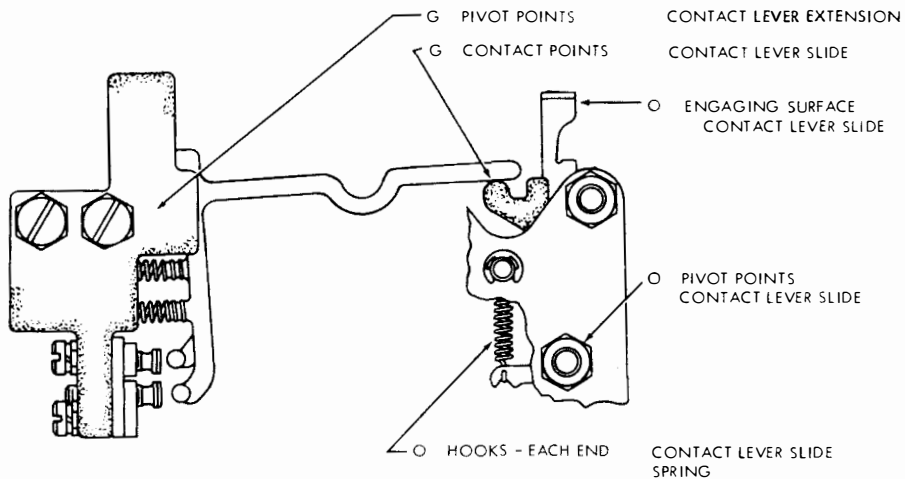
3. PARTS TO BE LUBRICATED

3.01 Clutch-trip Assemblies

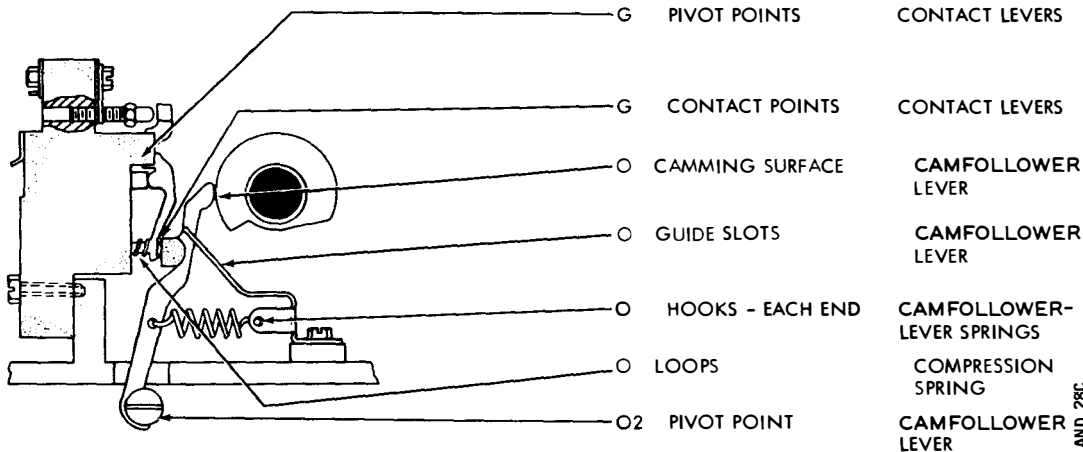


28B AND 28C
TRANS-
MITTER-
DIS-
TRIBUTOR
UNITS

3.02 Storing Switch Assemblies

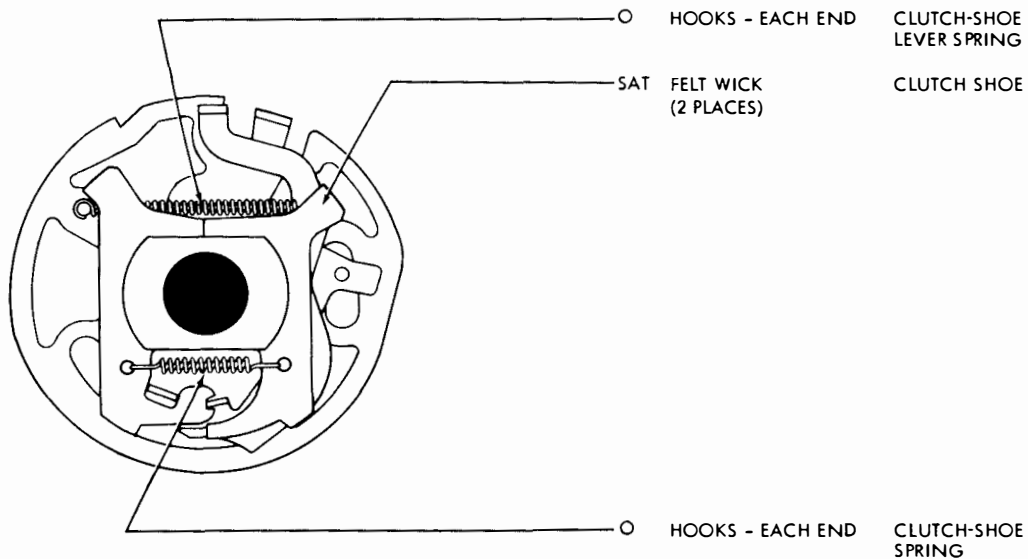


3.03 Distributor Block Assembly

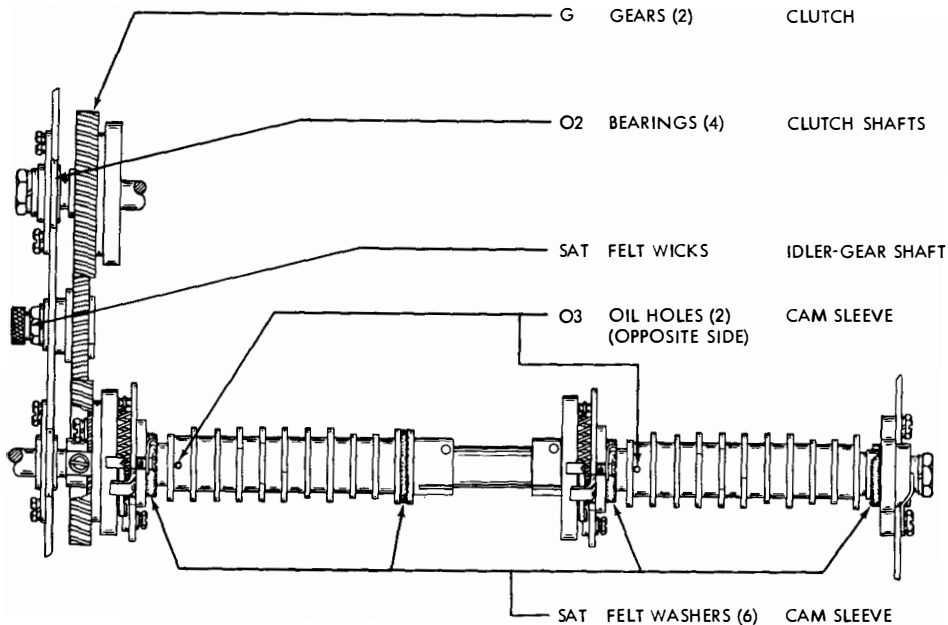


28B AND 28C
 TRANS-
 MITTER-
 DIS-
 TRIBUTOR
 UNITS

3.04 Clutch Assemblies

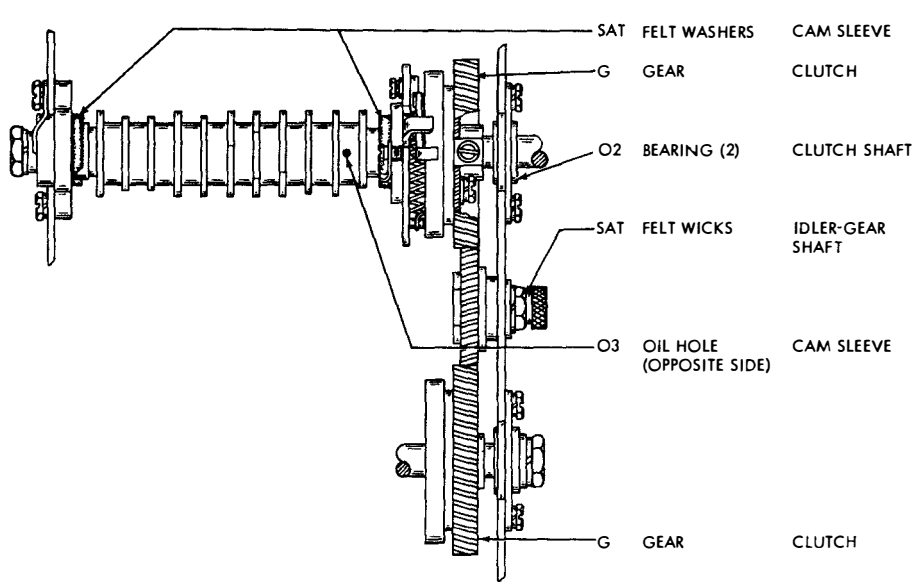


3.05 Cam Sleeve Assemblies (28B Unit)

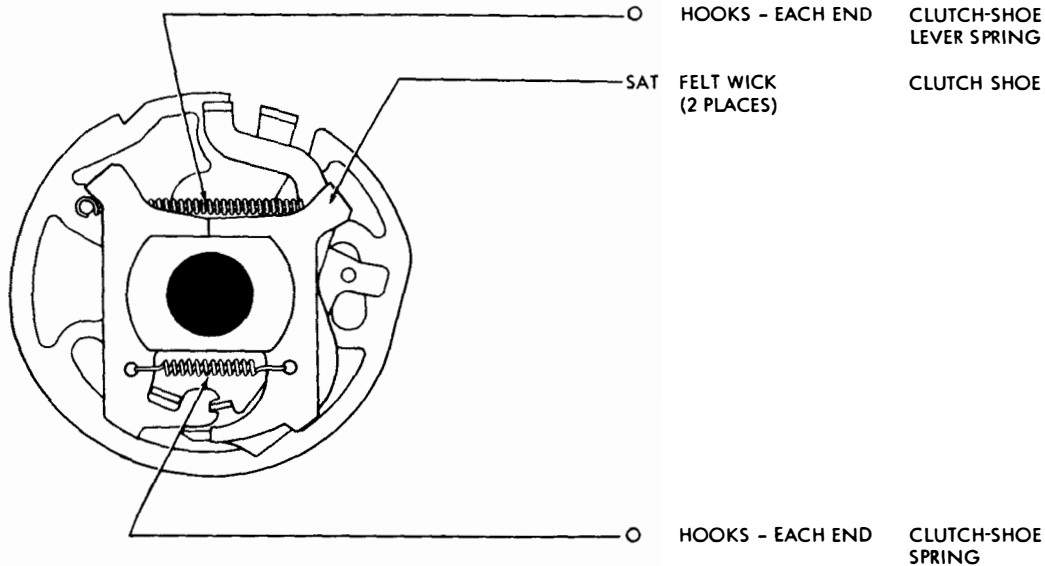


28B AND 28C
TRANS-
MITTER-
DIS-
TRIBUTOR
UNITS

3.06 Cam Sleeve Assemblies (28C Unit)



3.07 Pivoted Sensing Head

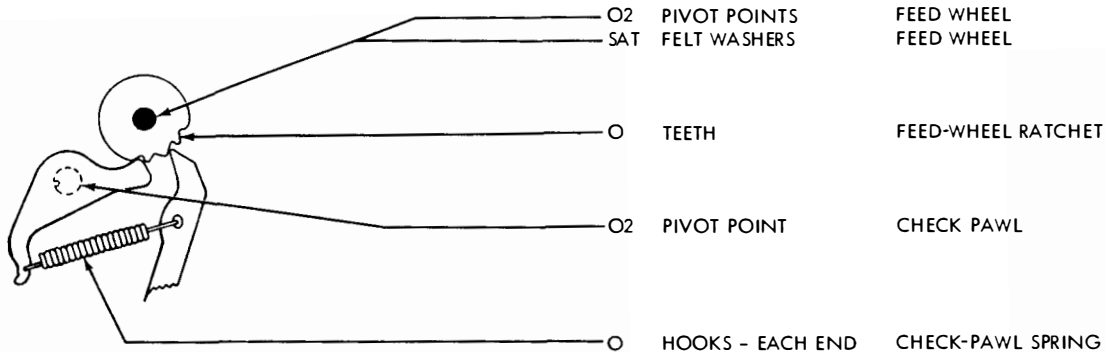


28B AND 28C
TRANS-
MITTER-
DIS-
TRIBUTOR
UNITS

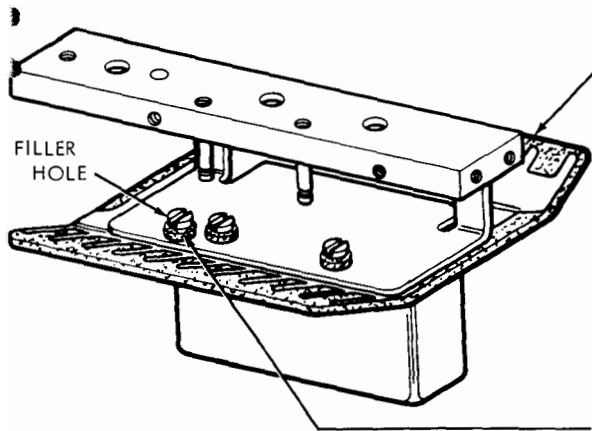
P34.511

Page 15

3.08 Check Pawl and Feed Wheel



3.09 Oil Reservoir Assembly



SAT

WICK

SENSING AND
DISTRIBUTOR CAM

FILL

RESERVOIR

CAM OILER

28B AND 28C
TRANS-
MITTER-
DIS-
TRIBUTOR
UNITS

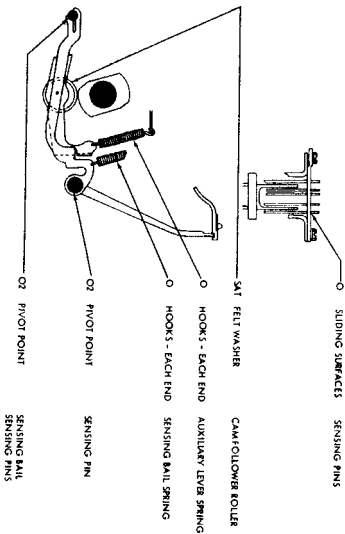
NOTE

OIL DEPTH NOT TO EXCEED 7/8 INCH. USE A 0.010 -
INCH FLAT GAUGE FROM TP117781 SET OF GAUGES AS
A DIP STICK.

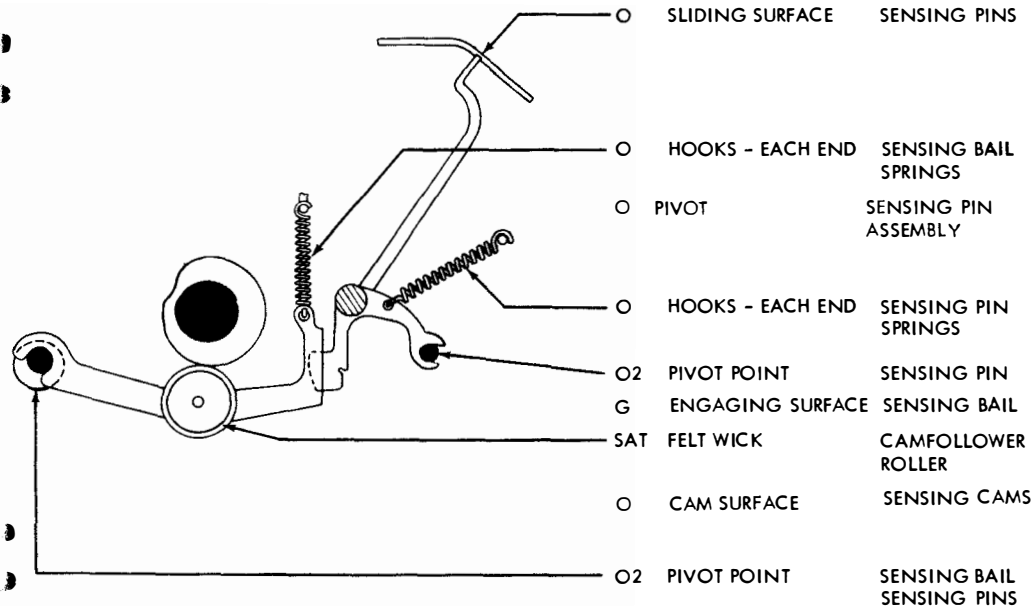
P34.511

Page 17

3.10 Pivoted Sensing Head



3.11 Fixed Sensing Mechanism (28B Unit)

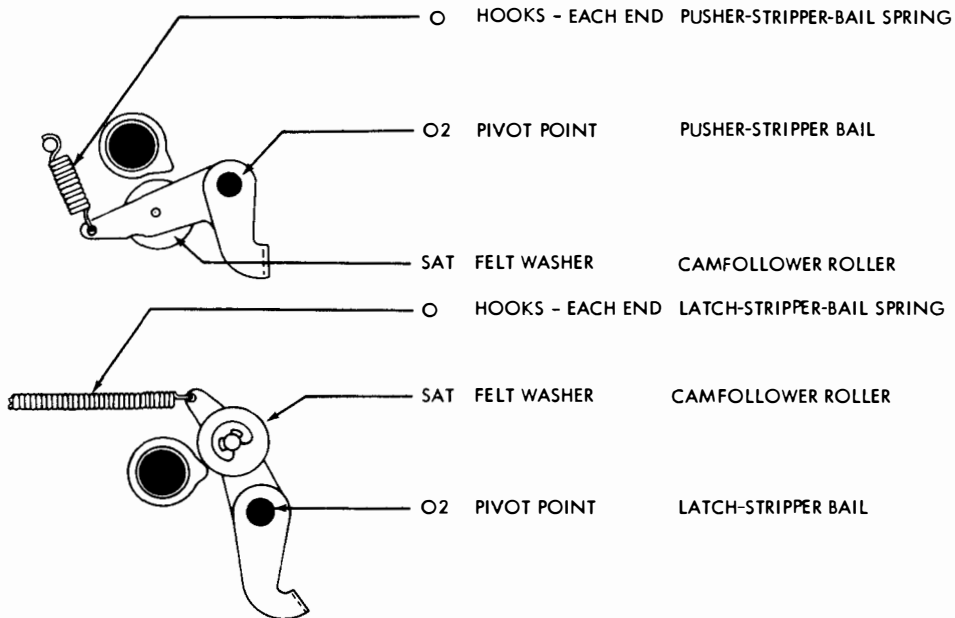


28B AND 28C
TRANS-
MITTER-
DIS-
TRIBUTOR
UNITS

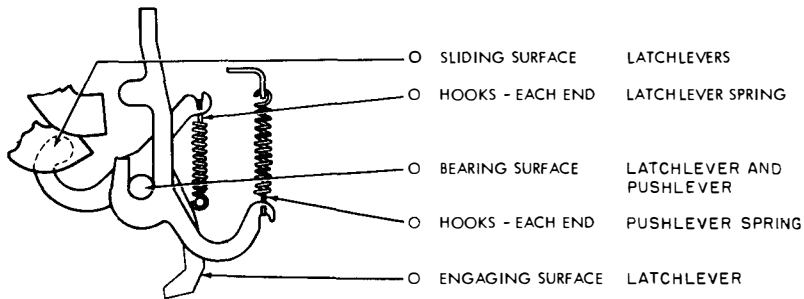
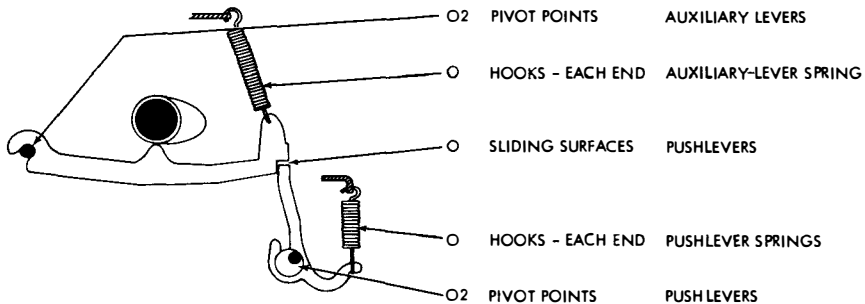
P34.511

Page 19

3.12 Sensing Mechanism

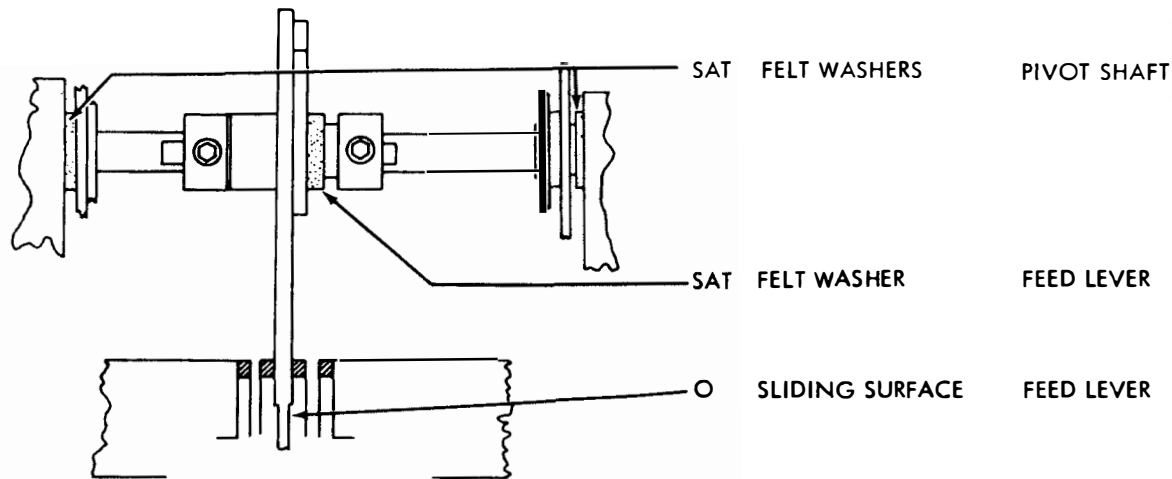


3.13 Sensing Mechanism

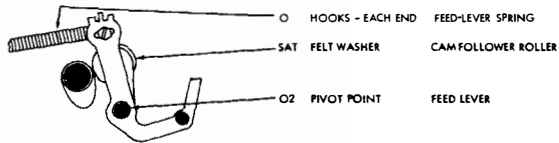
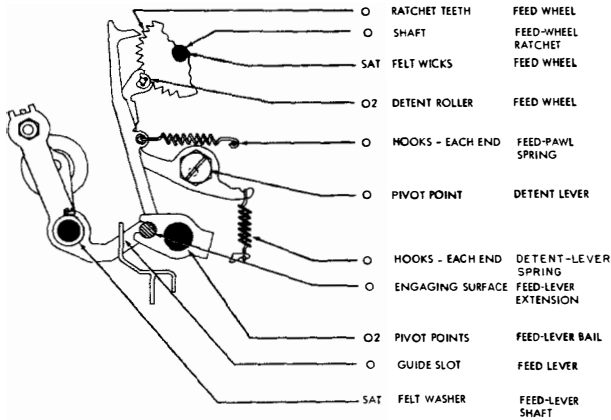


28B AND 28C
TRANS-
MITTER-
DIS-
TRIBUTOR
UNITS

3.14 Feed Mechanism (28B Unit)



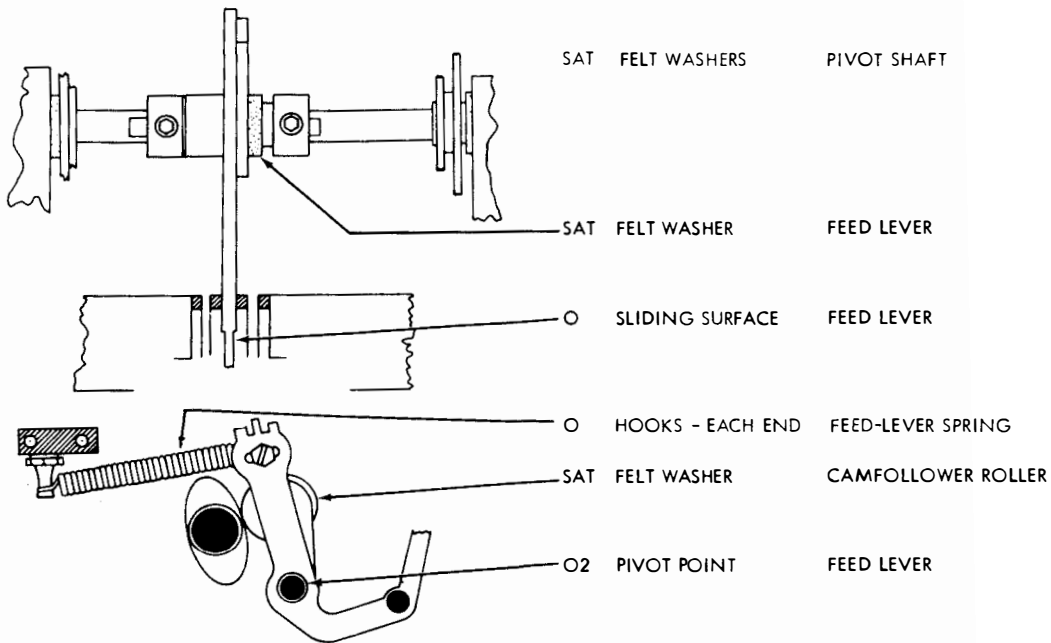
3.15 Feed Mechanism (28B Unit)



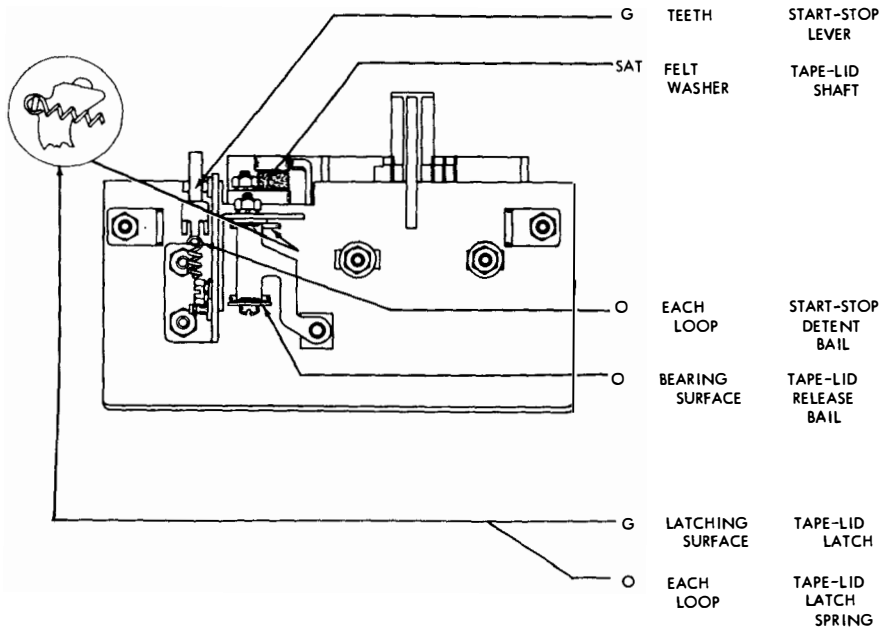
28B AND 28C
TRANS-
MITTER-
DIS-
TRIBUTOR
UNITS

P34.511
Page 23

3.16 Feed Mechanism

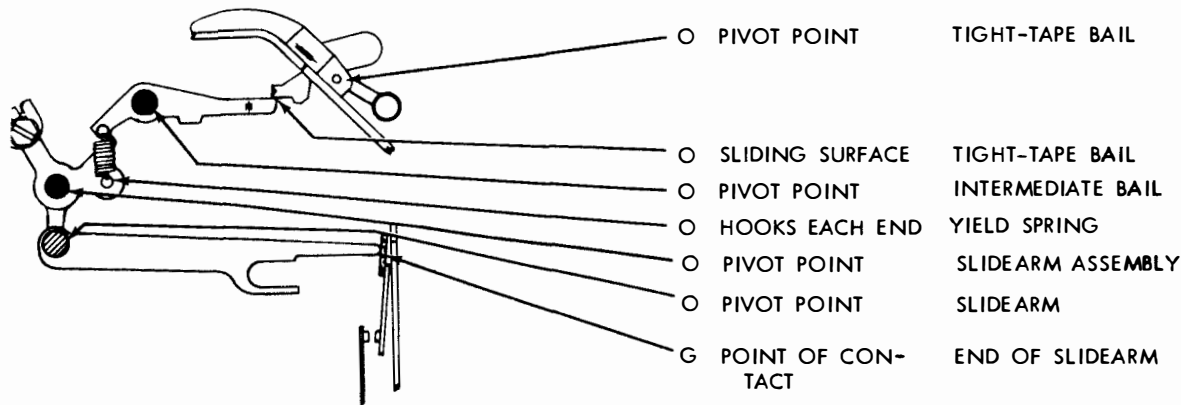


3.17 Tape Lid and Tape Guide (28B Unit)

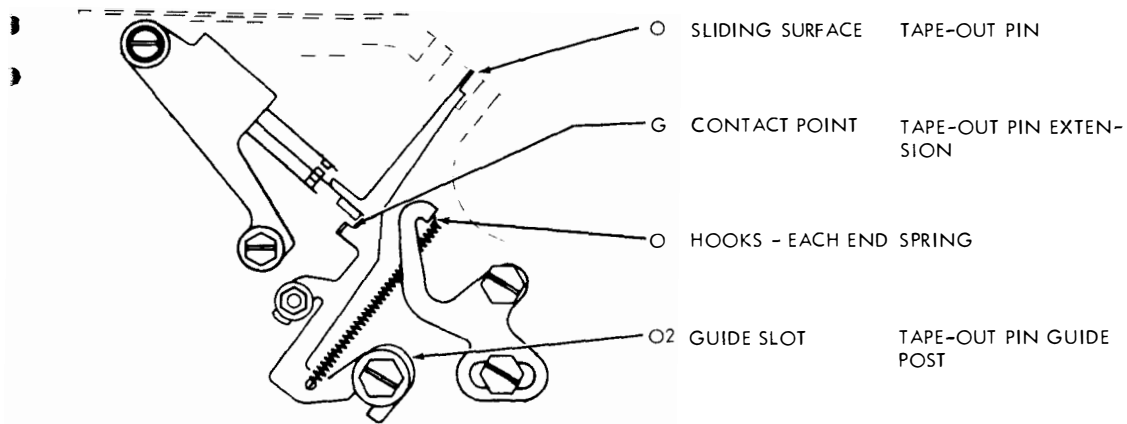


28B AND 28C
TRANS-
MITTER-
DIS-
TRIBUTOR
UNITS

3.18 Tight-tape Sensing Mechanism (28B Unit)



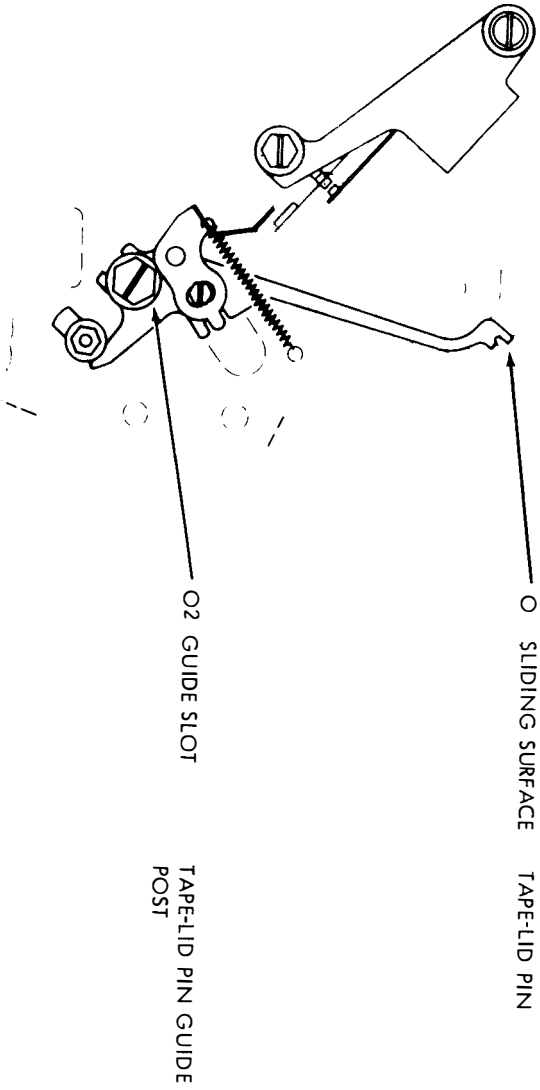
3.19 Tape-out Mechanism (28B Unit)



28B AND 28C
TRANS-
MITTER-
DIS-
TRIBUTOR
UNITS

P34.511
Page 27

3.20 Tape-lid Mechanism (28B Unit)



4. ASSOCIATED BELL SYSTEM PRACTICES

4.01 Other Bell System Practices that may be required in connection with this section are listed in Section P34.001, Alphabetical Index of 28-type Equipment, Bell System Practices, and Associated 28ASR Station Drawings.

P34.511
Page 29
29 Pages

**28B AND 28C
TRANS-
MITTER-
DIS-
TRIBUTOR
UNITS**

