

**BELL SYSTEM PRACTICES**  
**Teletypewriter and Manual**  
**Telegraph Station and P.B.X.**  
**Installation and Maintenance**

**SECTION P40.301**  
**Issue 2, September, 1943**  
**AT&T Co Standard**

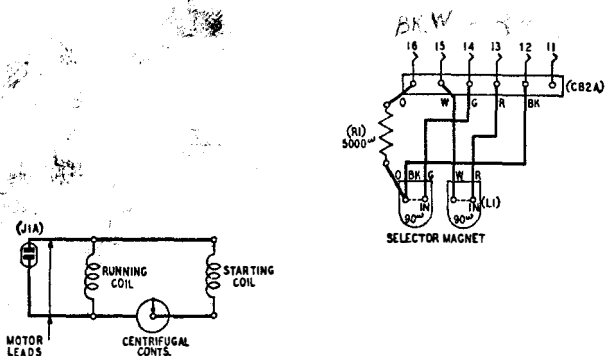
## NO. 26 TELETYPEWRITER WIRING DIAGRAMS

### 1. GENERAL

1.01 This section gives the wiring of the various apparatus units of the No. 26 teletypewriter as they are delivered from the factory.

1.02 The section is reissued to add Fig. 3 and to omit internal wiring variations as these are covered in the station connection drawings.

1.03 The drawings on which this section is based are ES-625200, Issue 4 and ES-630446, Issue 3.



**Fig. 1—No. 26A and B Typing Units (Synchronous Motor)**

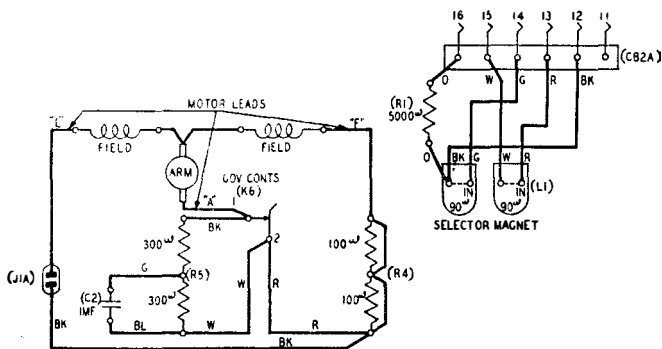


Fig. 2—No. 26C and D Typing Units (D-C Motor)

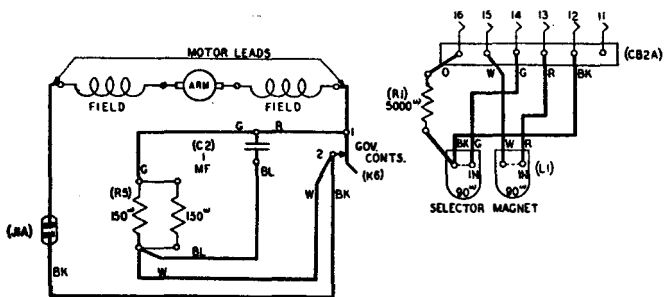


Fig. 3—No. 26E and F Typing Units (A-C Series Motor)

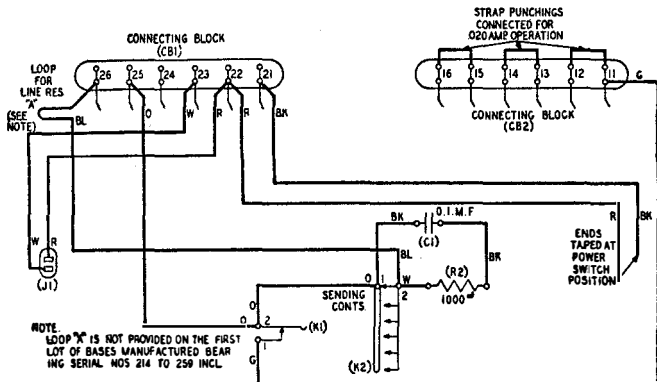


Fig. 4—No. 26A and B Teletypewriter Bases

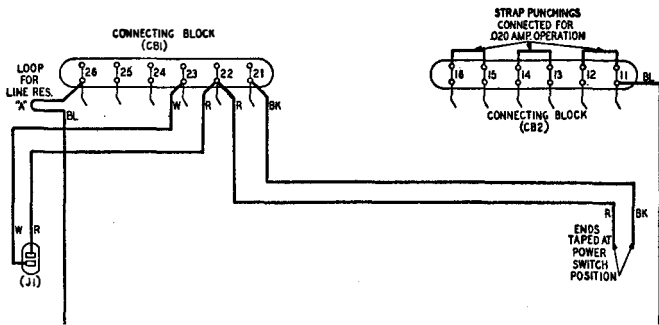


Fig. 5—No. 26C Teletypewriter Base

