

INSTRUCTIONS FOR INSTALLING THE 192260\*\* MODIFICATION  
KIT TO PROVIDE THE MODEL 35 CABINET WITH FORM  
SUPPLY AND ACCUMULATING SHELF

1. GENERAL

a. The 192260\*\* modification kit consists of a form supply and accumulating shelf used to store forms fed into the Model 35 Cabinet, and to accumulate the forms when completed.

b. The form supply portion of the shelf is capable of holding forms up to 9 inches wide and 11 inches in length, and the accumulating shelf will hold forms from 3-5/8 to 11 inches in length with a capacity equal to the Model 28 counterpart.

c. The 192260\*\* modification kit consists of:

12	2191	Lockwasher	2	151658	Screw
16	3598	Nut	1	153842	Clip, Paper Holder
2	7002	Washer, Flat	2	165255	Screw
2	85976	Washer, Flat	2	172745	Bushing
2	102755	Screw	1	192249**	Shelf, Paper Box
2	142352	Bumper, Rubber	1	192259**	Shelf, Paper
2	150040	Screw	1	195839	Bracket, Back Stop
2	150432	Washer, Flat	1	192262**	Plate, Deflector
2	151346	Screw	1	192264**	Plate, Mounting
2	151618	Screw	2	195861	Extension, Foot
2	151657	Screw			

d. The double asterisk (\*\*) after a number indicates a two letter suffix (for Bell System a two digit suffix) to designate the paint finish.

e. For parts referred to other than those listed here, see Teletype Bulletin 1187B.

2. INSTALLATION (Figures 1 and 2)

a. Assemble one 195861 foot extension on each cabinet foot as follows (see Figure 1):

(1) Block up one side of cabinet approximately 6 to 8 inches.

(2) Remove bolts #1, #2, and #3 (as numbered in Figure 1) with a 7/16 inch socket wrench or screwdriver.

(3) Loosen bolt #4 (do not remove), and slip the 195861 foot extension over the cabinet foot from the rear until it stops against bolt #4. Position the extension as necessary to replace the three bolts and tighten all four bolts securely.

(4) Lower cabinet and repeat above procedures for other foot.

b. Assemble the form supply and accumulating shelf as shown in Figure 2.

c. The 195839 backstop and the 192262\*\* deflector plate are both hinged and are mounted on the top of the 192259\*\* shelf.

d. Set the 195839 backstop for the length of form desired, however do not tighten the mounting screws as the final position of the backstop will have to be adjusted. For 11 inch forms, the rearmost holes in the 192259\*\* shelf are used. These holes are spaced one inch apart to accommodate 11, 10, 9, 8, 7, or 6 inch forms. If forms under 6 inches are to be used, the setting for 6 inch forms will accumulate them properly.

e. Assemble the two 102755 screws, two 150432 flat washers, two 85976 flat washers, two 2191 lockwashers, and the two 3598 nuts to the 192264\*\* mounting plate.

f. Attach the 192264\*\* mounting plate to the holes in the rear edge of the pedestal using the two 165255 self-tapping screws.

g. Mount the form supply and accumulating shelf assembly to the 192264\*\* mounting plate by placing the mounting slots so they rest on the 150432 flat washers, and are held in place by the 85976 flat washers.

h. To facilitate feeding paper into the slot at the rear of the cabinet, slip the 153842 paper clip onto the 192249\*\* paper box shelf between the cabinet and the paper box shelf approximately 1/2 inch from the right side of the shelf as viewed from the rear.

### 3. ADJUSTMENTS AND LUBRICATION (Figure 3)

a. For adjustments and lubrication of related equipment refer to the appropriate sectionalized information.

b. Make the adjustment given on Figure 3.

\* \* \*

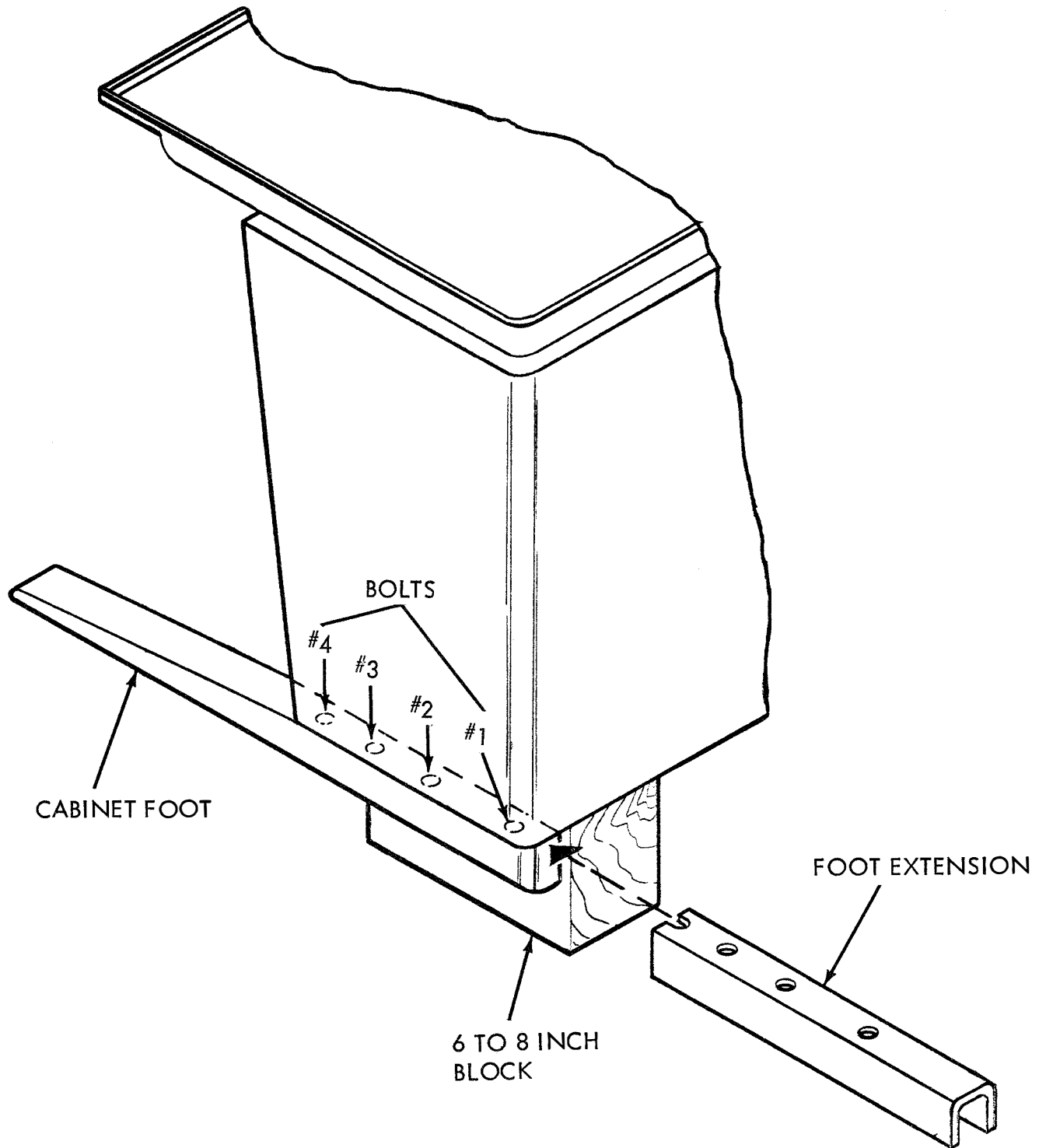
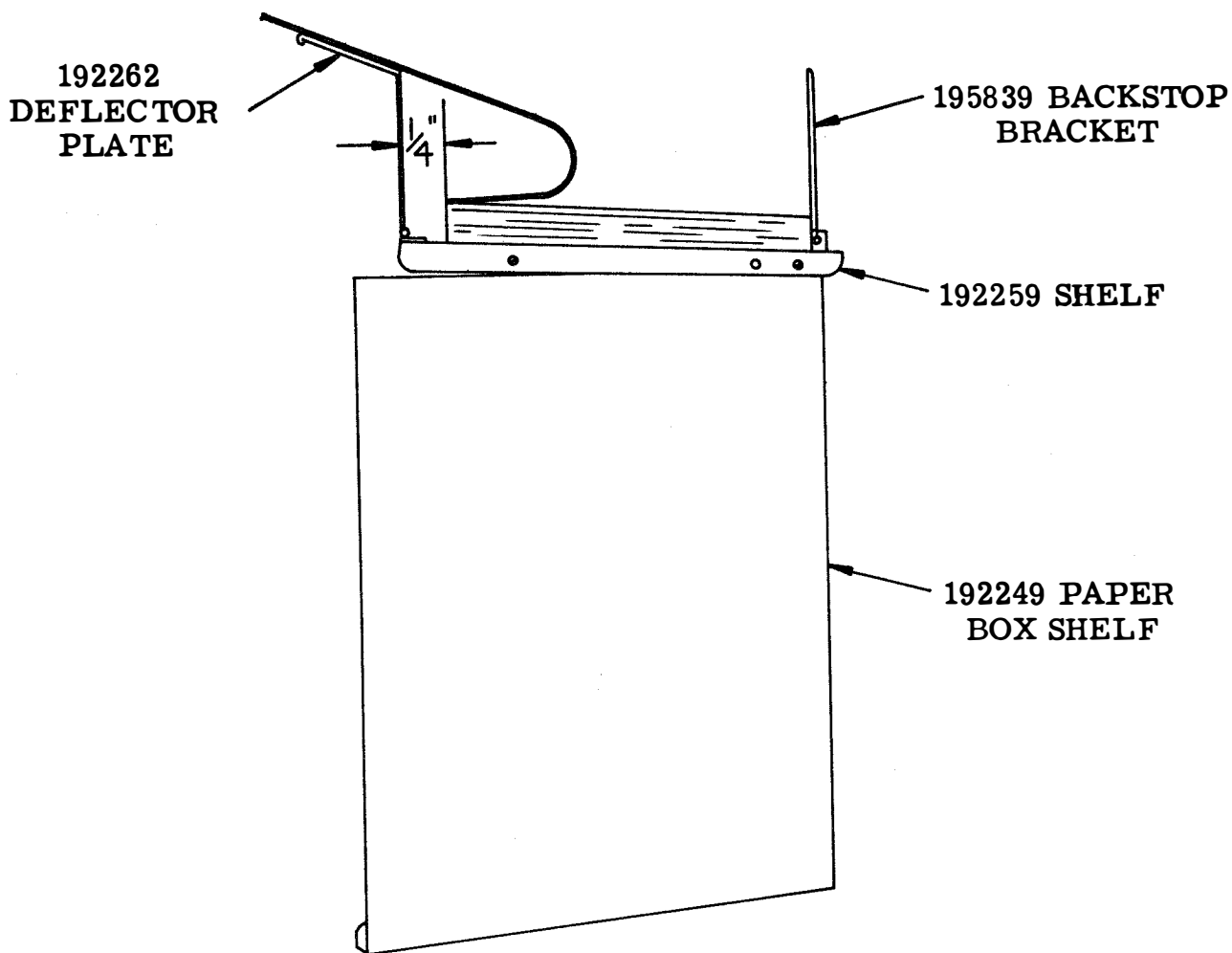


FIGURE 1

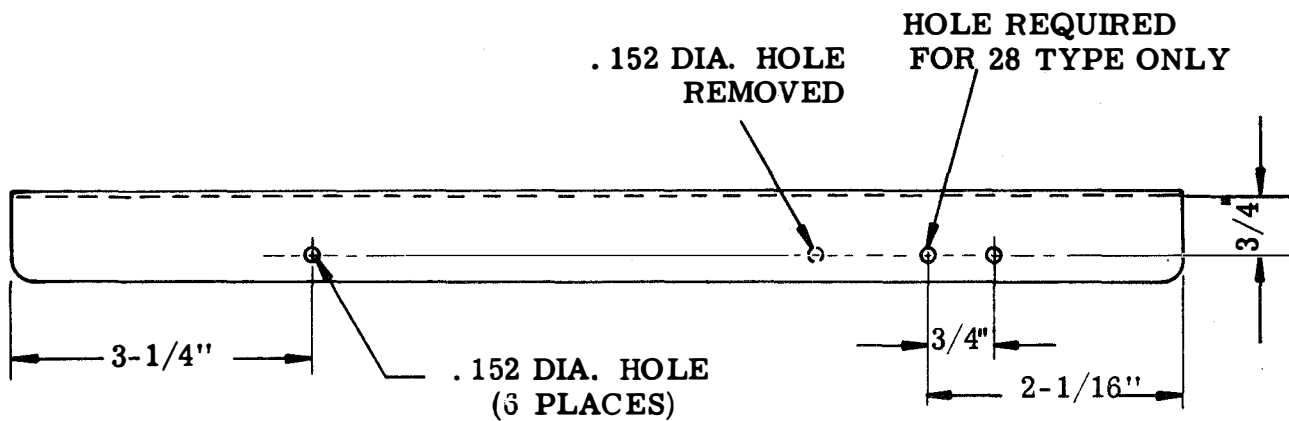


**INSTRUCTIONS FOR ADJUSTING THE 195839 BACKSTOP  
BRACKET FOR VARIOUS SIZE FORMS**

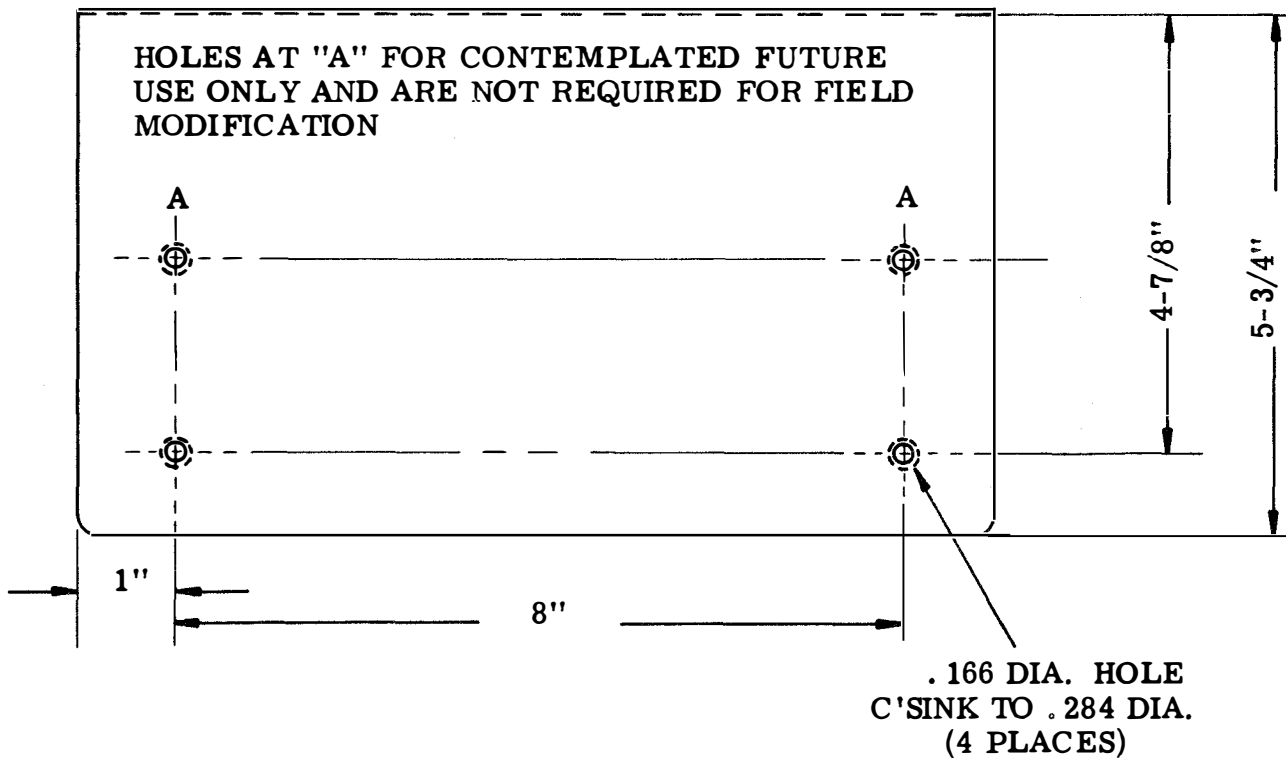
There should be at least  $\frac{1}{4}$  inch clearance (gauged by eye) between the accumulated forms and the base of the 192262 deflector plate. To adjust, position the 195839 backstop thru the elongated slots to meet this requirement (then tighten the two 151658 mounting screws). This requirement applies to all forms from 11 thru 6 inches in length. Forms under 6 inches in length will accumulate properly when the backstop is set at the mid slot position.

**FIGURE 3**

MODIFICATION INSTRUCTIONS FOR TP 192259\*\*  
 PAPER SHELF AND TP 192264\*\* MOUNTING PLATE



TP 192259\*\* PAPER SHELF (SIDE VIEW)



TP 192264\*\* MOUNTING PLATE (FRONT VIEW)

FIGURE 4

ADDENDUM TO SPECIFICATION 50119S  
COVERING THE 192260 KIT

1. Make the following changes in the specification.
  - a. On Page 2, after Paragraph 2. a. (4) add new (5)-(5). Relocate the 194902 stop bracket and 180798 self tapping mounting screw from the right-hand side to the left-hand side (as viewed from the rear) of the pedestal if necessary.
  - b. Refer to Figure 2 of this addendum for the correct position of mounting holes.

\*

\*

\*

RTTY ELECTRONICS  
TELETYPE=Sales-Service-Parts  
PO Box 20101 El Sobrante, Ca.  
94820. (510)222-3102  
mr\_rtty@pacbell.net

Printed in U.S.A.

