

INSTRUCTIONS FOR INSTALLING DC PULSING
CARD DIALER ON TELETYPE MODEL 33 OR 35
KEYBOARD SEND-RECEIVE SET (KSR) AND
AUTOMATIC SEND-RECEIVE SET (ASR) USING
MODIFICATION KIT 193486 OR 195924

1. GENERAL

1.01 The modification kit 193486, when installed on a Teletype Model 33 or 35 Keyboard Send-Receive Set (KSR) or Automatic Send-Receive Set (ASR), equips the set with a dc pulsing card dialer.

1.02 The dc card dialer provides automatic card dialing that supplements the dc rotary dial. Frequently called numbers may be coded on cards and be used by the operator to assist in placing calls. The card dialer operates on the same principle as the rotary dial (dc card dialer pulses at about the same rate as rapid manual dialing). Upon receipt of the dial tone, operation of the card dialer is initiated when a card is inserted and the START bar is operated. The mechanism starts dialing under power of its motor. The card is advanced from the slot through power from the spring motor previously wound during insertion of the card. When dialing is completed, the card is released by operating the RELEASE bar.

1.03 Modification kit 195924 is the same as modification kit 193486 except that the dc card dialer 182622 is not included in the 195924 kit.

1.04 The modification kits 193486 and 195924 consist of:

<u>Qty</u>	<u>Part No.</u>	<u>Description</u>	<u>Qty</u>	<u>Part No.</u>	<u>Description</u>
3	124177	Lockwasher	1	182622	Dialer, dc card
3	151657	Screw			(not in 195924 kit)
4	181241	Screw/lockwasher	1	182698	Cable assembly
1	181287	Holder, card	1	182724	Plate
1	181289	Window	1	199311	Insulator
1	181904	Faceplate	1	334167	Network, spark
2	182495	Card set, dialing			suppression
1	182494	Card set, index			

1.05 For parts referred to, other than those included in the kits, refer to Teletype Parts Bulletin 1184B (Model 33 KSR and ASR Sets) or 1187B (Model 35 KSR and ASR Sets).

SPECIFICATION 50164S

2. INSTALLATION

REMOVAL OF THE COVER

2.01 Remove the faceplate by removing the screw at each end of the faceplate. Lift the front and back of the faceplate simultaneously and place aside. Retain the screws. Model 35 Sets with the new style cabinets need only the back screw removed to take off the faceplate.

2.02 For Model 35 Sets only - Unlatch the latch under the dome to the right of the printer and carefully remove the cover. On sets not equipped with the hinged lower cover assembly, lift the cover assembly off the set.

2.03 For Model 33 Sets only

- (a) Remove the volume control knob by pulling it toward the front of the cabinet.
- (b) On friction feed sets, remove the platen knob by pulling it outward. On sprocket feed sets, remove the platen knob screw with washer, then remove the knob by pulling outward.
- (c) Remove the nameplate by prying the lower section forward, then downward.
- (d) Remove the cover from the set by removing the seven screws that hold it to the base. (Sets equipped with a reader require removal of the cover screw located at side of reader also.)

INSTALLATION OF DC CARD DIAL

2.04 For installation information, see Figures 1 and 2.

2.05 In the Model 33 Sets, remove and retain the five screws that hold the "Out-of-Service" switch and control light mounting bracket (together with right and left support arms) to the bracket 182723 and selector magnet drive bracket. Only four screws need to be removed in the Model 35 Sets.

2.06 Release screw 151734 holding the Out-of-Service switch to its mounting plate. Insert electrical insulator 199311 from the bottom between the mounting plate and the Out-of-Service switch insulator block and tighten screw. Insulator 199311 is now in position to prevent contact between the Out-of-Service switch and the dc card dialer terminals.

2.07 Remove and retain the rotary dial and the two mounting screws. Remove the blue wire from terminal 15 on terminal strip 182717 and attach it to terminal 8.

2.08 Mount the card dialer on plate 182724 using three screws 151657 and lockwashers 124177 (Figure 2).

- 2.09 Attach cable assembly 182698 and 334167 spark suppression network to the card dialer as shown on Figure 1. Route the cable along the right side of the call control unit to the transformer.
- 2.10 Make the connections for the card dial and rotary dial to the terminal strip as shown on Figure 1.
- 2.11 Install the dc card dialer assembly and reinstall the rotary dial using four screws with lockwashers 181241 for units equipped with the later design bracket 182723. For units equipped with the early design bracket 182723, reinstall the rotary dial using the two mounting screws retained in Paragraph 2. On units equipped with the later design bracket 182723, discard spacer 181283 from under the rotary dial mounting brackets and use the forward mounting holes in plate 182724 for securing the rotary dial mounting brackets. See Figure 2. Reinstall the Out-of-Service switch and control light mounting bracket using the screws retained in 2.05.
- 2.12 Install the new faceplate using the screws retained in 2.01. For the later Model 35 Cabinet, transfer the front locating bracket and its hardware from the removed faceplate to the new faceplate. Discard the removed faceplate.
- 2.13 For Model 33 Sets only - Reinstall the cover, nameplate, volume control knob, and platen knob removed in 2.03.
- 2.14 Insert the card holder 181287 and window 181289 into the slots provided in the faceplate.

3. CODING OF DIALING CARDS

- 3.01 To code a card, one needs (or use) a pointed instrument such as a pencil. Write the telephone number in the small boxes on the extreme right side of the card, as shown on Figure 3. Include any sequence (such as an area code) needed to obtain an outside line if these calls are originated through a PBX switchboard. It should be noted that the card dialer senses a code in the card and simultaneously transmits the digits, and then advances the card to the next row.
- 3.02 Identify the station whose number is to be coded into the card in the space provided at the top of the card.
- 3.03 Code the first digit of the telephone number in the first horizontal row by punching a hole under the groups of numbers at the top of the card which contain this number. For example, if the first number is 2, as shown on Figure 3, punch a hole under the groups that contain the number 2 (holes shown in solid black). Also, punch a hole under STOP in the first row.
- 3.04 Code the second row, the third row, etc, in the same manner except that a hole under STOP is not punched, except as instructed below.

SPECIFICATION 50164S

3.05 When dialing must be stopped after a sequence of numbers has been dialed, punch a hole under STOP in the row after the last number in the sequence. For example, on Figure 3, the card must stop after the first three digits (area code 258) have been dialed so the operator can hear a dial tone. Therefore, a hole under STOP is punched in the fourth row. To continue dialing depress the START bar.

3.06 It is not necessary to punch a STOP hole following the telephone number provided there are no other punched holes. However, a STOP hole may be punched, but this requires the operator to depress the RELEASE bar to release the card from the card dialer.

*

*

*

DC PULSING CARD DIALER CONNECTIONS

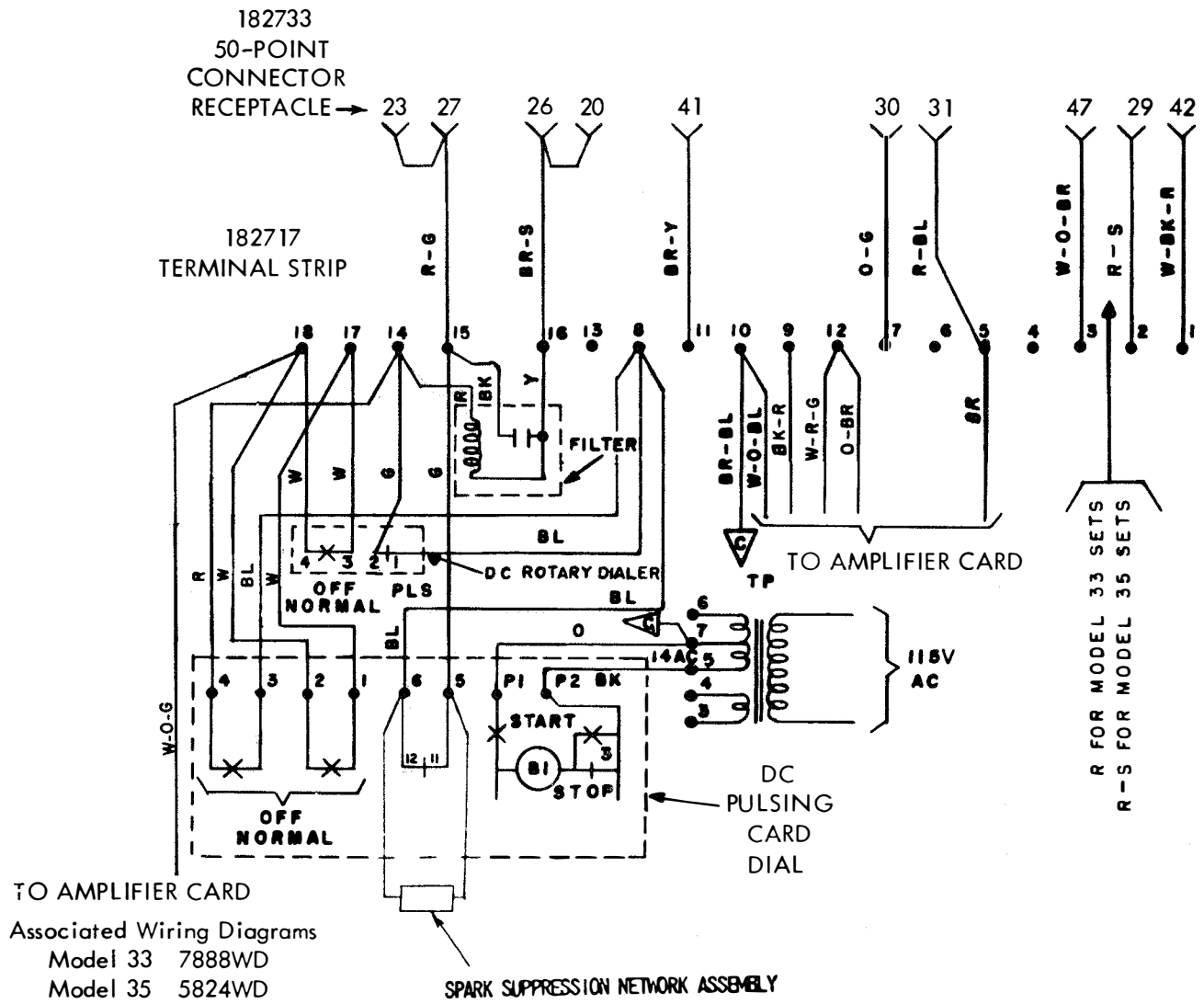


FIGURE 1

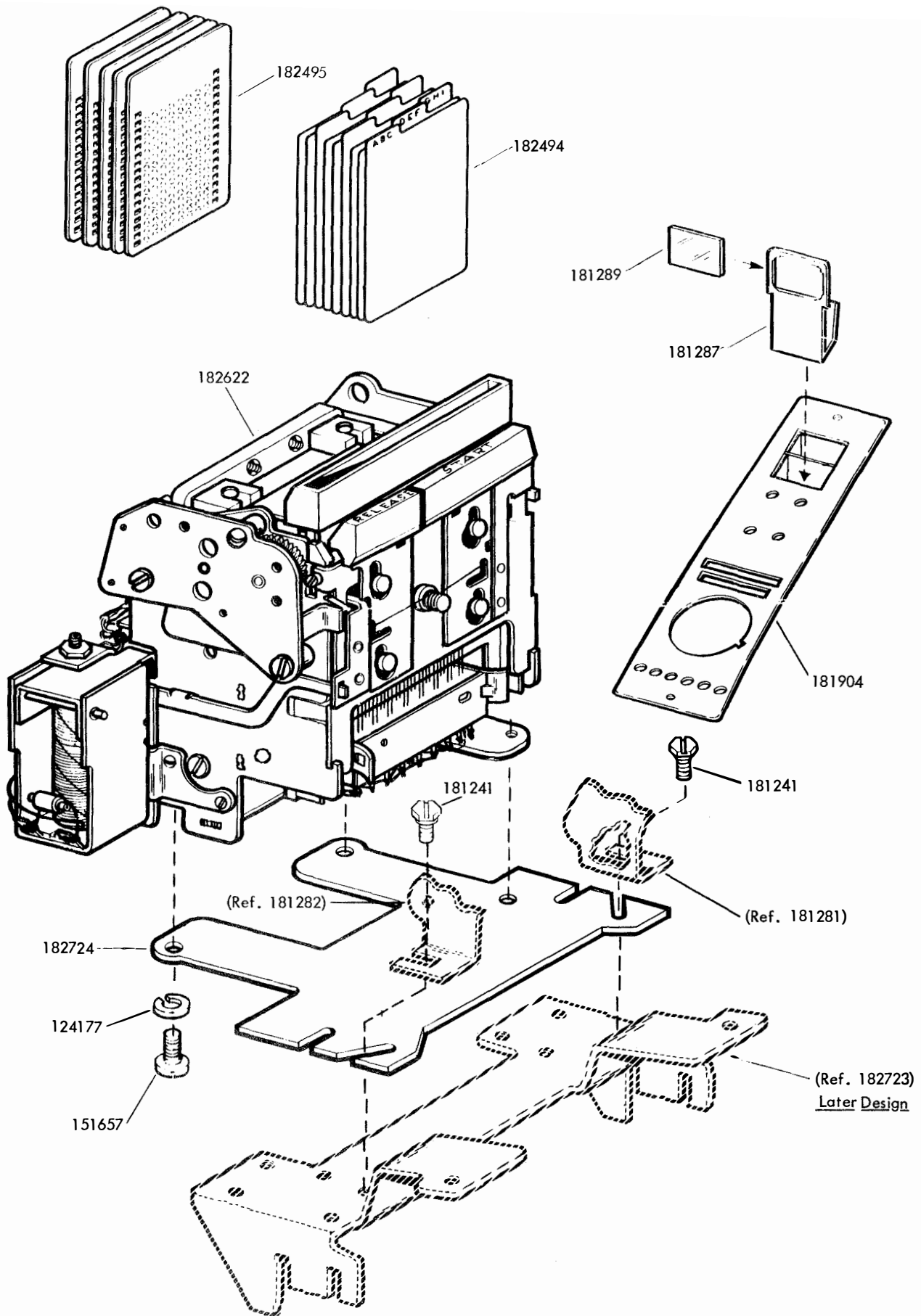


FIGURE 2

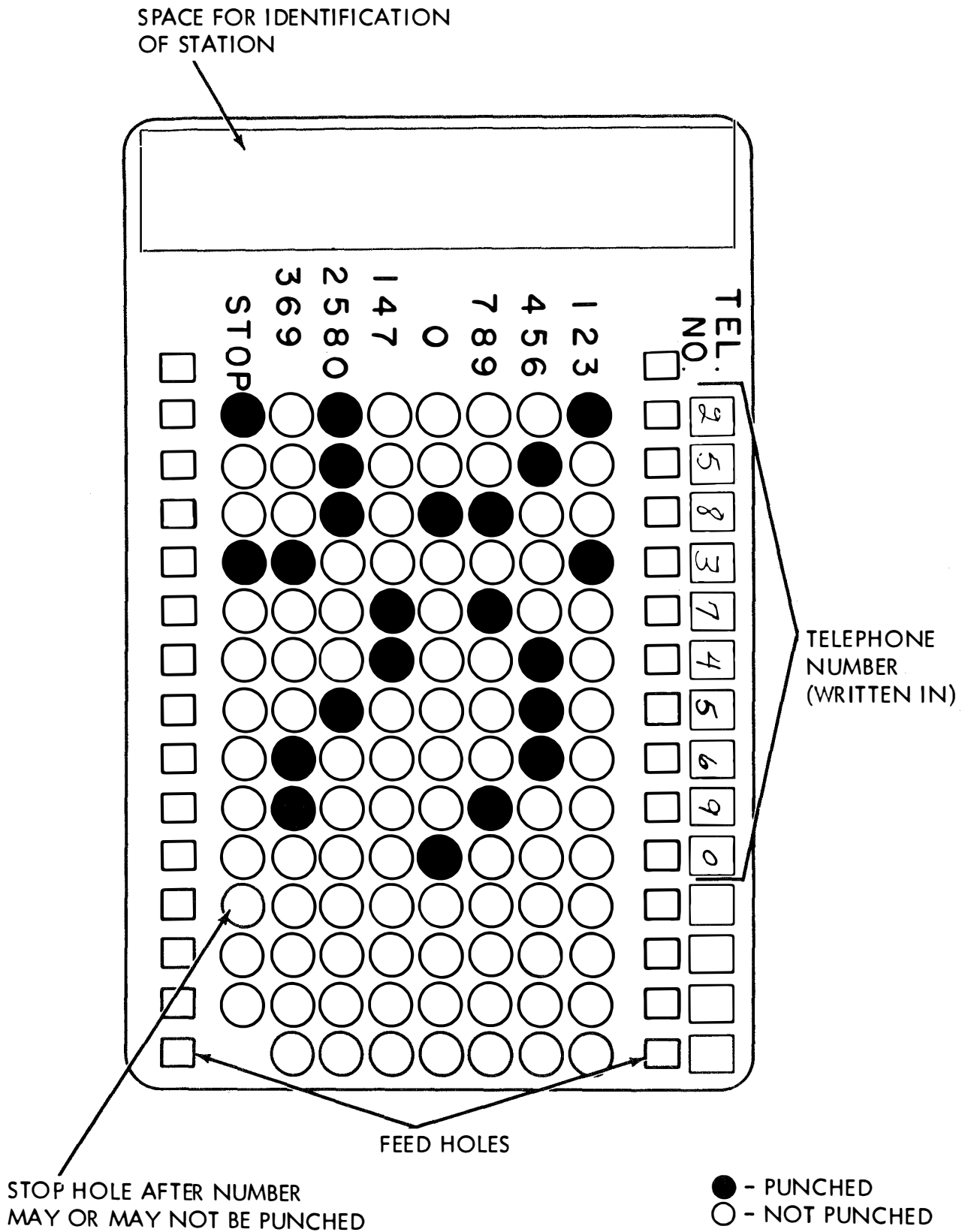


FIGURE 3