

INSTRUCTIONS FOR INSTALLING THE TUW3 TAPE CENTER
(12 INCH) UNWINDER

146815 OLD

1. GENERAL

a. The TUW3 Tape Center (12 inch) Unwinder is a table mounted unit which allows center unwinding of a roll of perforated message tape for retransmission (at speeds up to 100 WPM).

b. The TUW3 Tape Center Unwinder allows center unwinding of a tape roll 11/16" to 1" in width, with a maximum outside diameter of 12" and a minimum inside diameter of 3".

c. The unwinder can be placed in various positions depending upon the installation and the application of the unwinder.

d. The TUW3 Unwinder (shipped assembled) consists of:

1	2669	Washer, Lock	1	103039	Nut, Pivot
3	3438	Washer, Flat	1	119656	Ring, Retainer
3	6796	Screw	1	130609	Washer, Lock
1	7415	Nut	1	146816	Base, 12" Center Unwind Reel
1	73894	Screw	1	146817**	Spindle, Assembly 12" Tape
1	74547	Collar	1	146818	Hub, Tape Spindle
1	74807	Nut	1	146819	Holder, Tape Guide
3	99381	Foot, Rubber	1	146820	Guide, Tape
1	103038	Post, Pivot	3	151630	Screw
			1	34432	Washer

e. For parts ordering information see Teletype Parts Bulletin 1075B.

2. INSTALLATION

a. The location of the TUW3 Tape Center Unwinder depends on the type of installation.

b. Secure the tape guide holder to the base plate as shown in Figure 1.

c. Secure the tape guide to the tape guide holder as shown in Figure 1.

d. The top of the tape guide should be approximately six inches from the table top as shown on Figure 1.

e. The reel must be free turning without rubbing the base plate. The minimum clearance between the base plate and the underside of the reel shall be 3/16".

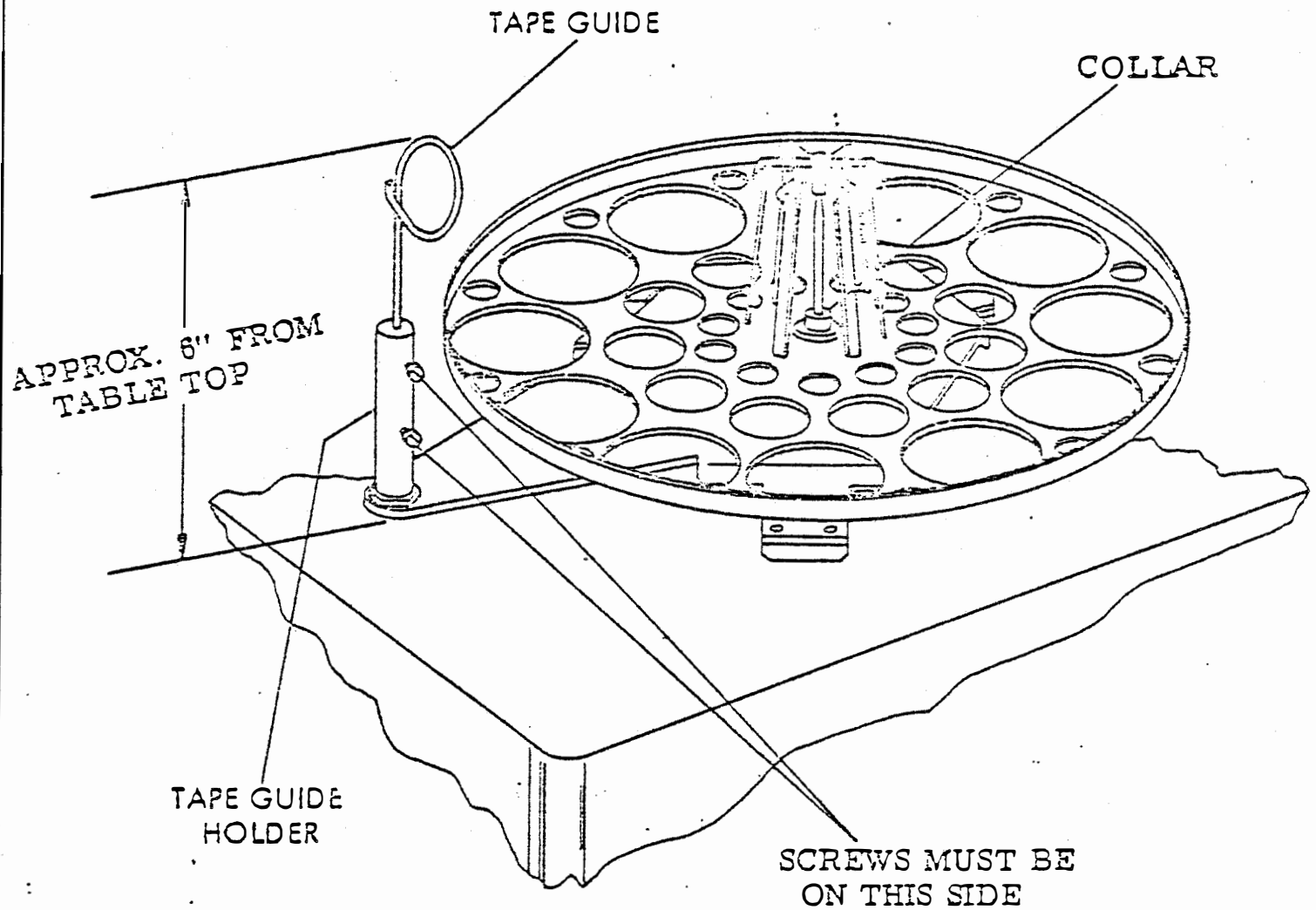
f. Position the 74547 Collar so that there is a maximum of 0.015 inch end play of the reel by means of the 73894 Set Screw.

g. Apply one drop of oil to the needle bearing.

*

*

*



TUW3 TAPE CENTER (12 INCH) UNWINDER

FIGURE 1