

INSTRUCTIONS FOR INSTALLING THE 199918 MODIFICATION KIT
TO PROVIDE TWO MOUNTING SHELVES FOR SINGLE REEL TAPE
WINDERS ON THE MODEL 35 ASR SET AND THE 199924 MODIFICATION
KIT TO PROVIDE ONE MOUNTING SHELF FOR SINGLE REEL TAPE
WINDER ON MODEL 35 ASR SET

1. GENERAL

a. The 199918 modification kit provides a mounting shelf and hardware for mounting two TW200, TW203 or TW204 motor driven single reel tape winders on the left side of a Model 35 ASR Set allowing winding of tape from the punch and transmitter.

b. The 199924 modification kit allows winding of tape from the punch or transmitter by providing a mounting shelf and hardware for one TW200, TW203 or TW204 single reel tape winder on the left side of a Model 35 ASR Set.

c. The 199918 kit consists of:

4	2191	Lockwasher	1	199921	Strip, Wear
4	3606	Nut	2	199929	Guide, Tape
4	7002	Washer, Flat	1	199944	Shelf Assembly
4	194575	Locating Posts			

d. The 199924 kit consists of:

2	2191	Lockwasher	2	194575	Locating Posts
2	3606	Nut	1	199929	Guide, Tape
2	7002	Washer, Flat	1	199957	Shelf Assembly

e. For part numbers and parts ordering information refer to Teletype Parts Bulletin 1075B and 1187B.

2. INSTALLATION (Figures 1 and 2)

a. Install the 199918 kit as follows

(1) Lift the cover of the ASR Set and slide the shelf down on the left edge of the bottom pan. The shelf should be located approximately 10" from the front of the ASR bottom pan. See Figure 1.

(2) Slide the 199921 wear strip onto the edge of the cover as shown in Figure 1.

(3) Mount the 194575 posts to the shelf as shown in Figure 1.

(4) Mount the 199929 tape guide under the roller on the tape winder. See Figure 2.

b. Install the 199924 kit as follows:

(1) Lift the cover of the ASR Set and slide the shelf down on the left edge of the bottom pan. The shelf should be located approximately 10" from the front of the ASR bottom pan. See Figure 1.

(2) Mount the 194575 posts as shown in Figure 1.

(3) Mount the 199929 tape guide under the roller on the tape winder. See Figure 2.

NOTE

The tape winders should be positioned over the 194575 posts to prevent sliding or falling.

*

*

*

50353S

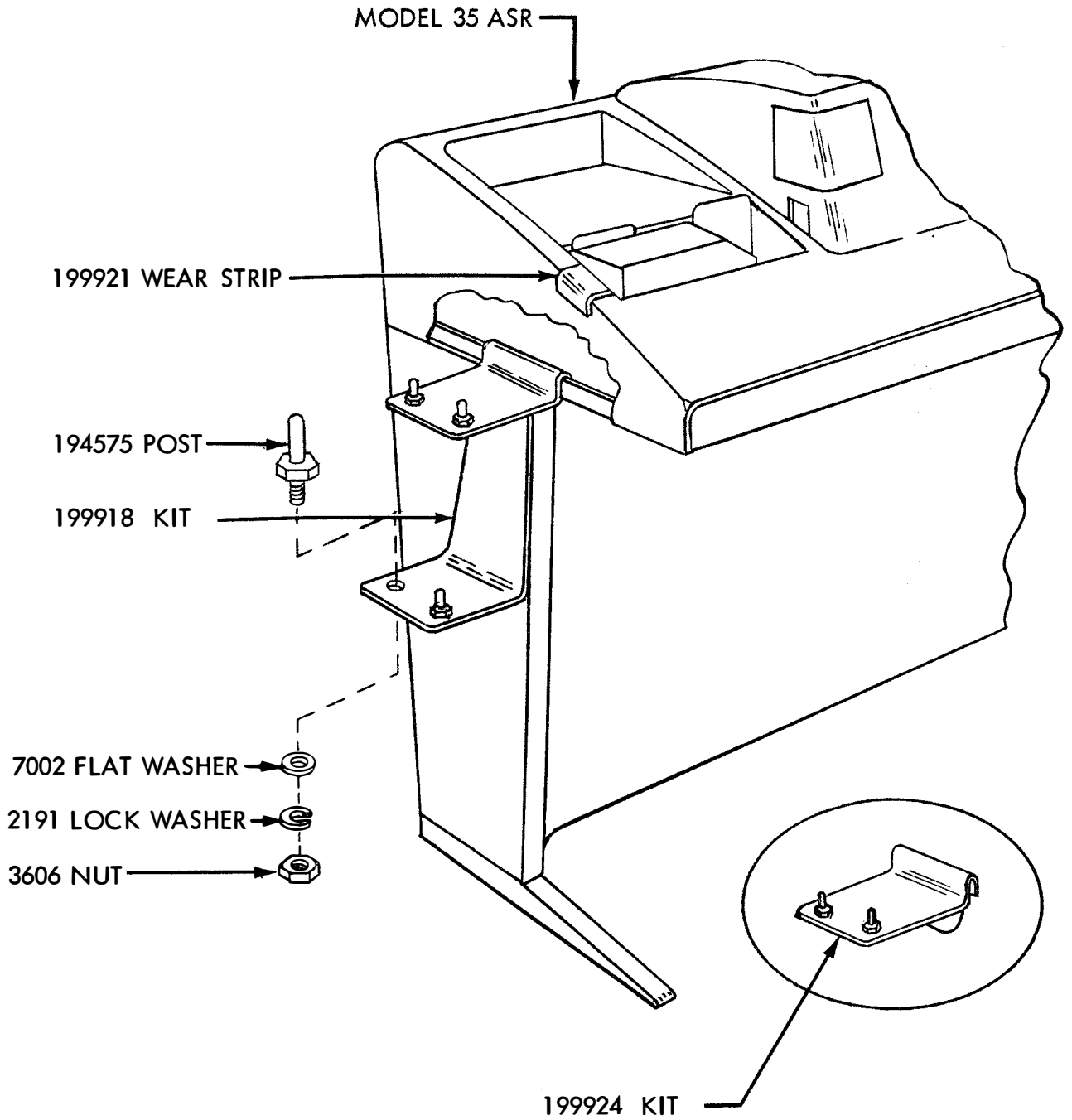
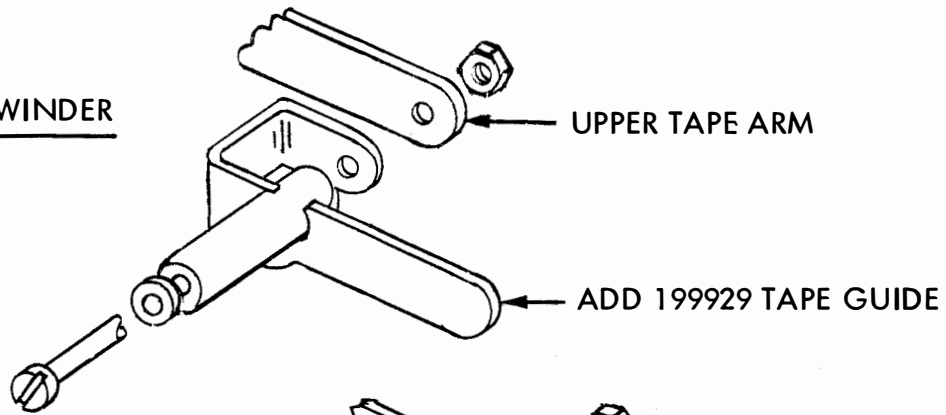


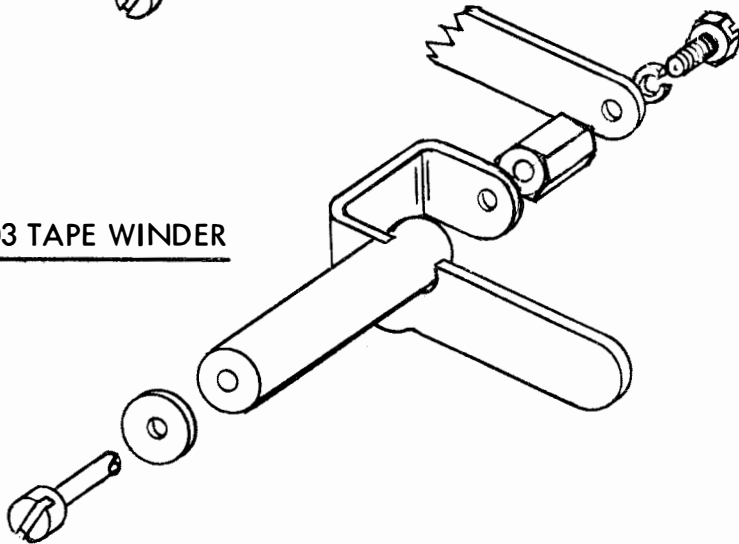
FIGURE 1

ASSEMBLY PROCEDURE FOR MOUNTING THE 199929
TAPE GUIDE ON VARIOUS TAPE WINDERS

TW200 TAPE WINDER



TW203 TAPE WINDER



TW204 TAPE WINDER

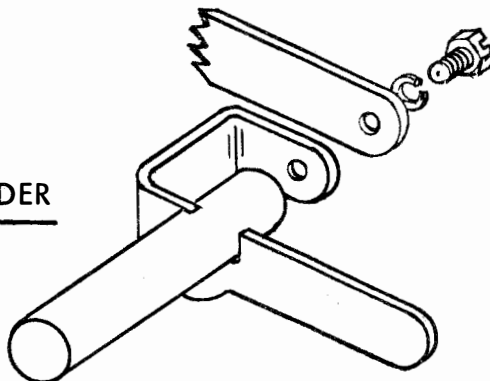


FIGURE 2