

INSTRUCTIONS FOR INSTALLING THE 321582**
MODIFICATION KIT TO PROVIDE A MOUNTING
SHELF FOR THE SINGLE REEL TAPE WINDER ON
THE UPPER LEFT SIDE OF A MODEL 28 ASR SET

1. GENERAL

1.01 The 321582** modification kit provides a mounting shelf and hardware for mounting a TW200, TW203, or TW204 Type Motor Driven Single Reel Tape Winder or the 146821 Type Spring Driven Tape Winder on the left side of a Model 28 Automatic Send-Receive Set. The shelf allows winding of tape from the keyboard punch or transmitter.

1.02 The 321582** modification kit, when used with the 195107 modification kit to provide mounting shelf for single reel tape winder on lower left side of ASR Set, allows for winding of tape simultaneously from both the keyboard punch and transmitter.

1.03 The 194861 modification kit to provide tape guide for the ASR Set may be ordered separately. The tape guide provides maximum access to the transmitter distributor while winding tape from the keyboard punch.

1.04 The 321582** kit consists of:

<u>Part No.</u>	<u>Description</u>	<u>Qty.</u>	<u>Part No.</u>	<u>Description</u>	<u>Qty.</u>
2191	Lockwasher	2	108355	Nut	2
2449	Lockwasher	2	152848	Screw	2
2846	Washer, flat	2	194575	Post	2
3606	Nut	2	199929	Guide, tape	1
7002	Washer, flat	2	333198**	Shelf	1

2. INSTALLATION

2.01 The 321582 modification kit contains a 333198 mounting shelf which is mounted to the Model 28 ASR Set as shown in Figure 1A. Locating post must be secured to the mounting shelf over which is placed the tape winder.

2.02 A 199929 tape guide is provided for mounting on the tape winder as shown in Figure 1B and Figure 2. Position the guide and tighten the screw so tape runs freely over the guide and into the winder.

2.03 The 321582 modification kit may also be used with the 195107 modification kit to provide mounting shelf for single reel tape winder on lower left side of ASR Set. The arrangement then allows for winding tape simultaneously from both the keyboard punch and transmitter.

SPECIFICATION 50664S

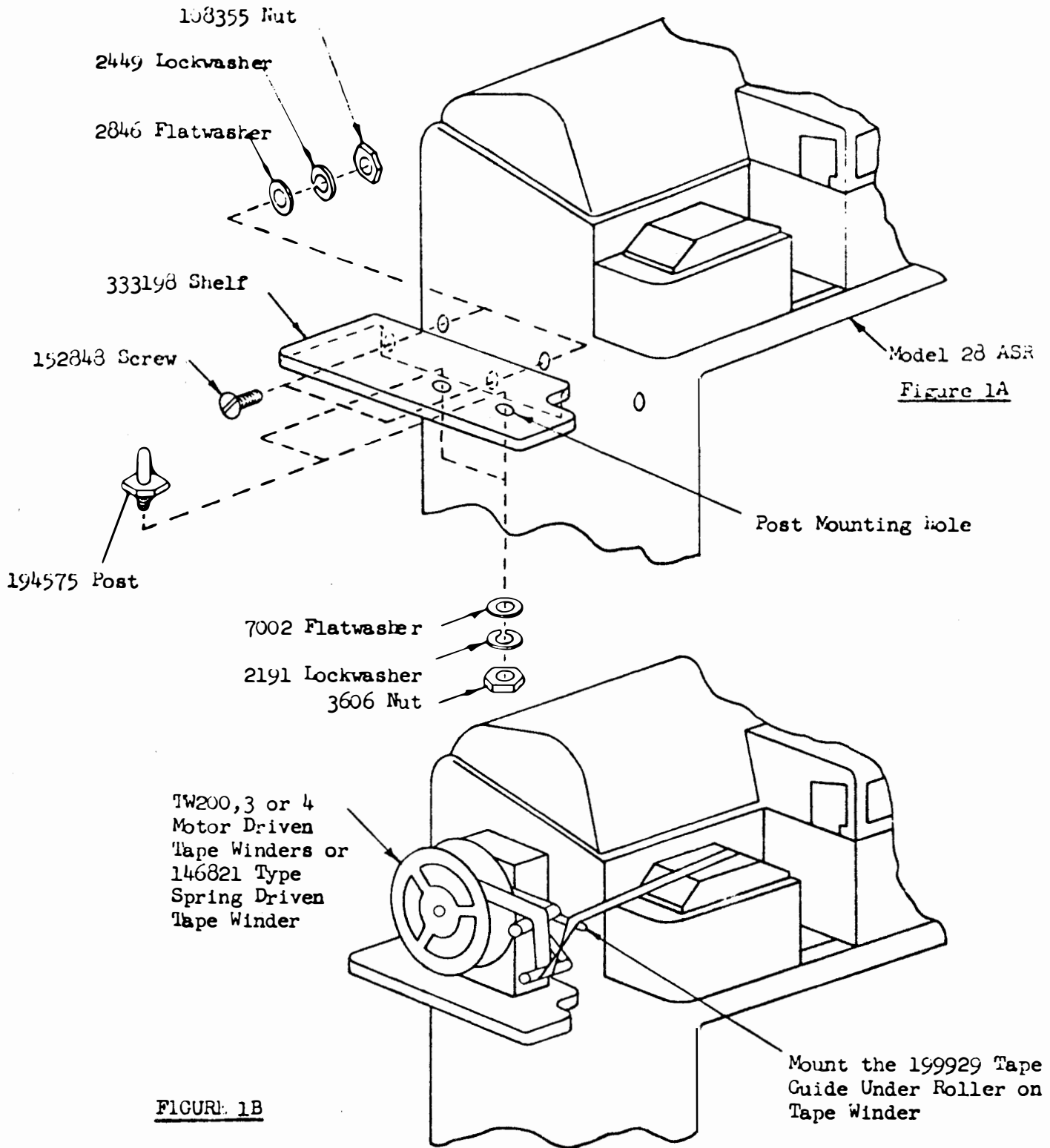


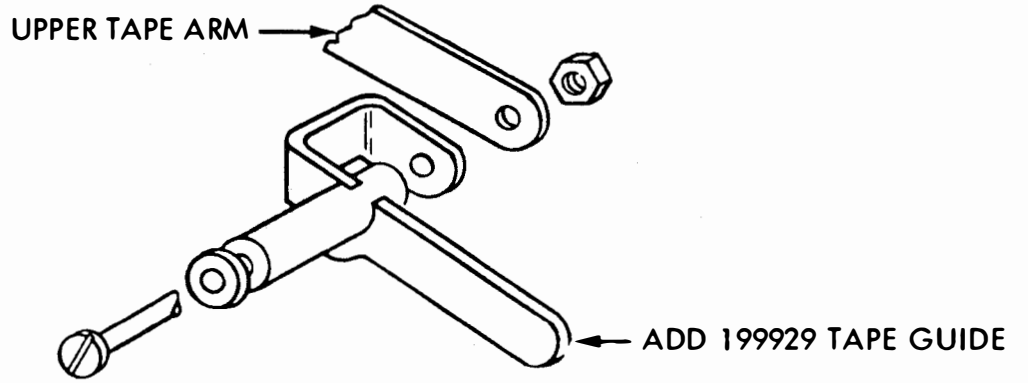
FIGURE 1B

321582 Modification Kit: To Provide Mounting Shelf for Single Reel Tape Winder on Upper Left Side of Model 28 ASR

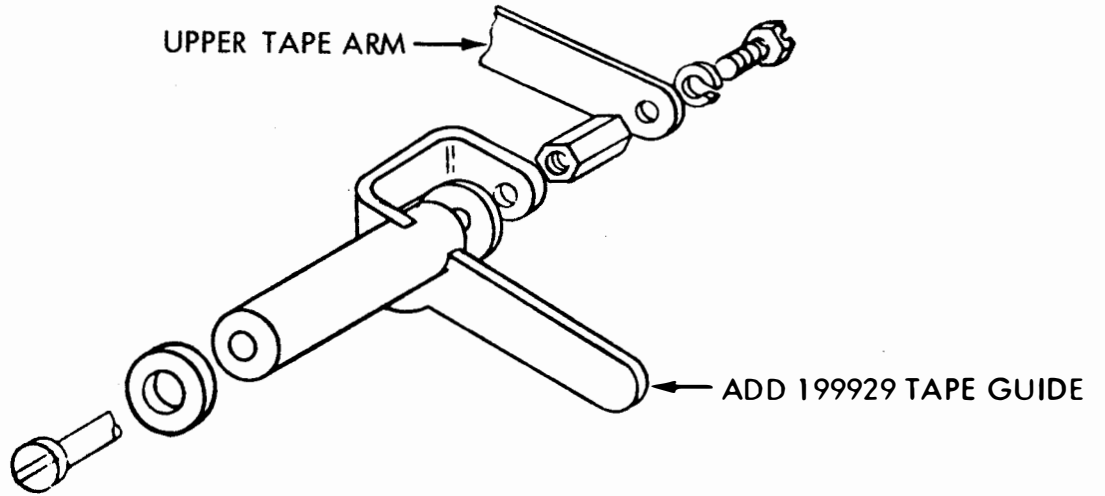
FIGURE 1

ASSEMBLY PROCEDURE FOR MOUNTING THE 199929
TAPE GUIDE ON TW200, TW203 AND TW204 TAPE WINDERS

TW200 TAPE WINDER



TW203



TW204

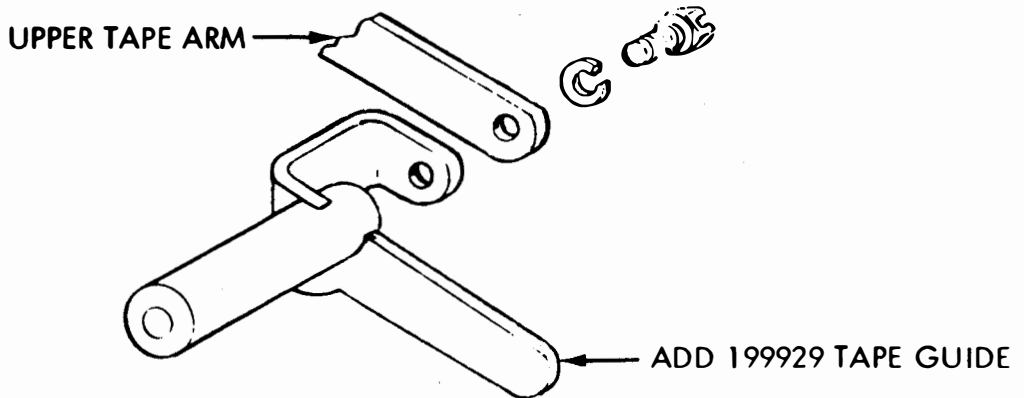


FIGURE 2