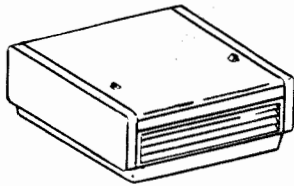


INSTRUCTIONS FOR INSTALLING 408050 VENTILATION ASSEMBLY  
AND 408051 MODIFICATION KIT INTO A MODEL 40 CABINET  
(40CAB201/AB and 40CAB251/AB)

1. GENERAL

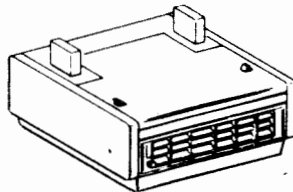
1.01 The 408050 ventilation assembly and 408051 modification kit were designed to provide cooling for Model 40 cabinets which utilize 100 and 200 series controllers.

1.02 The 408050 ventilation is used on:



40CAB201/AB  
LOGIC ADJACENT

1.03 The 408051 modification kit is used on:



40CAB251/AB  
LOGIC UNDER MONITOR

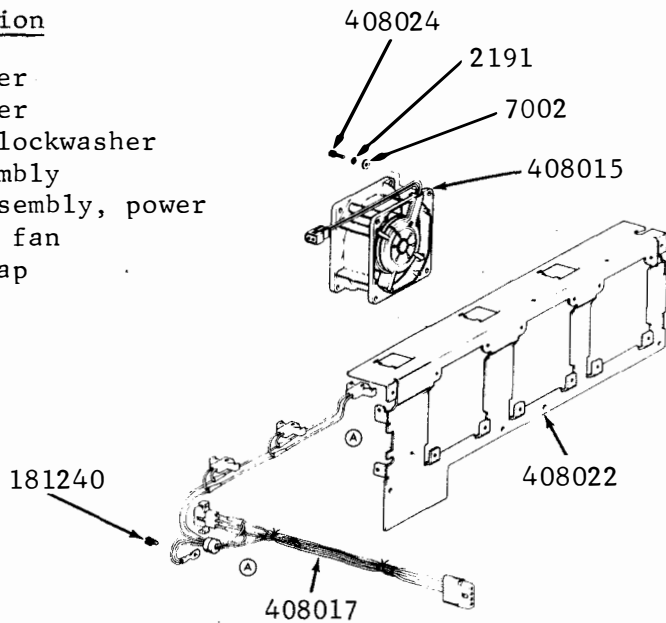
2. DESCRIPTION

2.01 The 408050 ventilation assembly consists of three fans and a power cable mounted to a bracket, when added to a cabinet, make up the back of the electronics logic package in cabinet.

SPECIFICATION 50820S

2.02 The 408050 ventilation assembly consists of parts listed below. (All parts are assembled.)

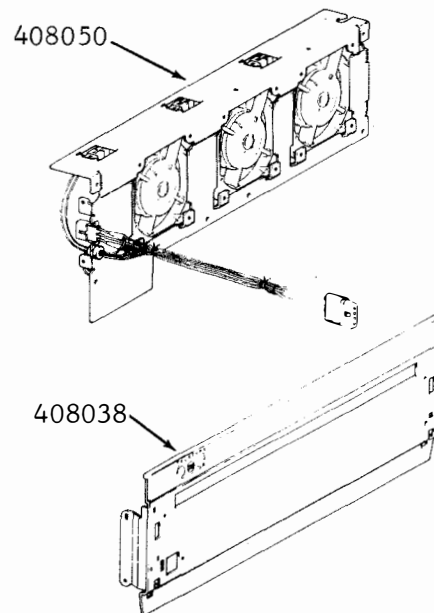
Qty	Part No.	Description
12	2191	Lockwasher
12	7002	Lockwasher
1	181240	Screw w/lockwasher
3	408015	Fan assembly
1	408017	Cable assembly, power
1	408022	Bracket, fan
12	408024	Screw, cap



2.03 The 408051 modification kit contains the 408050 ventilation assembly plus a front plate.

2.04 The 408051 modification kit consists of:

Qty	Part No.	Description
1	408038	Front plate w/trim
1	408050	Ventilation assembly
*1	2191	Lockwasher
*1	3598	6-40 Hex nut
*1	125015	Flat washer
*3	198670	Screw w/lockwasher, 6-40 X 5/16 hex
*4	184056	Screw w/lockwasher, 6-40 X 1/4 hex
*2	341819	Screw, shoulder
2	181204	Flat washer



Note: Asterisk (\*) items are spares included for convenience purposes only.

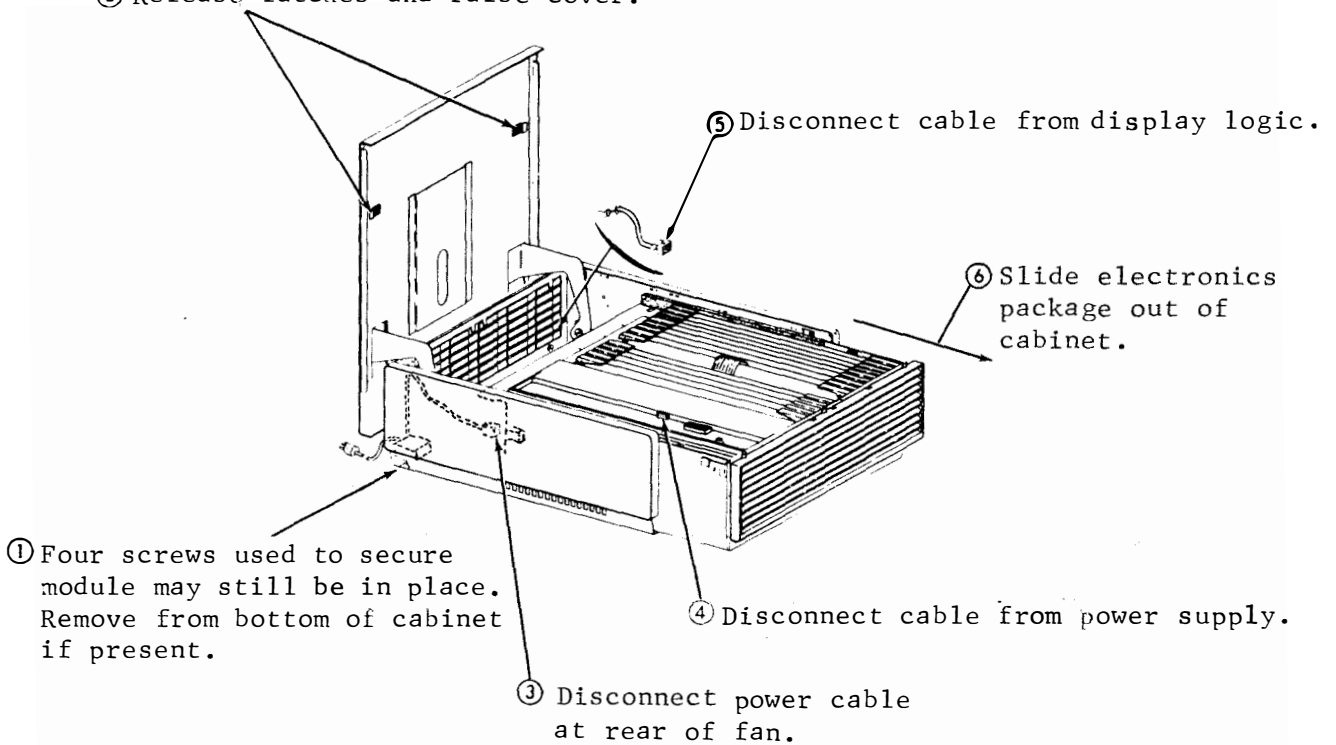
3. INSTALLATION

**CAUTION:** REMOVE ALL POWER FROM THE SET BEFORE PERFORMING ANY DISASSEMBLY AND INSTALLATION.

**Note:** Check 408050 ventilation assembly per Paragraph 5. TESTING.

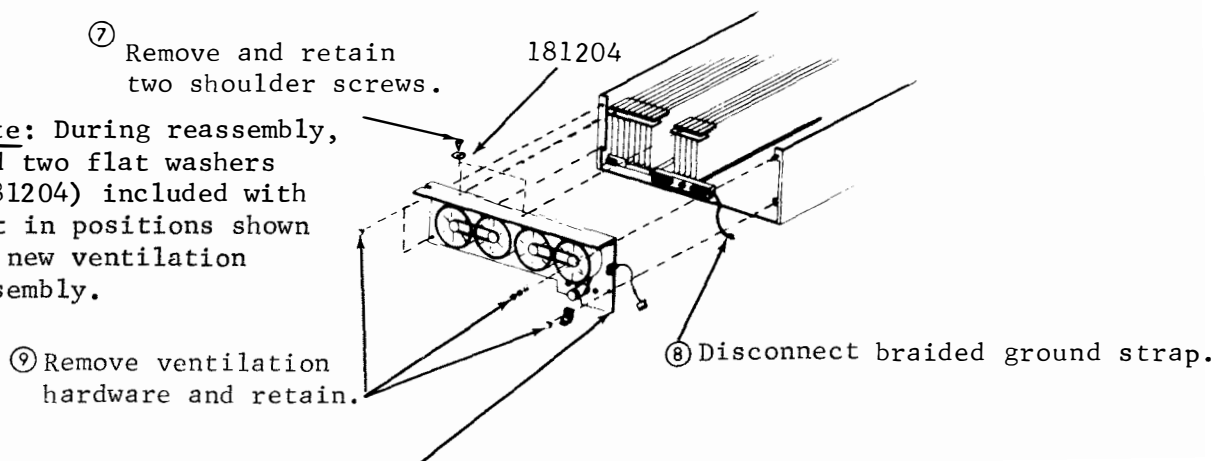
3.01 Installation of 408050 assembly into a 40CAB201/AB cabinet requires the following steps:

② Release latches and raise cover.



⑦ Remove and retain two shoulder screws.

**Note:** During reassembly, add two flat washers (181204) included with kit in positions shown on new ventilation assembly.



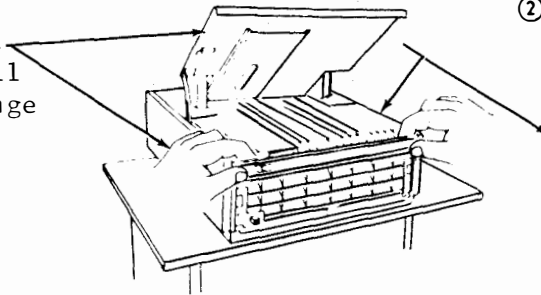
SPECIFICATION 50820S

3.02 Installation of 408051 modification kit into a 40CAB251/AB cabinet requires the following steps:

Note 1: Removal of monitor and opcon is required for this installation.

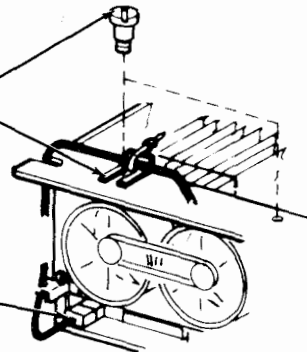
Note 2: Check 408050 ventilation assembly per Paragraph 5. TESTING.

① Open lid, insert fingers as shown. Lift and then pull electronics package forward.



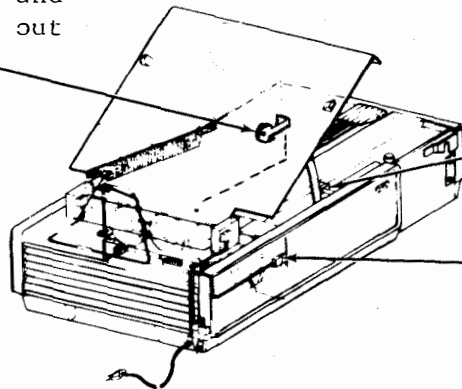
② Slide package forward until blocked by latch on right side.

③ Loosen shoulder screw. Slip clip with cable out from under screw.



④ Disconnect monitor cable.

⑦ Release latch and slide package out of cabinet.

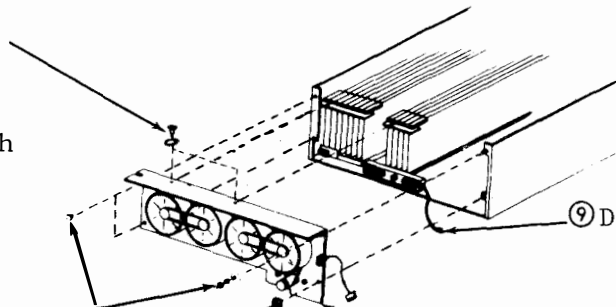


⑤ Disconnect connector from power supply.

⑥ Disconnect power cable from ventilation assembly.

⑧ Remove and retain two shoulder screws.

(During reassembly, add two 181204 flat washers included with the kit in positions shown on new ventilation assembly.)

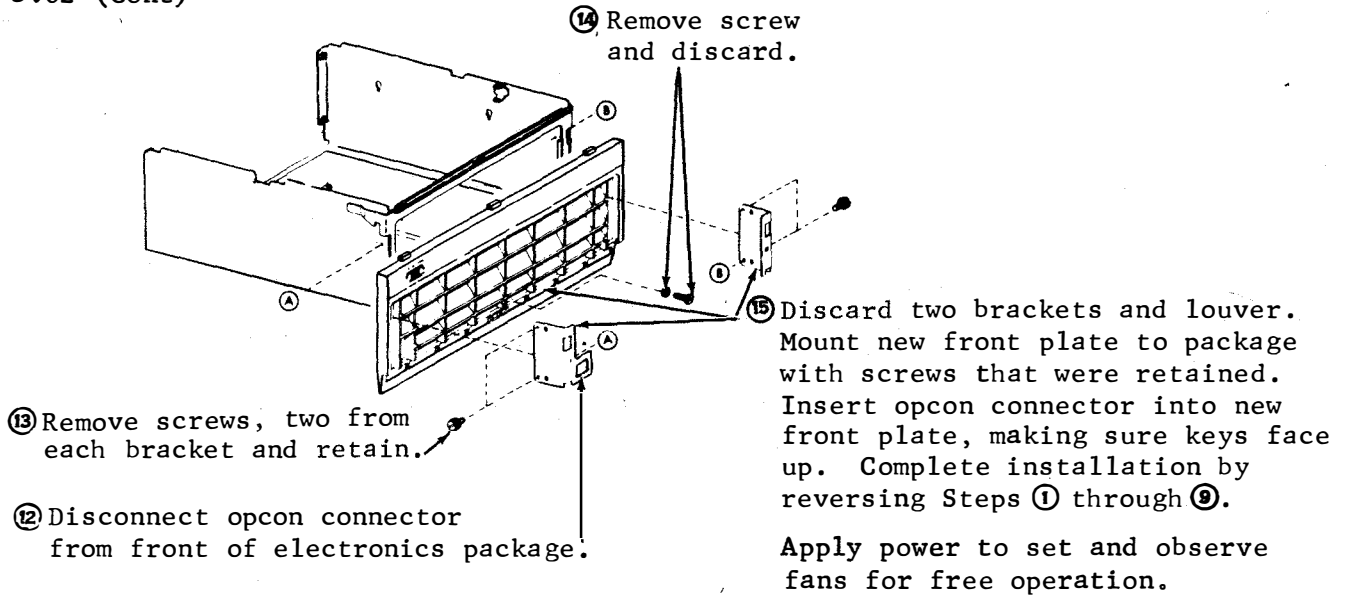


⑨ Disconnect ground strap.

⑩ Remove hardware and retain.

⑪ Remove 401040 ventilation assembly and discard. Install 408050 ventilation assembly with hardware retained from Step 10, or hardware supplied.

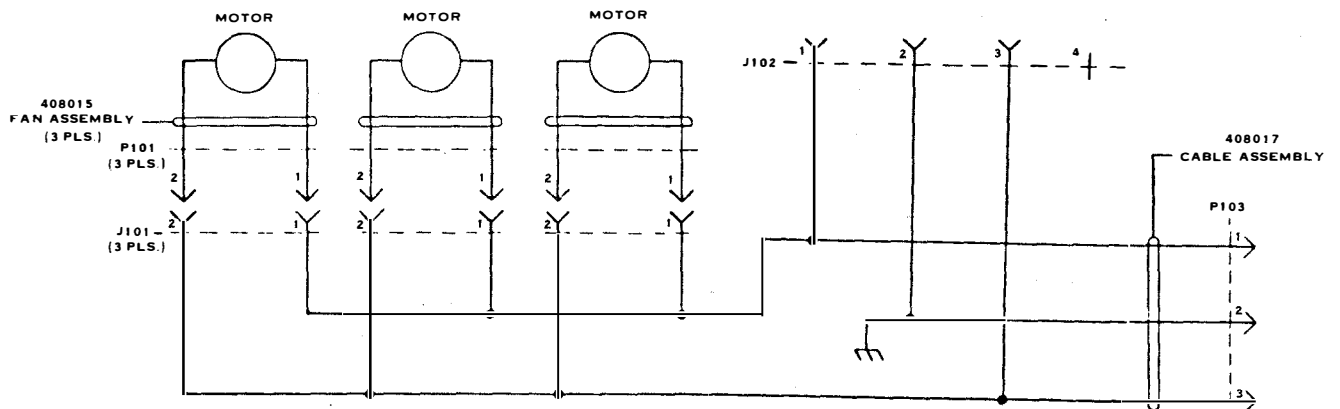
3.02 (Cont)



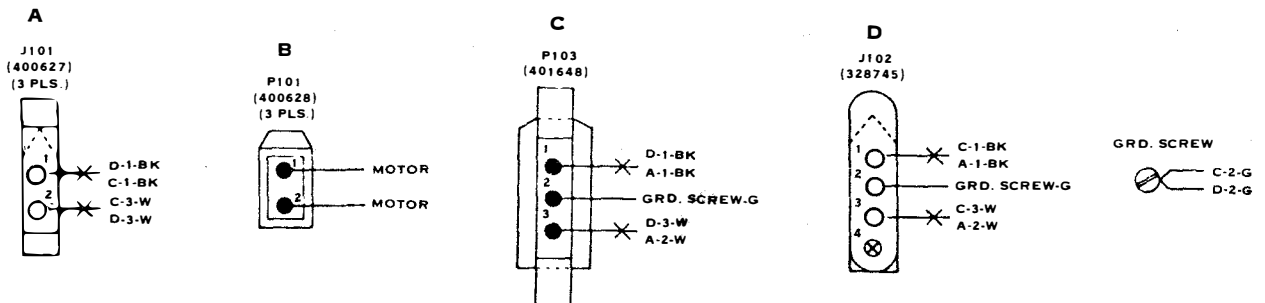
4. WIRING

NO	NOTES
1	COLOR CODE. BK-BLACK G-GREEN W-WHITE
2	CONNECTORS VIEWED FROM WIRED SIDE
3	<ul style="list-style-type: none"> <li>➤ INDICATES FEMALE TERMINAL</li> <li>➤ INDICATES SMALL TERMINAL</li> <li>✳ INDICATES SPLICE</li> </ul>

SCHEMATIC DIAGRAM



ACTUAL DIAGRAM



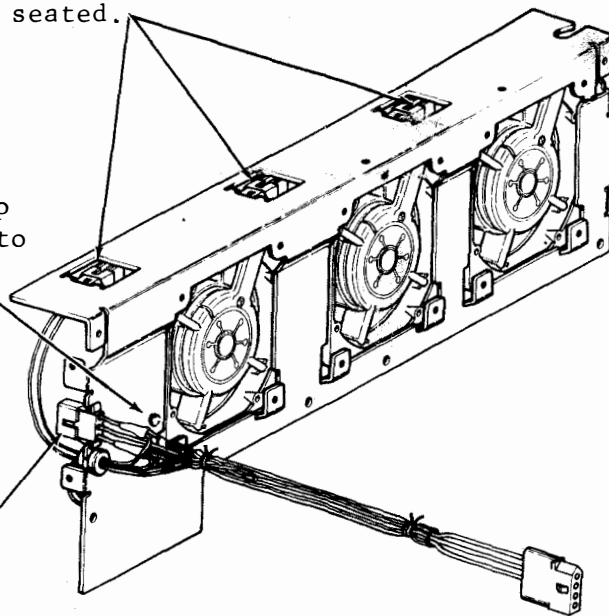
5. TESTING

① Check each fan connector and make sure they are properly seated.

② Make sure ground strap is securely fastened to the bracket (rear).

AIR FLOW  
DIRECTION

③ Connect to a 115 V ac outlet and verify that each fan is running.



6. MAINTENANCE

6.01 Field servicing is accomplished by replacing individual 408015 fan assemblies. A 7/64 inch Allen wrench is required to replace individual fans.

6.02 No adjustments or lubrication is required.