

TELETYPE CORPORATION
Skokie, Illinois, U.S.A.

RTTY ELECTRONICS
TELETYPE=Sales-Service-Parts
PO Box 20101 El Sobrante, Ca.
94820. (510)222-3102
mr_rtty@pacbell.net

SPECIFICATION 50830S
Issue 4, July 1979

INSTRUCTIONS FOR INSTALLING 405562, 405563 OR
406047 MODIFICATION KIT TO THE 40CAB251/ZZ
COMMON CABINET CORE TO FORM THE VARIOUS
ARRANGEMENTS LISTED BELOW

CABINET CODE	ZZ CODE	MOD KIT	DESCRIPTION	TYPE
40CAB251/AB = 40CAB251/AC =	40CAB251/ZZ 40CAB251/ZZ	405563 405562	Logic U/Monitor Monitor/Opcon Support (Used With 40C-400 Controller)	
40CAB251/AE =	40CAB251/ZZ	406047	Logic U/Monitor (Used with 40C304 Controller)	KD(EIA)

1. GENERAL

- 1.01 This specification provides necessary information for installing any of the above listed modification kits into a 40CAB251/ZZ Cabinet to complete the desired cabinet code.
- 1.02 All instructions on unit packing cartons and labels shown inside the cabinets should be adhered to.
- 1.03 Complete description and parts identification for cabinet 40CAB251/ZZ can be found in section 582-212-700 or Manual 352 as an aid for location and identification.

2. MODIFICATION KIT LISTINGS

2.01 Following are the modification kits part listings:

- 405562 modification kit (see Paragraph 3.01 for installation instructions)

<u>Qty</u>	<u>Part No.</u>	<u>Description</u>	<u>Qty</u>	<u>Part No.</u>	<u>Description</u>
1	3598	Nut	1	401227	Tab, terminal
6	92260	Lockwasher	1	405038	Connector, plug
4	180714	Screw	1	405565	Plate, front
1	181249	Screw w/lockwasner	1	407066	Clamp, cable

SPECIFICATION 50830S

2.01 (Cont)

- 405563 modification kit (see Paragraph 3.02 for installation instructions)

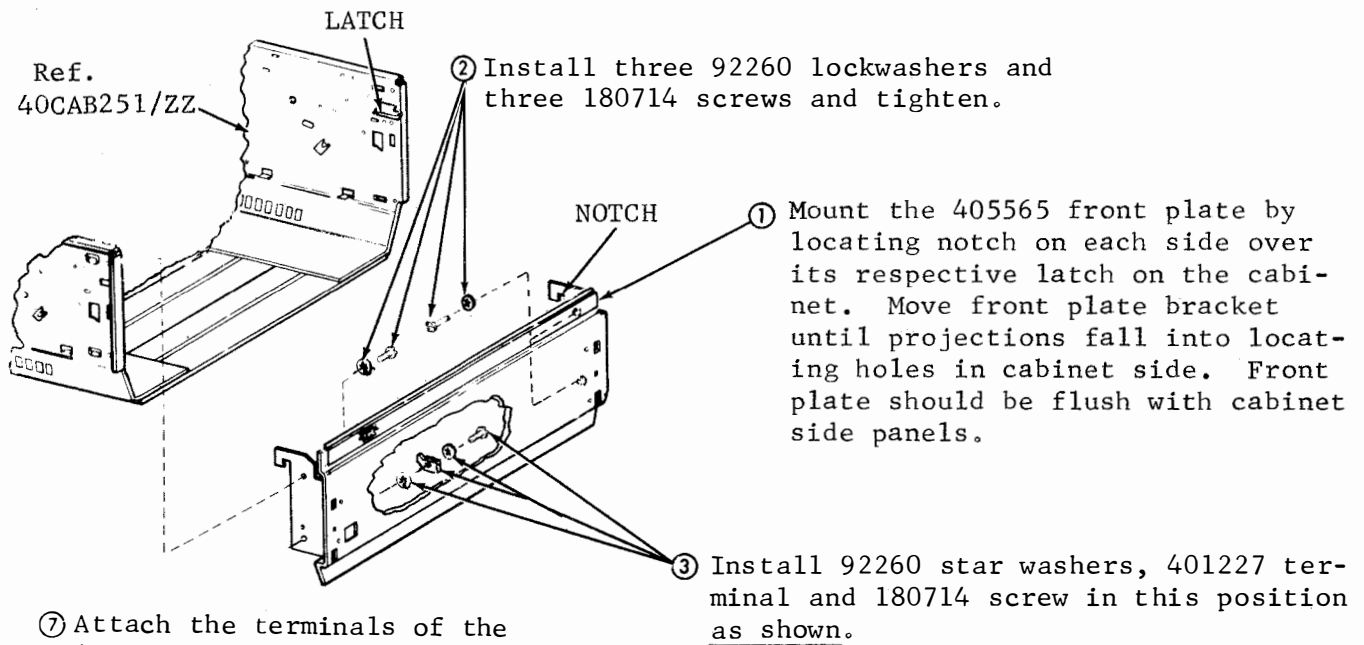
<u>Qty</u>	<u>Part No.</u>	<u>Description</u>	<u>Qty</u>	<u>Part No.</u>	<u>Description</u>
2	3598	Nut	1	312918	Strap, nylon
4	93582	Washer	1	341891	Cable assy
1	104807	Washer	1	401224	Strip, ground
4	107116	Lockwasher	1	401262	Trim, monitor conn.
2	151631	Screw			
4	151723	Screw	1	401263	Trim, ac area
1	152893	Screw	1	401714	Clip
4	156653	Washer	6	401825	Clip, spring
1	181241	Screw w/lockwasher	1	405047	Cable, ac input
			1	407055	Chassis w/fan assy
			2	407078	Strip, ground

- 406047 modification kit (see Paragraph 3.03 for installation instructions)

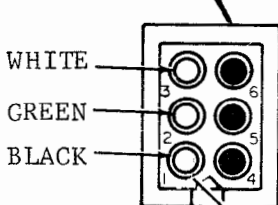
<u>Qty</u>	<u>Part No.</u>	<u>Description</u>	<u>Qty</u>	<u>Part No.</u>	<u>Description</u>
1	121244	Clamp, cable	1	405047	Cable, ac
1	325287	Nut w/lockwasher	1	406046	Cable, monitor
1	401224	Strip, ground	1	406065	Screw, 10-32
1	401714	Clip	2	407078	Strip, ground
6	401825	Clip			

3. INSTALLATION

3.01 Installation of the 405562 modification kit requires the following steps:

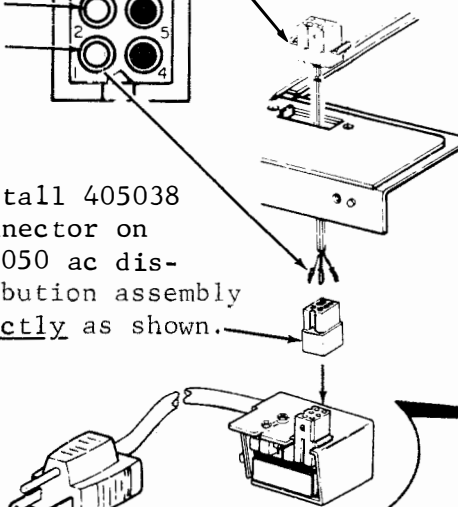


⑦ Attach the terminals of the 405051 ac monitor cable into the 405038 connector exactly to the color code, make sure the terminals are fully seated.



Note: 405051 cable is included with 40CAB251/ZZ cabinet.

⑥ Install 405038 connector on 405050 ac distribution assembly exactly as shown.

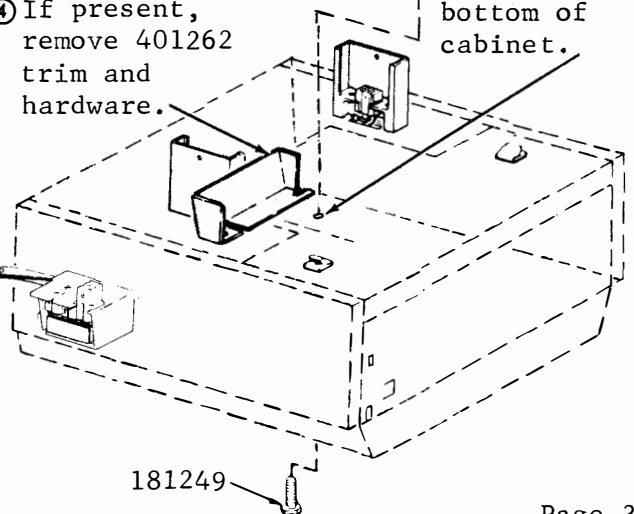


⑤ Mount 407066 cable clamp as shown by first starting 181249 screw into weld nut from below and tighten securely.



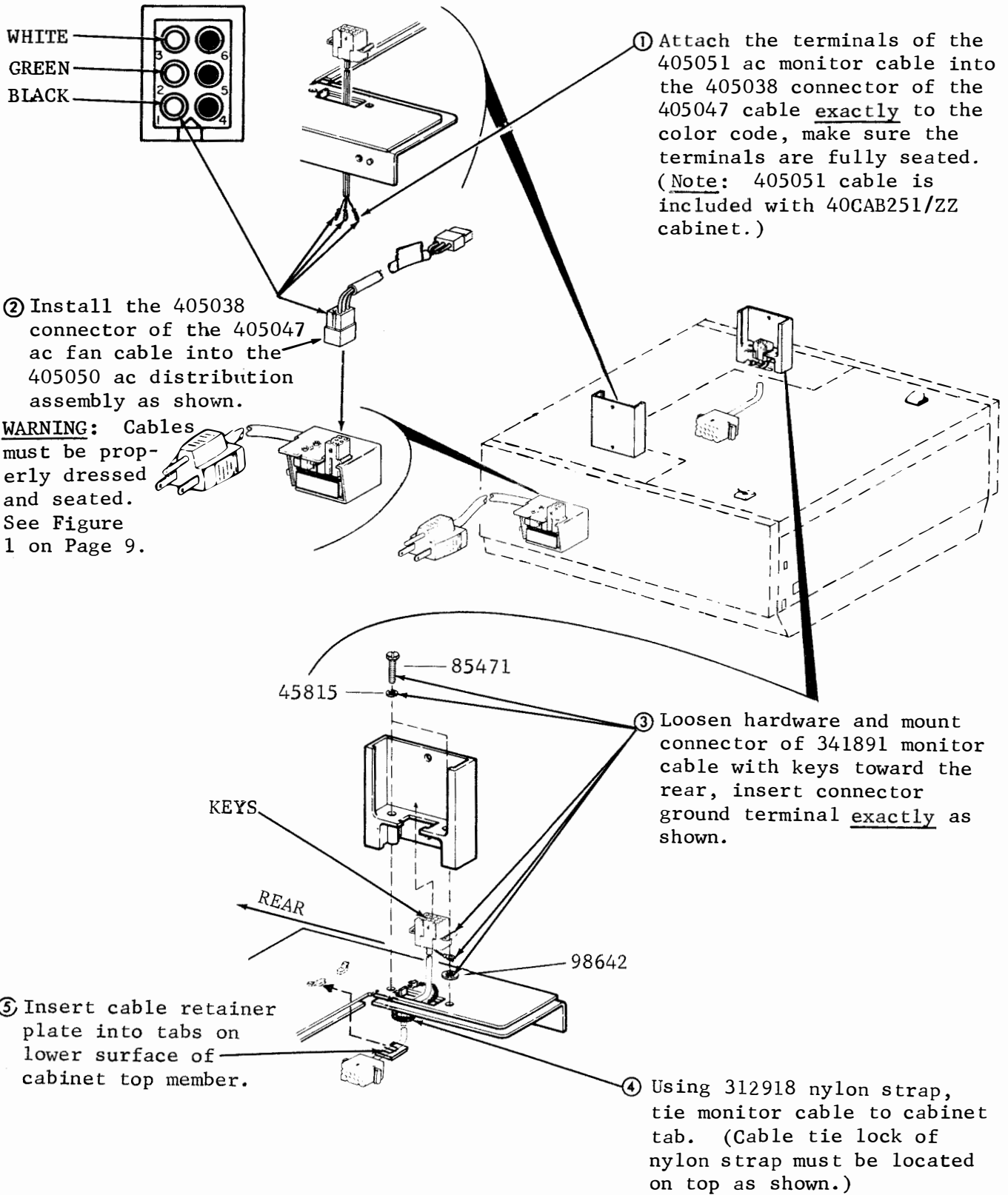
④ If present, remove 401262 trim and hardware.

Weld nut on bottom of cabinet.

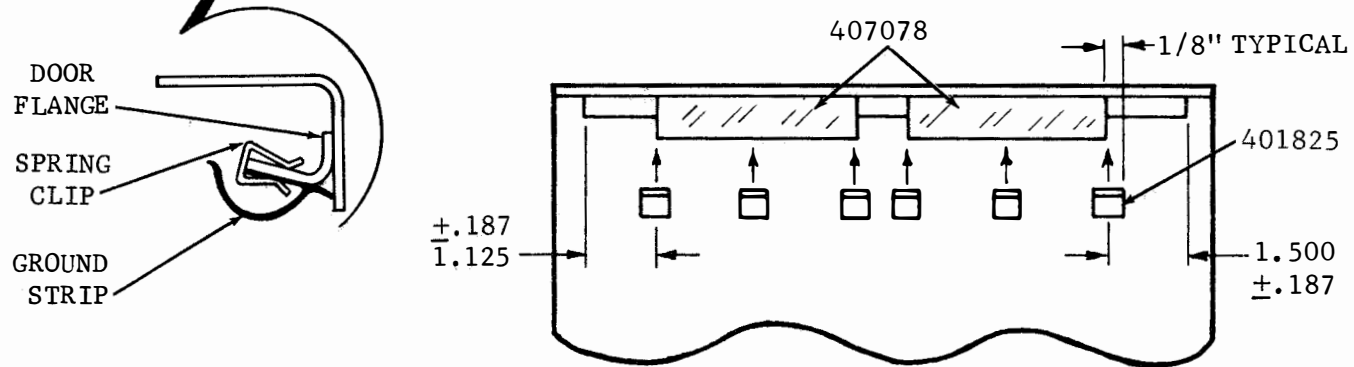
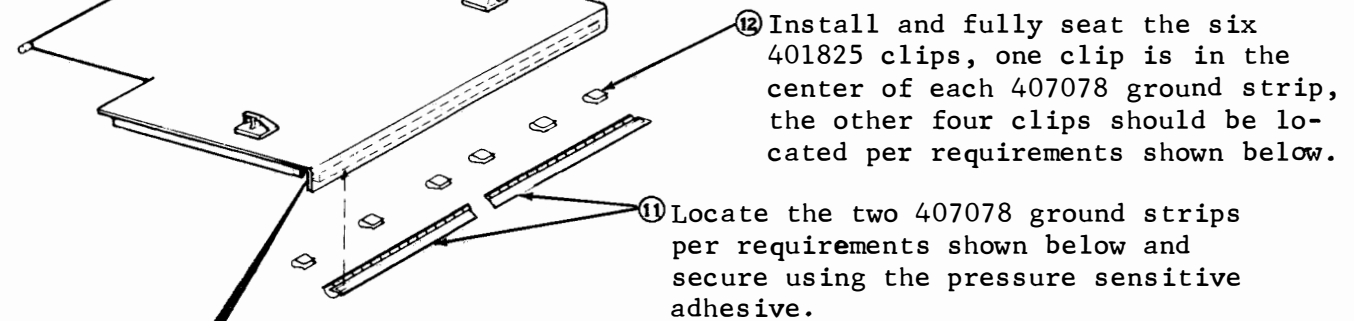
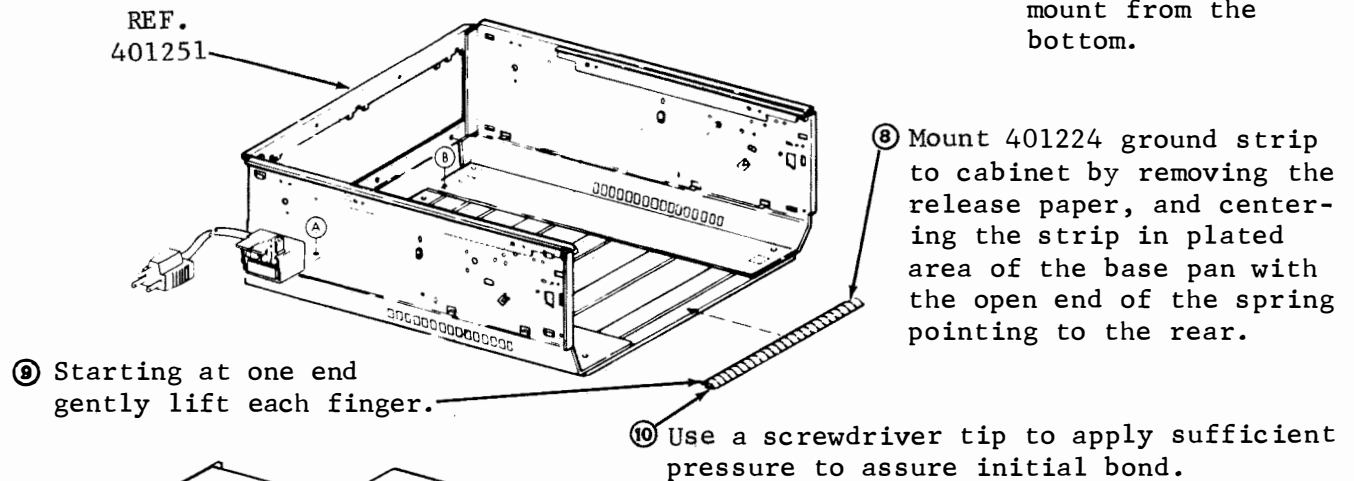
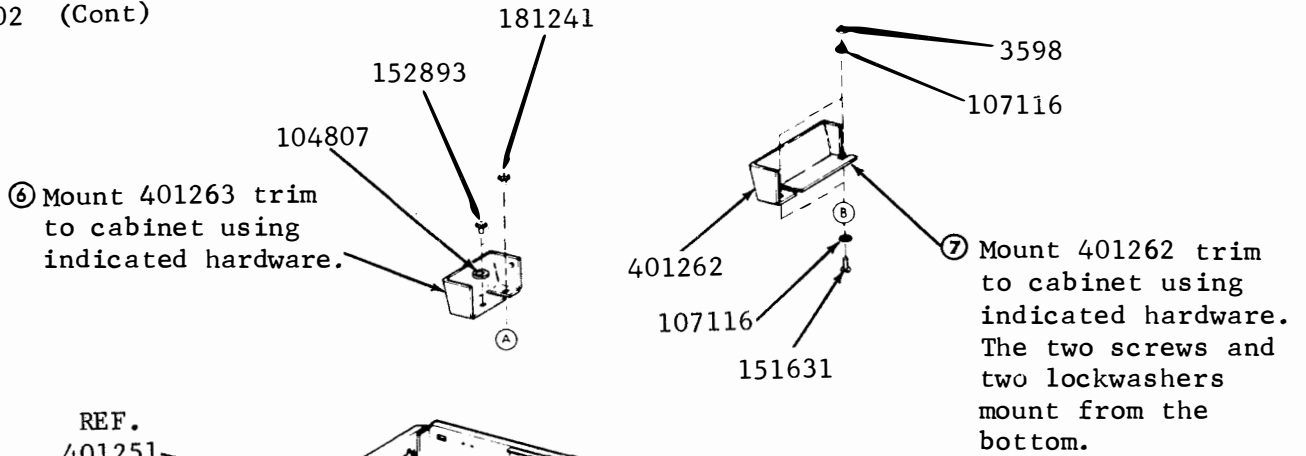


⑧ The 40CAB251/ZZ is now converted. Mark Cabinet identification plate with appropriate Modification Kit Number.

3.02 Installation of the 405563 modification kit requires the following steps:

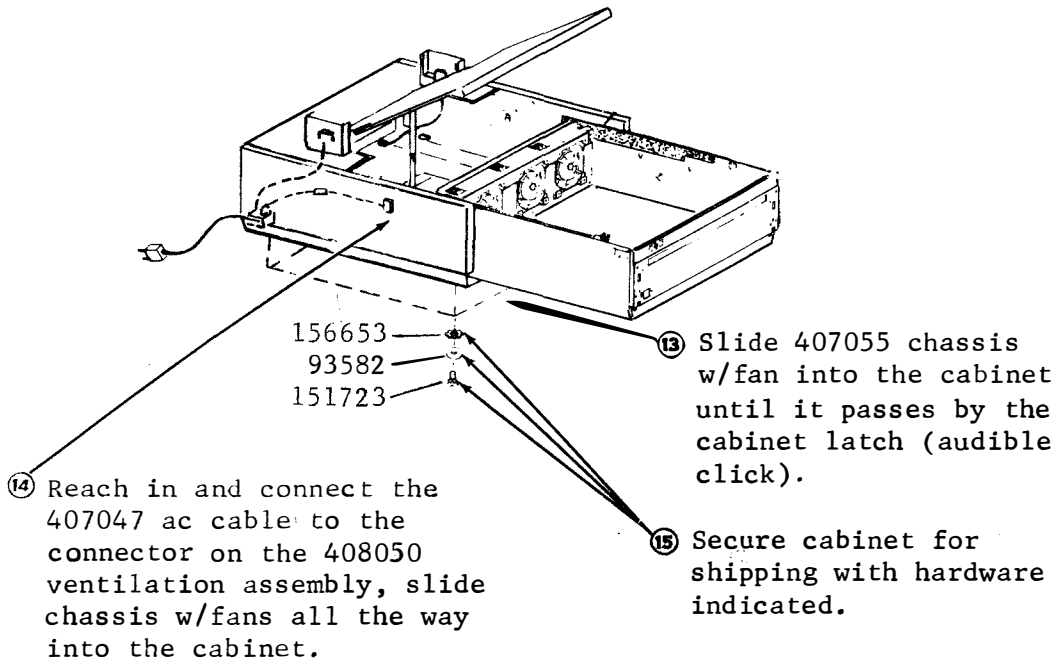


3.02 (Cont)

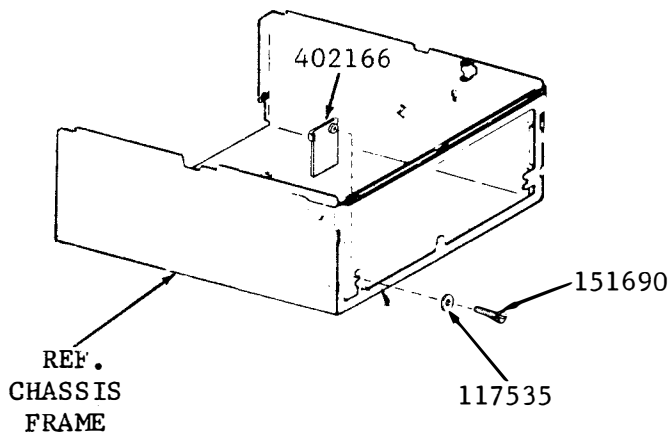


(Bottom View)

3.02 (Cont)

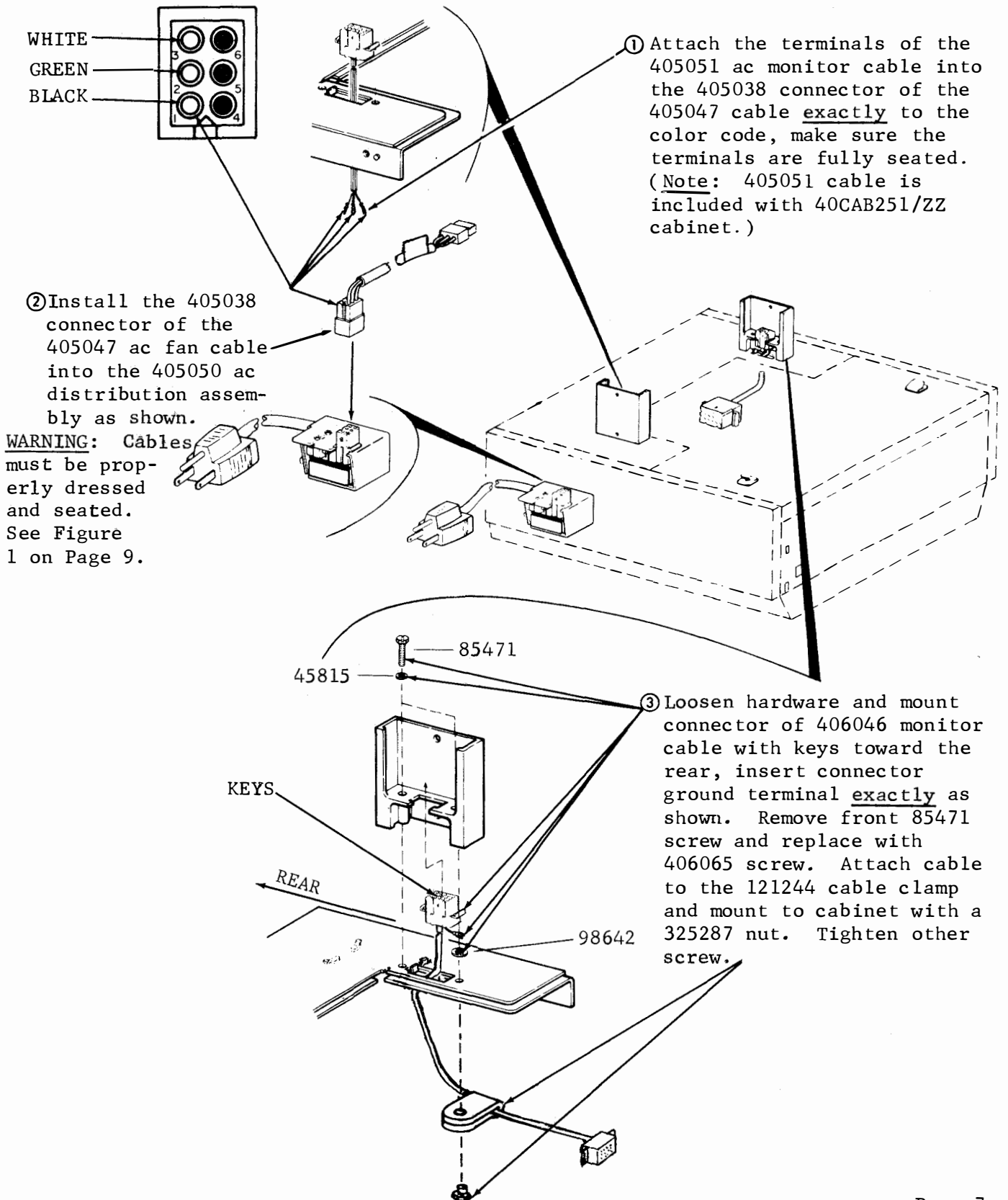


Note: 402166 plate, 151690 screw, and 117535 flatwasher packed in a bag are used to retain Opcon cable that is part of the controller, see mounting location below.

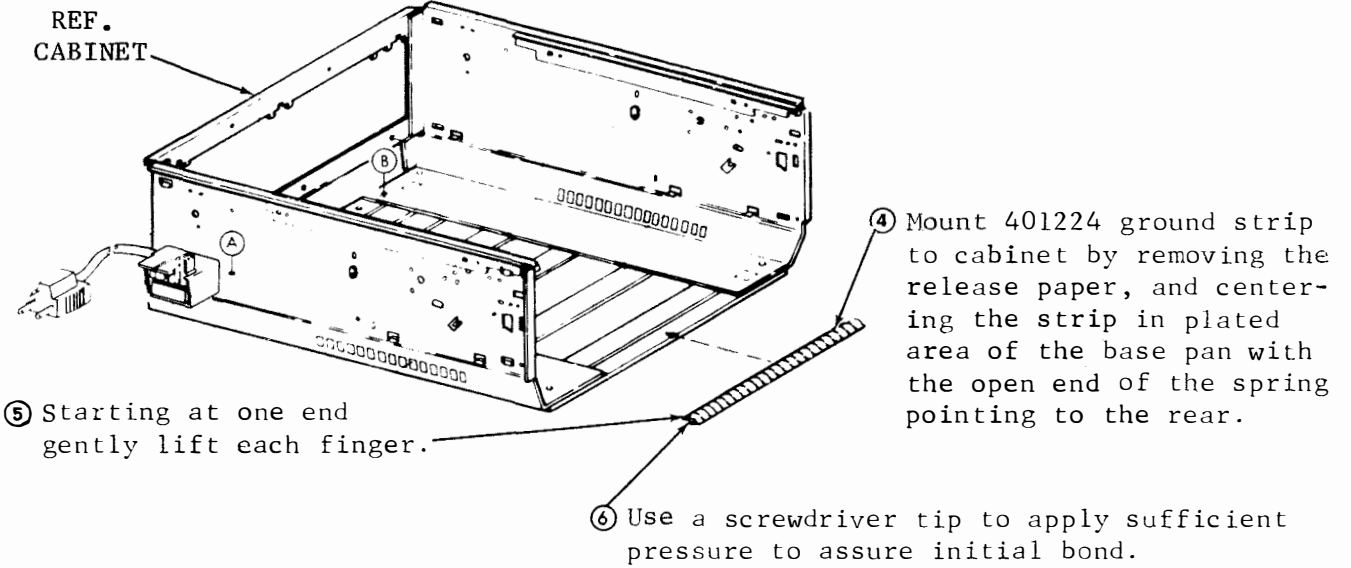


16 The 40CAB251/ZZ is now converted. Mark cabinet identification plate with appropriate Modification Kit Number.

3.03 Installation of the 406047 modification kit requires the following steps:

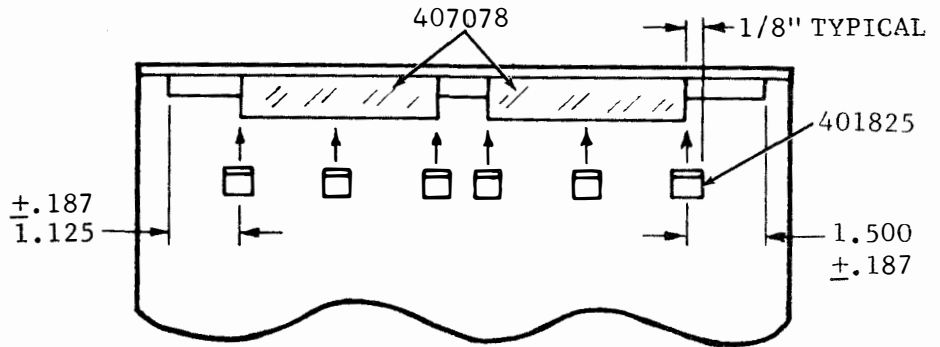
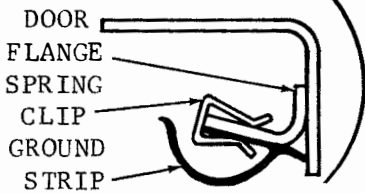
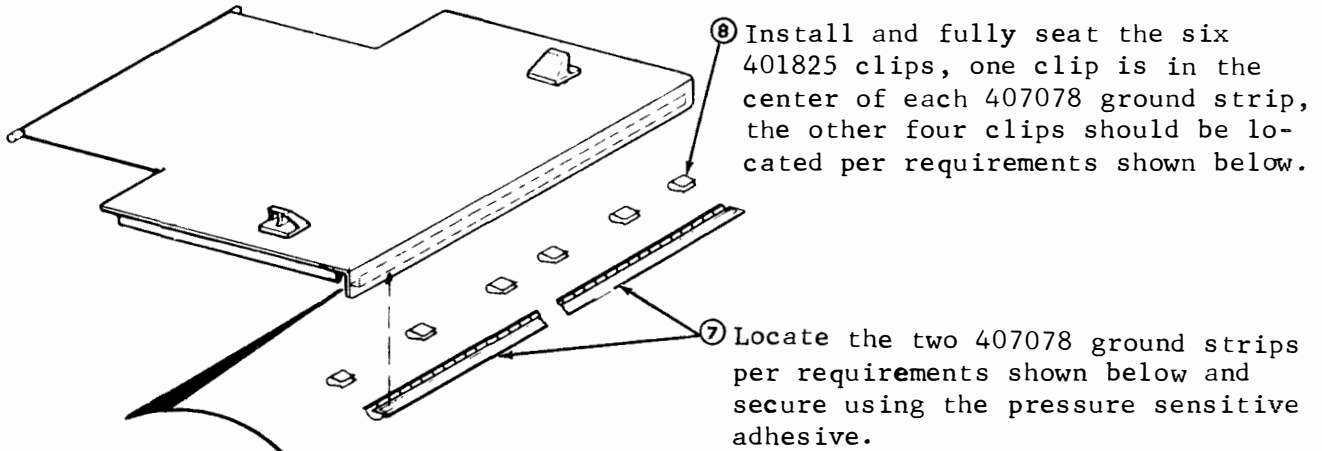


3.03 (Cont)



5 Starting at one end gently lift each finger.

6 Use a screwdriver tip to apply sufficient pressure to assure initial bond.



(Bottom View)

9 The 40CAB251/ZZ is now converted. Mark Cabinet identification plate with appropriate Modification Kit Number.

NOTE: Cables must be dressed and seated exactly as shown.

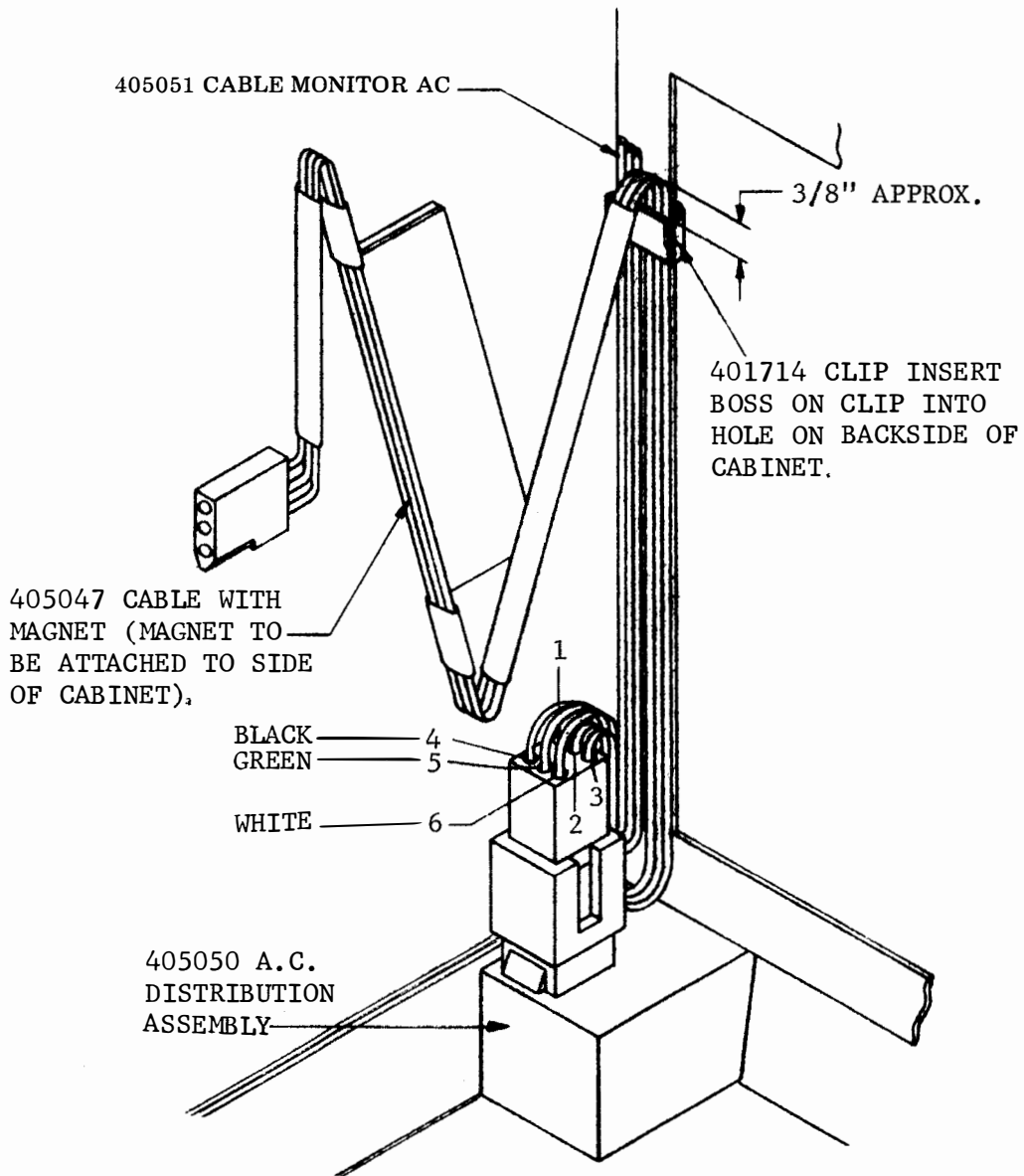


Figure 1