

INSTRUCTIONS FOR ASSEMBLING 4540 TABLES, 45CAB501/AAA (36 INCHES),
45CAB502/AAA (45 INCHES), 45CAB503/AAA (20 INCHES) AND
45CAB505/AAA (24 INCHES)

1. GENERAL

1.01 Carefully unpack box on floor.

Note: Quantities and types of screws used may vary.

1.02 Screw Identification.

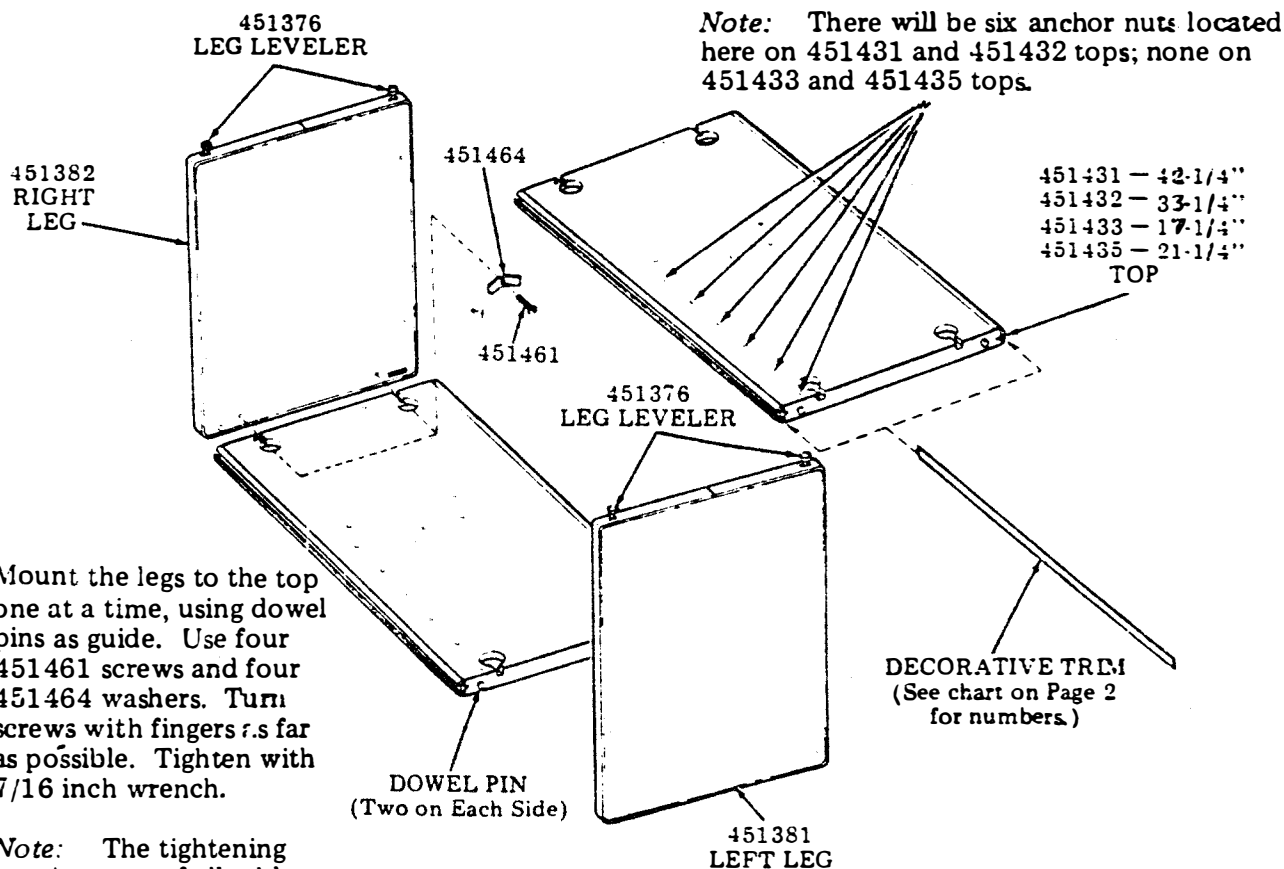
* Qty	Part No.	Description
2	401239	Screw, Hex (use 1.4" Wrench)
4	451461	Screw, Hex (use 7/16" Wrench)
8	451462	Screw, Hex (use 7/16" Wrench)

2. ASSEMBLY

2.01 Refer to the following steps and illustrations for suggested assembly procedure.

● ALL TABLES

- ① Lay table top upside-down on a protected surface.
- ② Slide decorative trim into table top edge trim (one on each side).



- ③ Mount the legs to the top one at a time, using dowel pins as guide. Use four 451461 screws and four 451464 washers. Turn screws with fingers as far as possible. Tighten with 7/16 inch wrench.

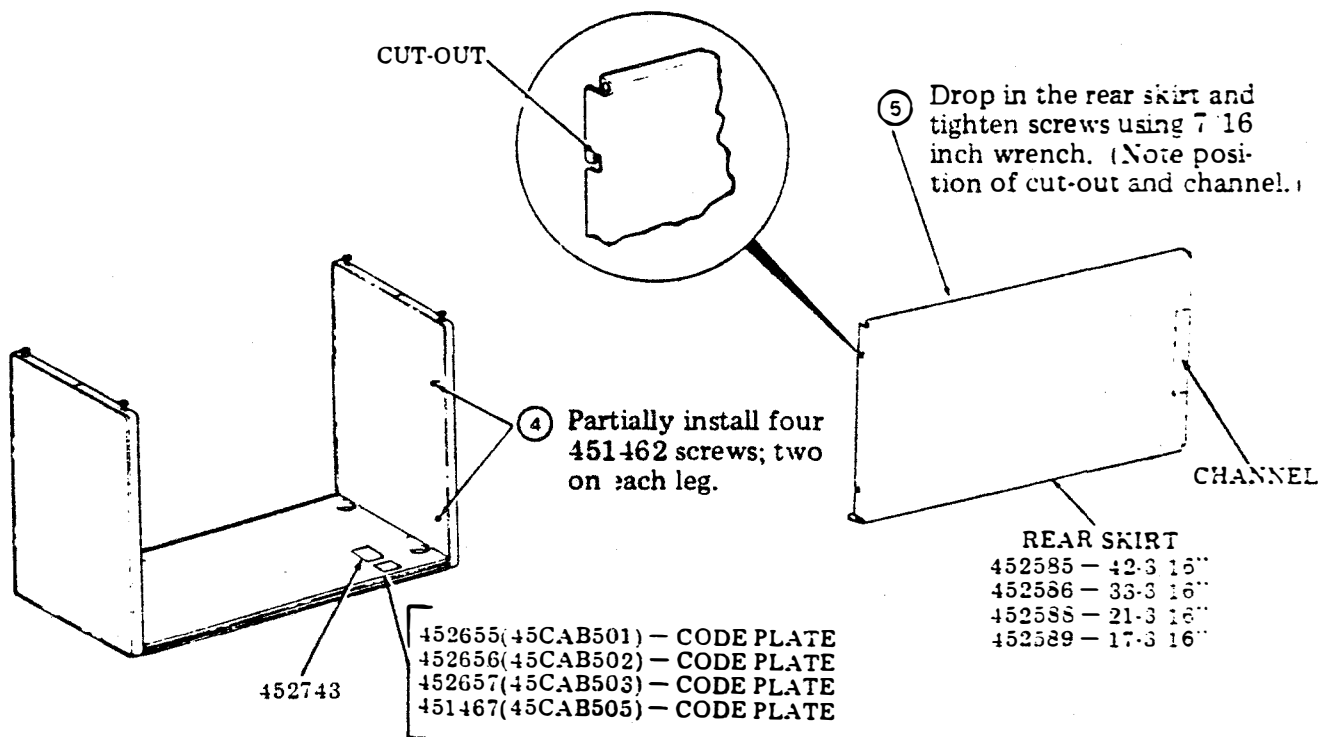
Note: The tightening requirement of all table screws is 22 inch-pounds minimum to 32 inch-pounds maximum.

SPECIFICATION 50957S

2. ASSEMBLY (Contd)

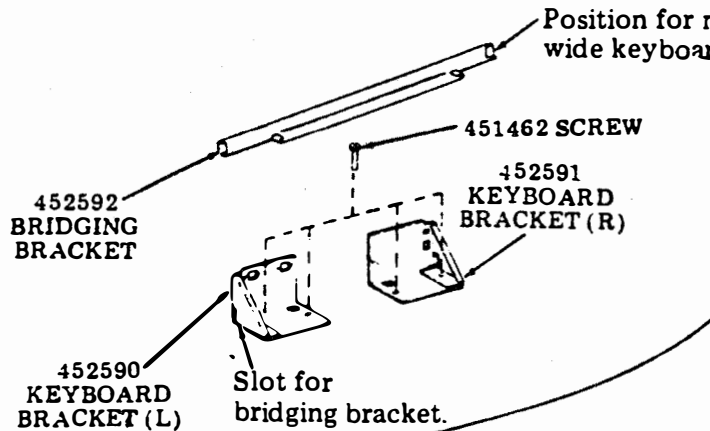
● ALL TABLES (Contd)

DECORATIVE TRIM CHART		
TABLE CODE	DECORATIVE TRIM	FRONT AND REAR NO.
45CAB501/AAA	BA (BELL) TA (TELETYPE)	451151 451491
45CAB502/AAA	BA (BELL) TA (TELETYPE)	451150 451490
45CAB503/AAA	BA (BELL) TA (TELETYPE)	451155 451492
45CAB505/AAA	BA (BELL) TA (TELETYPE)	451486 451496



● 45CAB501/AAA and 45CAB502/AAA Tables (Only)

⑥ Mount keyboard brackets to bridging bracket.
Mount parts to table top.

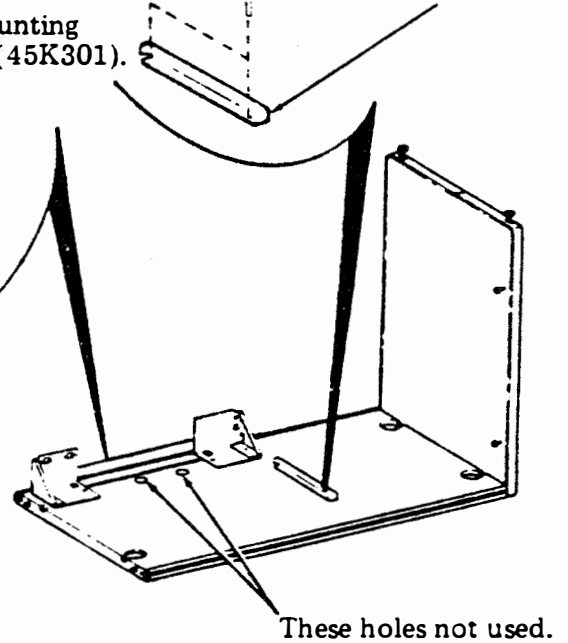


Note: Left leg and skirt not shown for clarity of assembly.

⑦ Mount controller guide.

451239 SCREW

451463 CONTROLLER GUIDE (45CAB502/AAA Only)



⑧ Turn table upright and set in location to be used. If necessary, stabilize table by turning leg levelers not reaching the floor. Size of wrench required is 9/16 inch.