

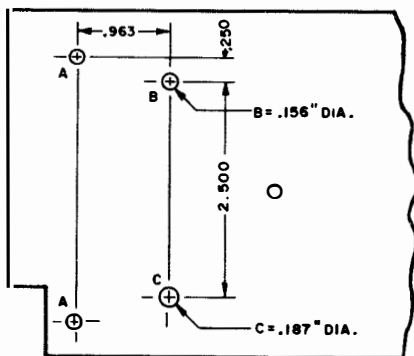
INSTRUCTIONS FOR ADDING THE 410755 TERMINAL AUXILIARY
UNIT (TAU1) TO THE MODEL 43 TELEPRINTER

1. GENERAL

1.01 The 410755 TAU1 circuit card can be used to provide either dc current interface or standard EIA (RS 232) operation for basic M-43 Teleprinters. The 410755 TAU1 circuit card is mounted in the rear frame of the teleprinter, in the space normally occupied by a Terminal Data Unit (TDU) or Terminal Auxiliary Unit (TAU).

2. INSTALLATION INSTRUCTIONS

2.01 The rear frame should be checked for the presence of two holes (location B and C) that match the mounting holes in the 410755 TAU1 circuit card. Drill holes, if necessary, with rear frame removed from set and power supply removed from the rear frame.



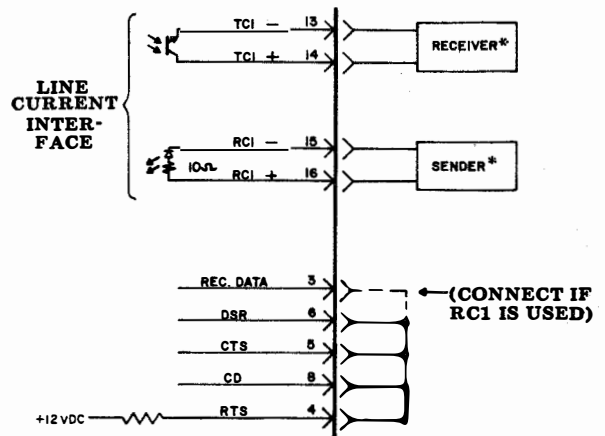
A = Existing Holes

Fig. 1—Rear View of 430551 Rear Frame

2.02 The 118617 screws (3/8 inch long) originally furnished to mount the TDU or TAU should be replaced by four 6-32 by 5/16 inch long screws with lockwashers (341797) to install the TAU1.

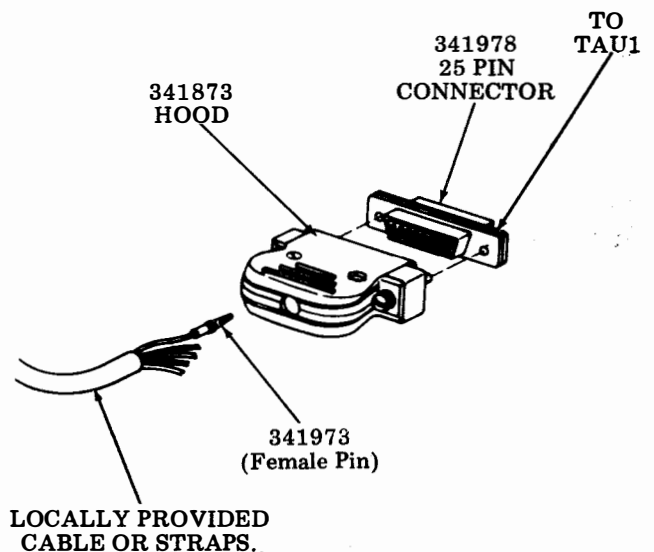
2.03 For EIA interface application, a standard EIA cable should be used.

2.04 If current interface is being used, wire connector as shown in Fig. 2 using parts illustrated in Fig. 3. Any of the line arrangements in Fig. 4 may be selected.



*Limit current to 20 mA or 60 mA, voltage must be between 12 V dc and 125 V dc, supplied by the customer.

Fig. 2

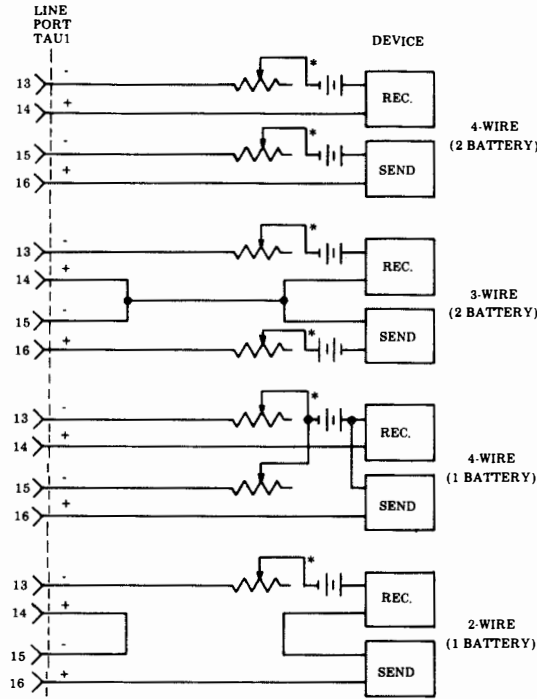


Note: These parts may be obtained from Teletype Corporation if not locally available. Terminals may be soldered or crimped. 20, 22, 24 or 26 (stranded) gauge wire may be used.

Fig. 3

SPECIFICATION 50961S

2.05 After installation is completed, mark the set code plate with an indelible marker to reflect the new set code. See Fig. 5.



*Limit current to 20 mA or 60 mA, voltage must be between 12 V dc and 125 V dc, supplied by the customer.

Fig. 4

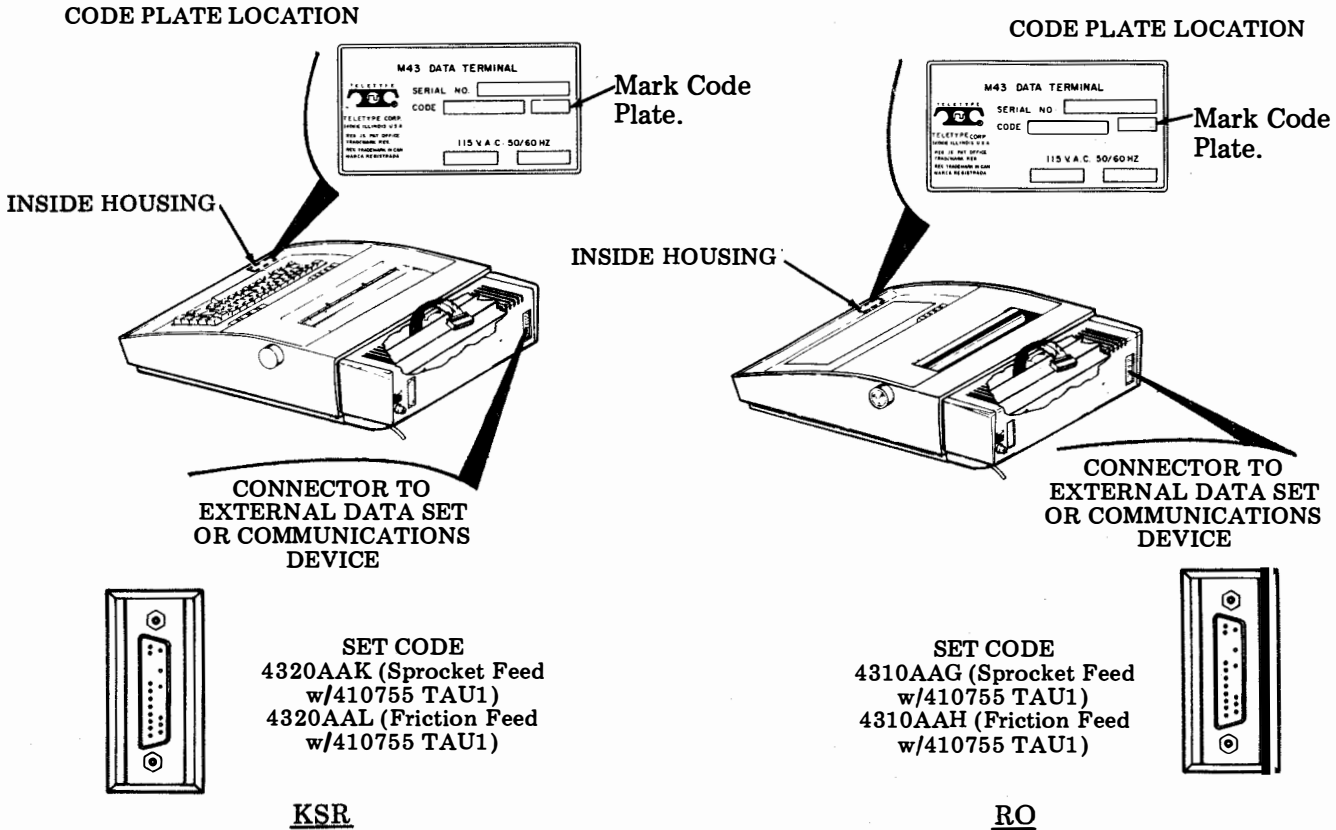


Fig. 5