

INSTRUCTIONS FOR INSTALLING THE 347300 MODIFICATION KIT TO
PROVIDE KEYBOARD DISABLE KEYLOCK SWITCH FOR 45K300 SERIES KEYBOARDS

1. GENERAL

1.01 The 347300 modification kit provides a keyboard mounted keylocking switch and cabling for installation in a keyboard equipped with magnetic stripe reader or a keyboard without magnetic stripe reader. The keyboard lock is located on the left side of the keyboard (as viewed from the front). Two flat keys are provided in the kit.

1.02 When the keylocking switch is operated in the clockwise (unlocked) position a status word is sent from the keyboard permitting transmission from the keyswitches or reader. The locking key is not removable in this (unlocked) position. In some applications, the operator may have to call the host location and request that the device be reinstated after operation of the switch to the unlocked position.

1.03 When the keylocking switch is operated counterclockwise to locked position, a status word is sent from the keyboard and the keyswitches and magnetic stripe reader are prohibited from sending data. The locking key is removable in this (locked) position only. While the switch is in this position, the keyboard can still receive data for lighting indicators, operating the alarm, etc.

1.04 Separate keys or locks are not available. A lock (and included key set) must be ordered as replacement for lost keys.

2. PARTS LIST

2.01 The 347300 modification kit consists of the following parts:

<u>Qty</u>	<u>Part No.</u>	<u>Description</u>
2	151354	Screw

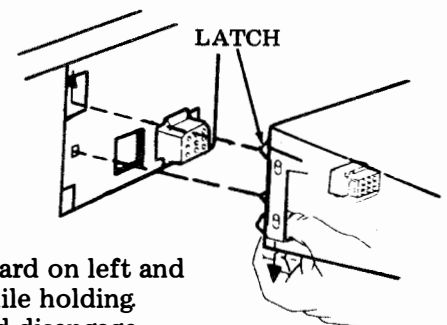
<u>Qty</u>	<u>Part No.</u>	<u>Description</u>
2	153819	Washer, Lock
1	184067	Screw w/Lockwasher
2	186582	Washer, Flat
1	346985	Actuator, Switch
2	346986	Insulator
1	347301	Sleeve, Isolator
1	347302	Cam
1	347303	Bracket Mtg.
1	347304	Switch Assem.
1	347305	Cable, Jumper
1	454205	Lock
*1	346983	Lock (See * on page 4)

Note: When ordering replaceable components, unless otherwise specified, prefix each part number with the letters "TP" (ie, TP410022).

3. INSTALLATION

3.01 The keyboard must be removed from the 4500-type table (3.02) or keyboard base (3.03) prior to installation of this modification kit.

3.02 Removal from 4500-type table:
A tab is located under the keyboard at the rear on both ends, which disengages the keyboard from the table. With the power off, remove the keyboard. See Fig. 1. Go to 3.04.



Press downward on left and right tabs while holding keyboard and disengage from cabinet.

Fig. 1

SPECIFICATION 50966S

3.03 Removal of keyboard base:

- Pull down on the two latch levers to disengage sliding latches. Remove base from keyboard. See Fig. 2.

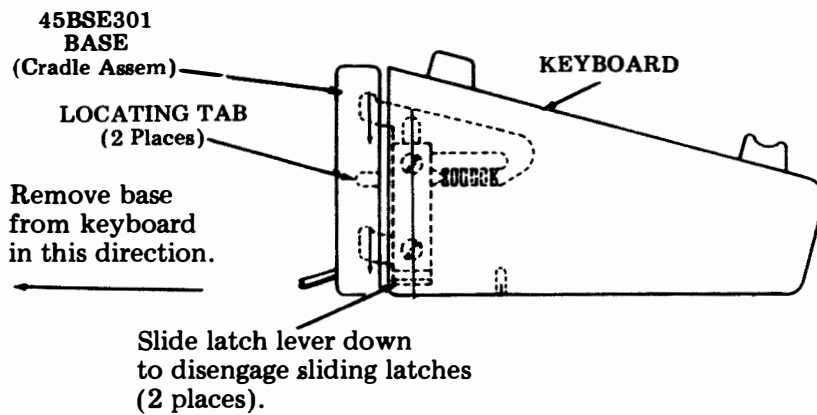


Fig. 2

3.04 Removal of 347309 plastic cover and 453959 fasteners. See Fig. 3.

- ① Taking care not to damage keytops, place keyboard on a clean even surface with the keytops facing down as shown.

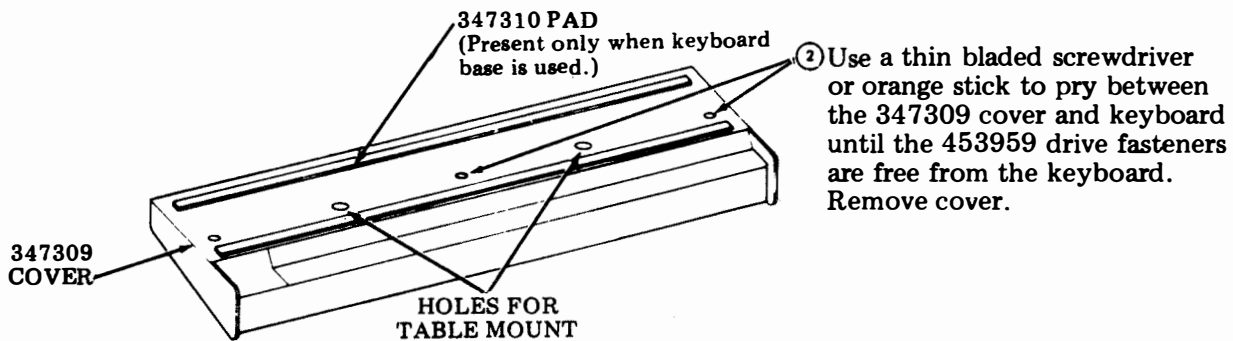


Fig. 3

3.05 Removal of keyboard cover. See Fig. 4.

- ① Stand keyboard on back side as shown:

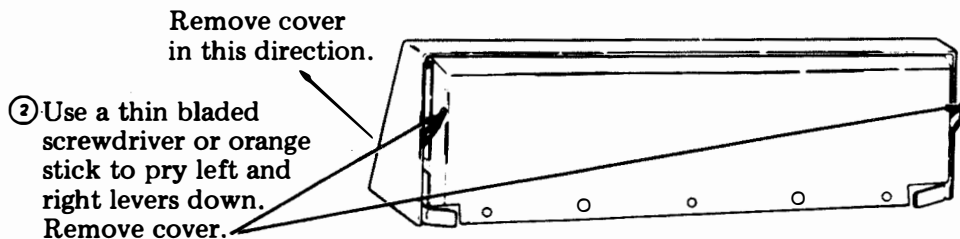
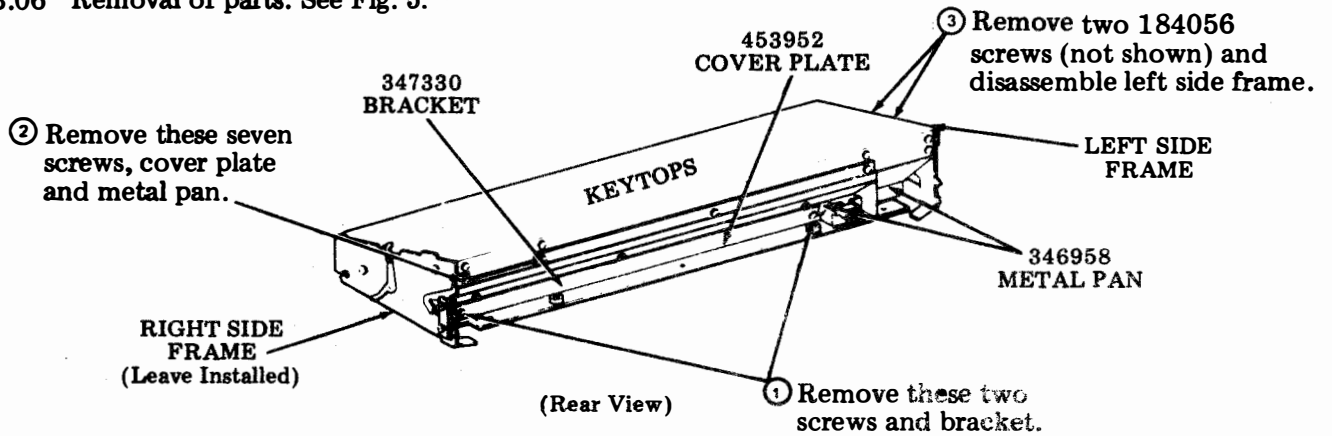


Fig. 4

3.06 Removal of parts. See Fig. 5.



Caution: Side frame adjustment positions keyboard cover.

Fig. 5.

3.07 Assembly of 347304 switch assembly. See Fig. 6 through Fig. 9.

- ① Assemble the 347304 switch assembly and 345986 insulators to the 347303 mounting bracket (shown in Fig. 7) using the 151354 screws, 153819 lockwasher and 186582 flat washer. Do not tighten screws.

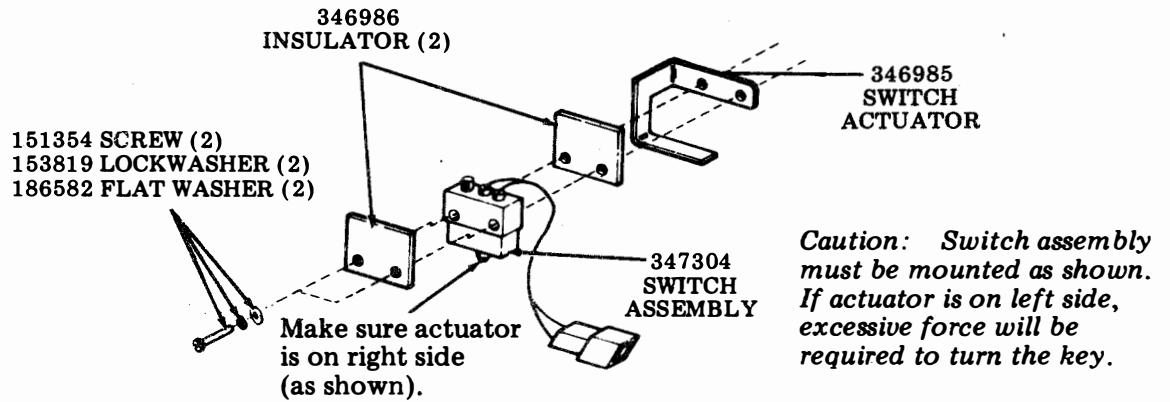


Fig. 6

- ② Assemble 347301 isolator sleeve and 347303 mounting bracket with switch assembly of ① side frame and secure with the 184067 screw.

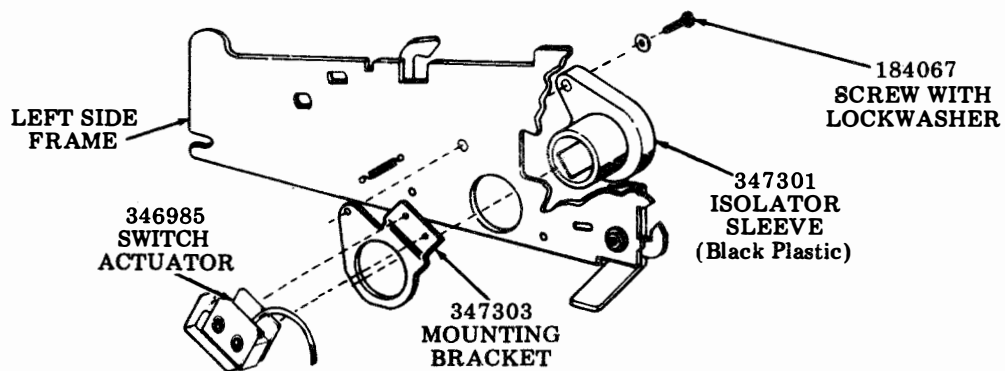


Fig. 7

SPECIFICATION 50966S

- ③ Assemble the 347302 cam to the *454205 lock with the high part of the cam toward the switch (see ④). Secure with nut and lockwasher or screw with lockwasher, whichever is supplied. See Fig. 8.

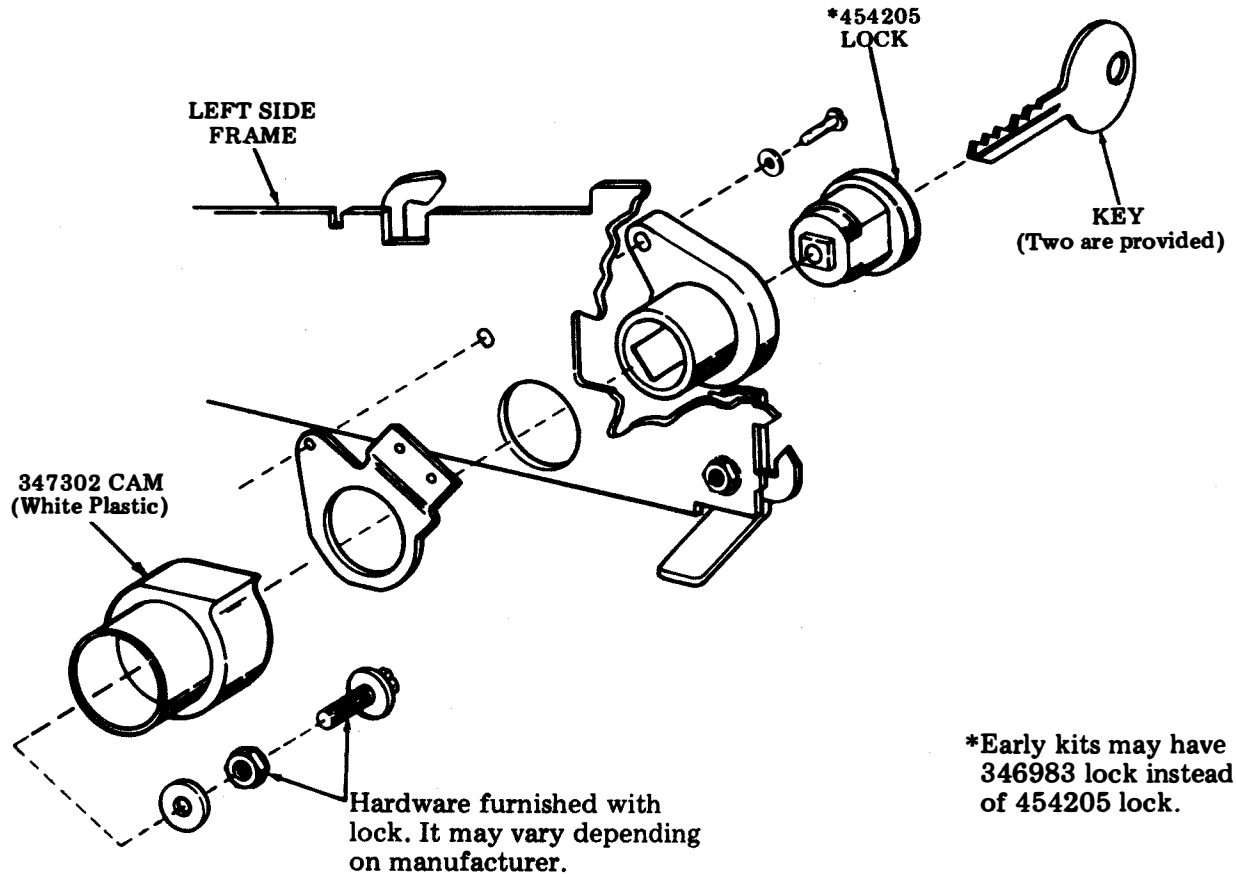


Fig. 8

- ④ The lock should be assembled in the sleeve so that in the "off" position the key is inserted with the notched, or bitted side up. See Fig. 9.
- ⑤ Tighten switch assembly mounting screws.

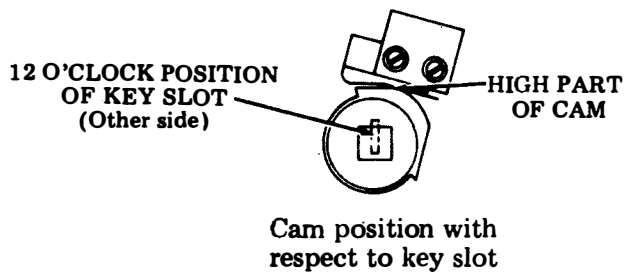


Fig. 9

3.08 With the keyboard cover removed, remove the MOS covers as shown in Fig. 10.

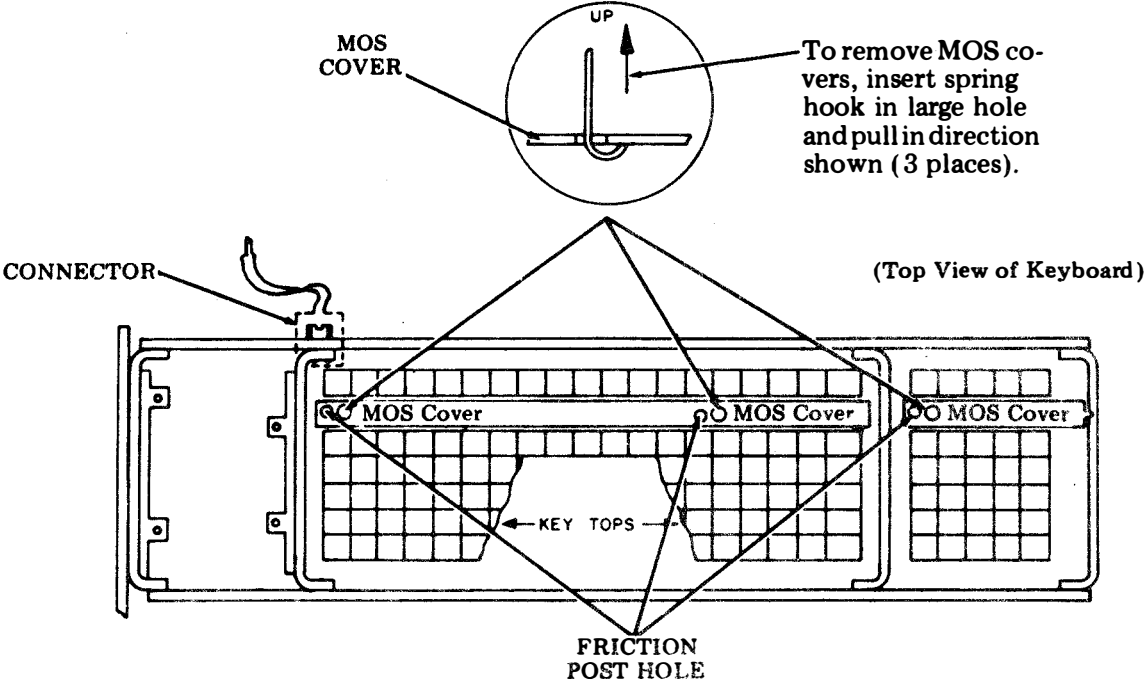


Fig. 10

3.09 For keyboard with Magnetic Stripe Reader (MSR):

When the keyboard is equipped with a Magnetic Stripe Reader, connect the connector on the switch assembly into the connector on the magnetic stripe reader cable. Discard the 347305 jumper cable (part of the modification kit). See Fig. 11.

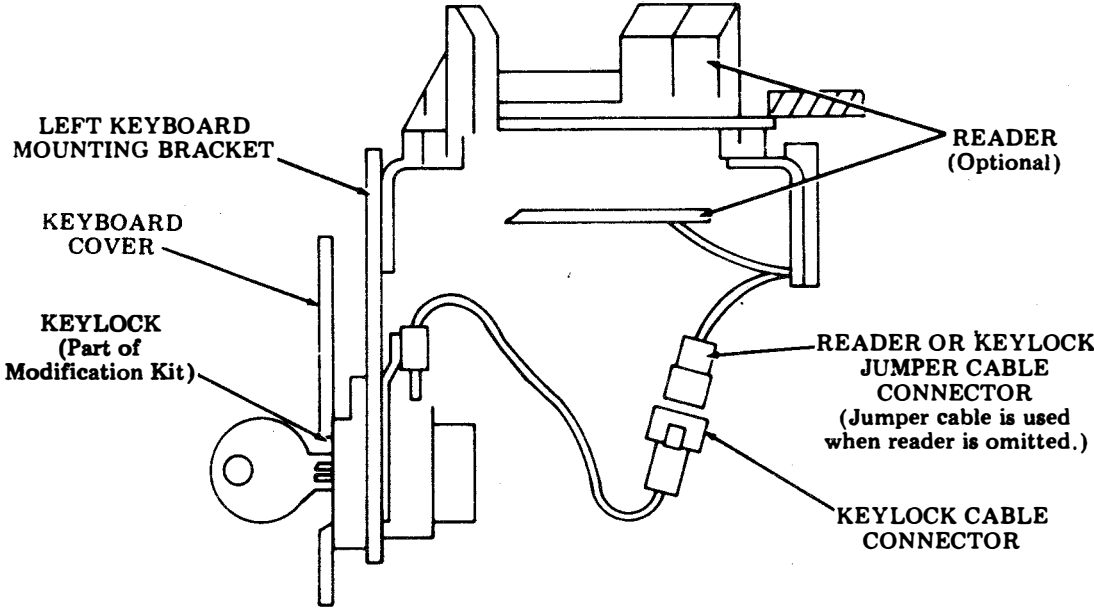


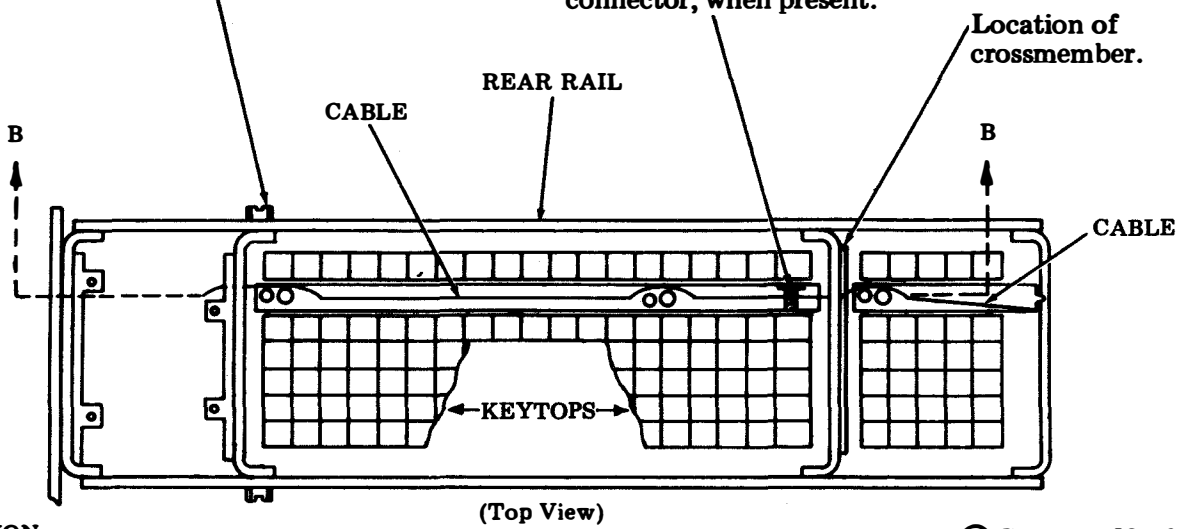
Fig. 11

SPECIFICATION 50966S

3.10 For keyboard without MSR, see Fig. 12:

① Lift off blank plastic panel. Remove the remaining mounting screw, on rear only, and swing subassembly to the left to provide clearance for jumper cable connector.

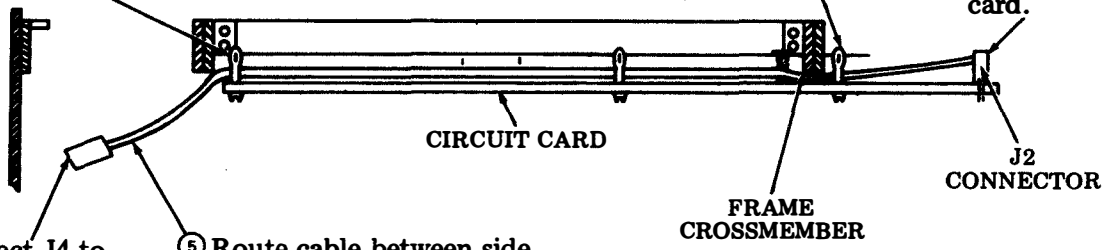
④ Route jumper cable behind 3-digit display connector, when present.



FRICTION POST

③ Route jumper cable connector under frame crossmember.

② Connect J2 of 347305 jumper cable to circuit card.



⑥ Connect J4 to connector of switch assembly (see Fig. 11).

⑤ Route cable between side frame and end of card.

Fig. 12

3.11 Reassembly, see Fig. 13:

① Install MOS covers as shown:

Install large MOS cover so that projection bears against upper row of keyswitches.

Install short MOS cover so that tab engages hole in side frame.

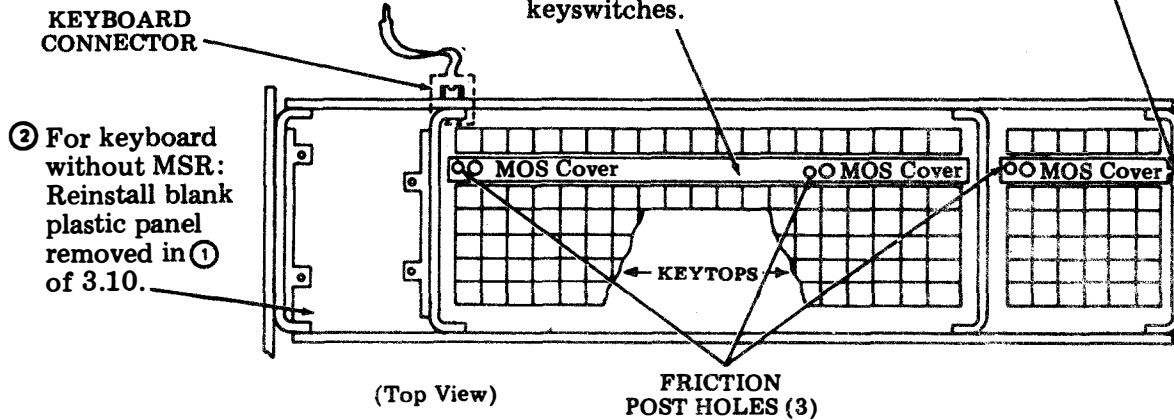


Fig. 13

③ Install the mounting screw (in the repositioned subassembly) removed in ① of 3.10.

④ Reassemble side frame by reversing the procedure of ③ of 3.06. Reassemble rear cover plate, metal pan, and bracket removed in ① and ② of 3.06. Install metal pan so that right ear of bracket that mounts SSI connector is visible. Install bracket so that the ear is not visible (use the longer screws).

⑤ Remove the 346972 button from the left side of the keyboard cover shown in Fig. 14 and reassemble cover to keyboard by reversing the procedure in 3.05.

⑥ Reassemble keyboard to table or base by reversing the procedure in 3.02 or 3.03 as applies.

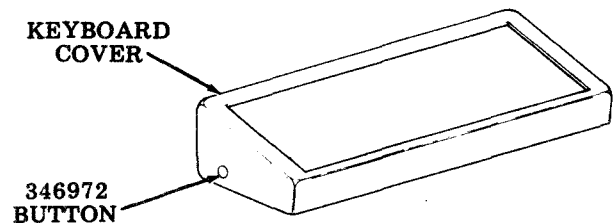


Fig. 14

Testing and Troubleshooting

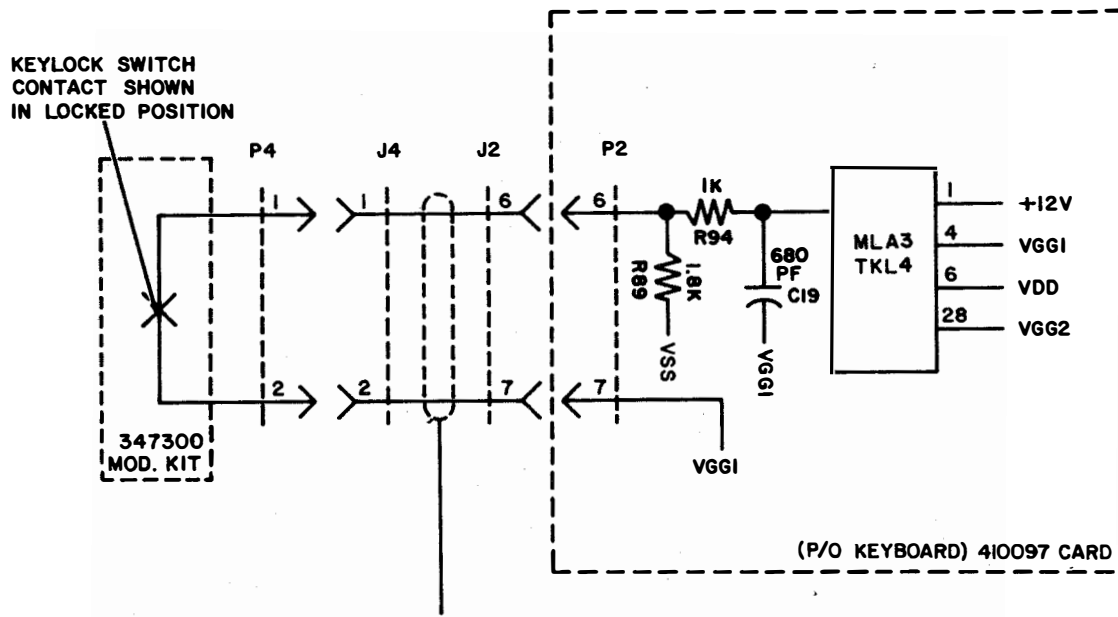
3.12 With the keyboard enabled (keylocking switch in its clockwise 3 o'clock position), use a telephone to call the host and request that the terminal be reinstated. The local indicator on the keyboard should be lighted. Depress key, if not lighted.

3.13 If the local key indicator does not light or local operation of the terminal cannot be performed:

- (a) Check to see that the SSI connector from the display is properly seated in the keyboard base cable or rear of the keyboard (as applies).
- (b) Check pins at SSI connector(s) of display base keyboard cable and keyboard base cable (as applies).
- (c) Check to see that proper voltage is present at pins 7 and 8 of the SSI connector and refer to schematic diagram of 4. Also check pin 4 of the connector for zero voltage.
- (d) Refer to station troubleshooting in Manual 437 or for Bell System, refer to Section 582-300-500.

3.14 Check that no key binds on keyboard cover. The left side frame adjustment may have been disturbed.

4. SCHEMATIC OF KEYLOCKING SWITCH ASSEMBLY



45K301/GAA/03: 347305 JUMPER CABLE
 45K301/GAA/02: PART OF MSR CABLE

5. DISASSEMBLY/REASSEMBLY

5.01 Disassembly/reassembly of a station arrangement equipped with this modification kit is not affected other than as given in Parts 3 - 5.

6. OPERATOR INFORMATION

6.01 Changes in operator actions affected by this modification kit are already described in the operator's manual.