

INSTRUCTIONS FOR INSTALLING A 403160 MODIFICATION KIT
TO PROVIDE KEYTOPS FOR THE 40K104 KEYBOARD USED
IN THE AT&T "BOSS" APPLICATION

1. GENERAL

1.01 The 403160 modification kit provides keytops to change the 40K104/DAA or DAB keyboard for use on a KD designed for the 4540 product line. These keytops replace 11 PF keytops located on the first row of the keyboard.

1.02 The 403160 modification kit can be used on other Model 40 and 45 keyboards where the keyswitch style on the top row is nonindicator.

Qty	Part No.	Description
1	454392	Keytop (BILL)
1	454393	Keytop (IC)
1	454394	Keytop (OCC)
1	454395	Keytop (CSR)
1	454396	Keytop (PREV)
1	454397	Keytop (NEXT)
1	454398	Keytop (NOTE)
1	454399	Keytop (ASUM)
1	454400	Keytop (COMPUTE)
1	411486	Label

2. PARTS LIST

2.01 The 403160 modification kit consists of the following parts:

Qty	Part No.	Description
1	454390	Keytop (F/B)
1	454391	Keytop (ENTRY)

3. INSTALLATION

3.01 Remove and install keytops where shown in Fig. 1 and Fig. 2.

3.02 A keytop removal tool 346260 is available to remove the keytops but is not a part of this kit.

3.03 Keytop Layout:

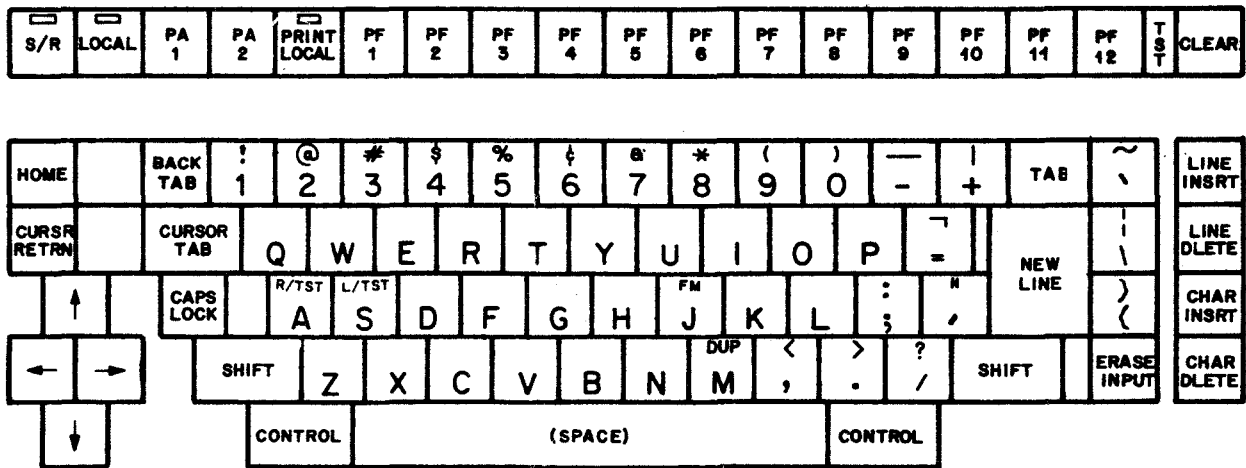


Fig. 1—Standard 40K104/DAB Keytop Layout

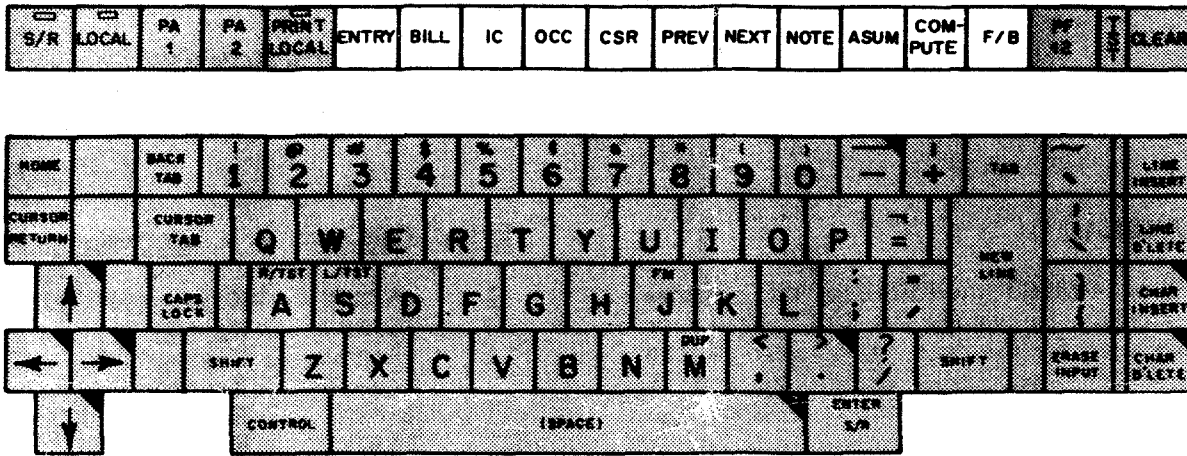
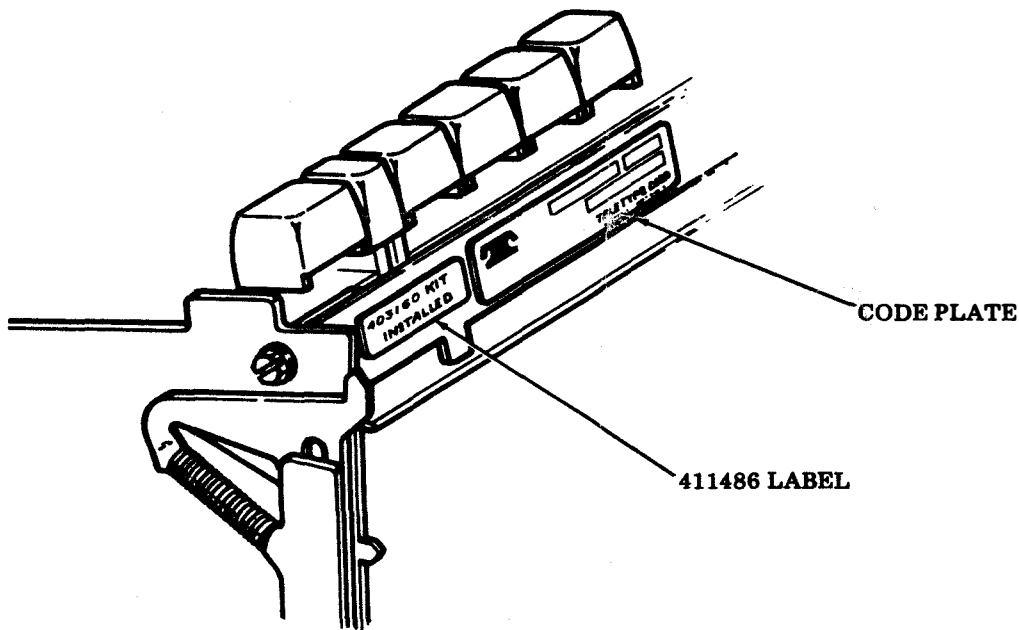


Fig. 2—Modified 40K104/DAB Keytop Layout

Unshaded keytops comprise the 403160 modification kit.

3.04 Peel the paper backing from the 411486 adhesive backed label. Install label on the rear keyboard frame, adjacent to the code plate, as shown below.



4. OPERATOR INFORMATION

4.01 The use of the keys which comprise the 403160 modification kit are system dependent. They provide the function of the PF keys which are explained in the system How To Operate Manual.