

Teletype Corporation  
Chicago, Illinois, U.S.A.

**RTTY ELECTRONICS**  
**TELETYPE=Sales-Service-Parts**  
**PO Box 20101 El Sobrante, Ca.**  
**94820. (510)222-3102**  
**mr\_rtty@pacbell.net**

Specification S-5622  
Issue 1, Page 1  
December, 1949

INFORMATION FOR  
THE 106994 AND 106995 SETS OF PARTS  
AS USED ON THE 89974 CAM PULSING CONTACT ASSEMBLY  
OF THE PERFORATOR TRANSMITTER

1. GENERAL

a. In order to overcome breakage of the 84923 and 84924 riveted operating springs, they are being replaced by the 120594 and 120595 one-piece springs respectively.

b. The 106994 set of parts consists of the following:

1	82547	Insulator
2	83954	Bushing
2	98832	Screw 4-40 x 11/16 Fil. Hd.
1	112127	Cam Follower Hinge
1	112128	Cam Follower Retainer
1	120595	Cam Follower (Left)

c. The 106995 set of parts is the same as the 106994 set of parts except that the 120595 Cam Follower (Left) is replaced by a 120594 Cam Follower (Right).

d. For part numbers referred to which are not included in the foregoing list refer to Teletype Perforator Transmitter Parts Bulletin.

2. INSTALLATION

For parts to be removed and added to the 89974 cam pulsing contact assembly see Figure 1.

3. ADJUSTMENTS

For adjustments see Figures 2 and 3.

4. LUBRICATION

See Figure 3.

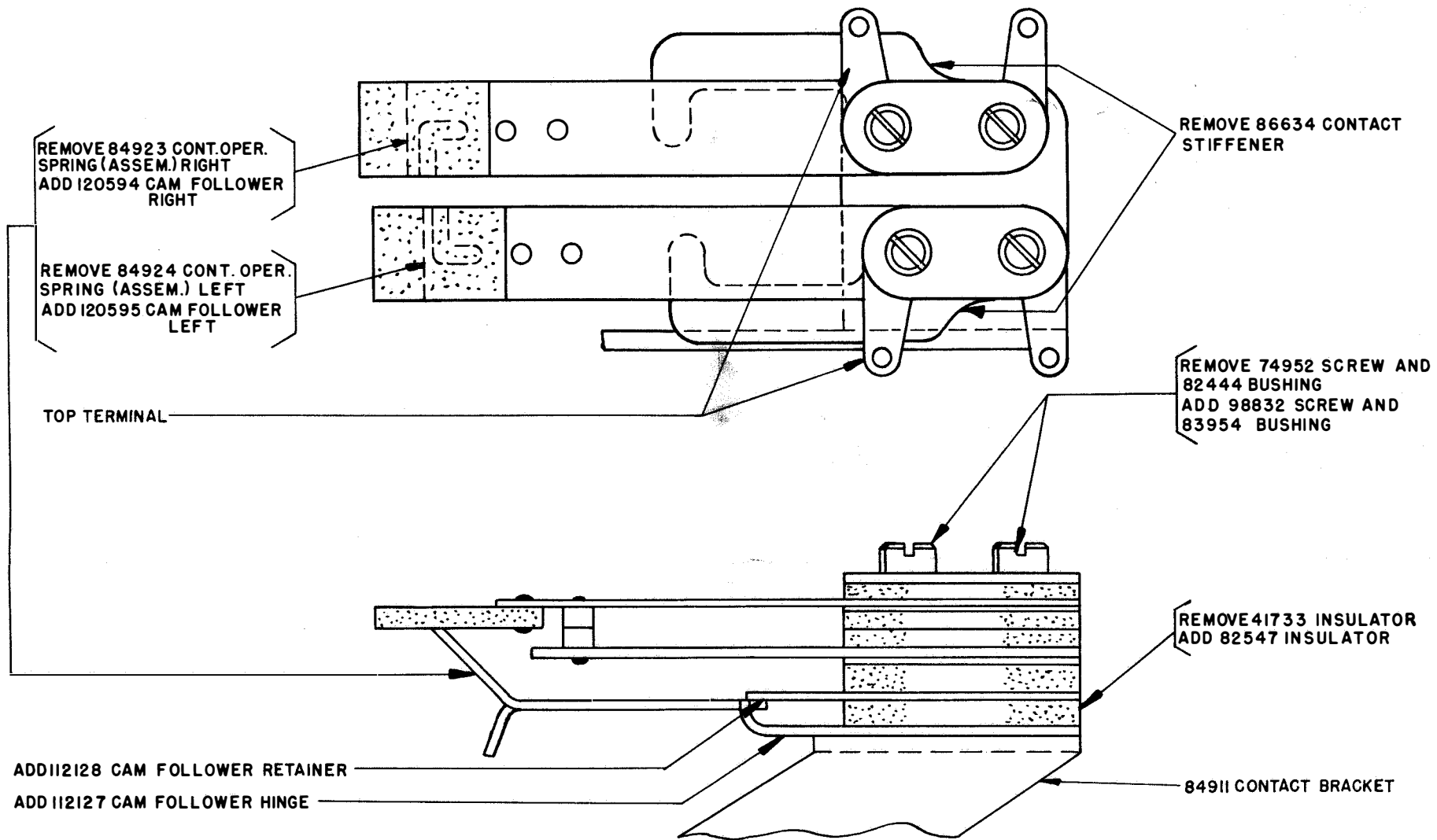


FIGURE 1

# CAM PULSING CONTACT ASSEMBLY ADJUSTMENTS

## (A) Contact Alignment

### Requirement

Cam follower ride centrally on cam.

Contact points in alignment.

To adjust

Loosen screws and shift contact assembly.

## (B) Contact Clearance

### Requirement

Min. .010"

Max. .020"

To adjust

Bend lower spring.

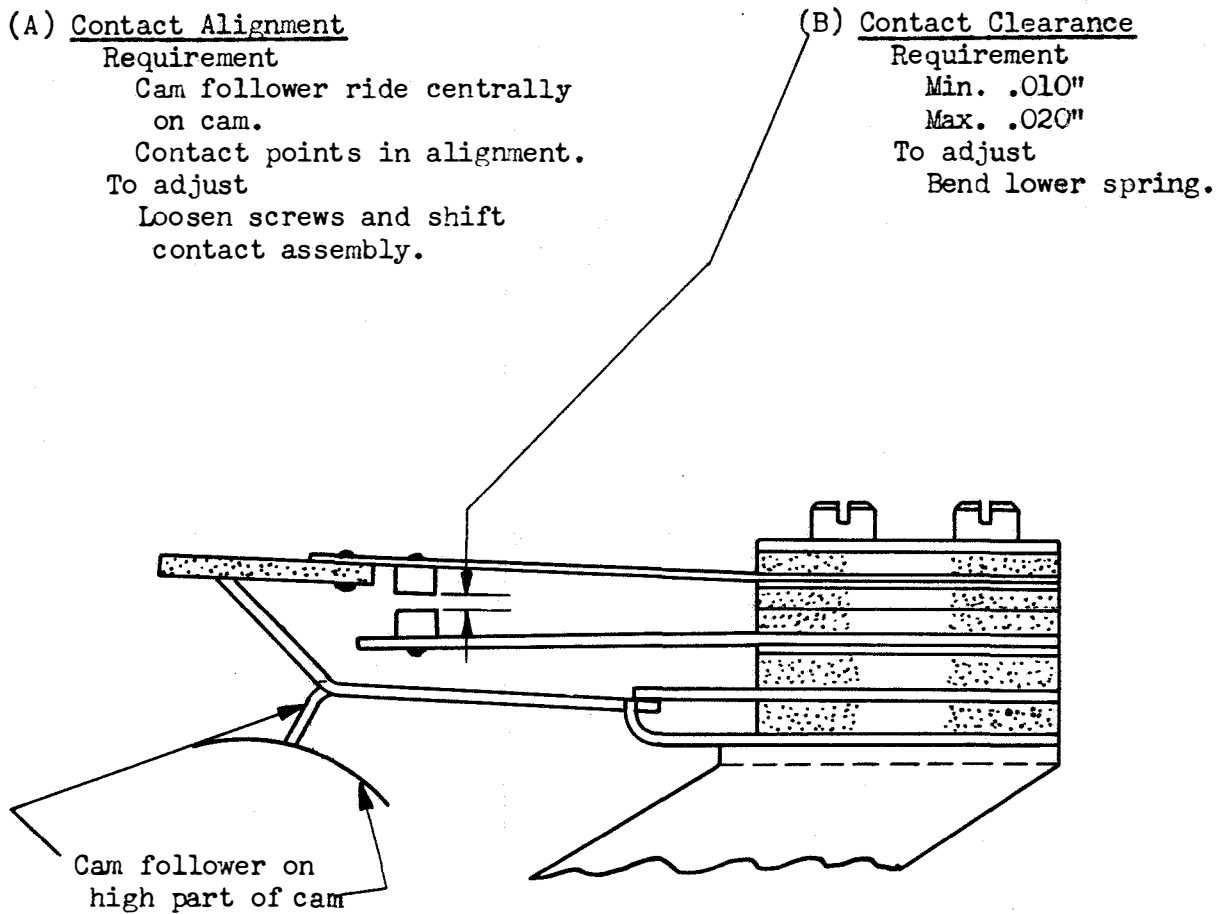


FIGURE 2

Remove filters if so equipped.

(A) Contact Tension

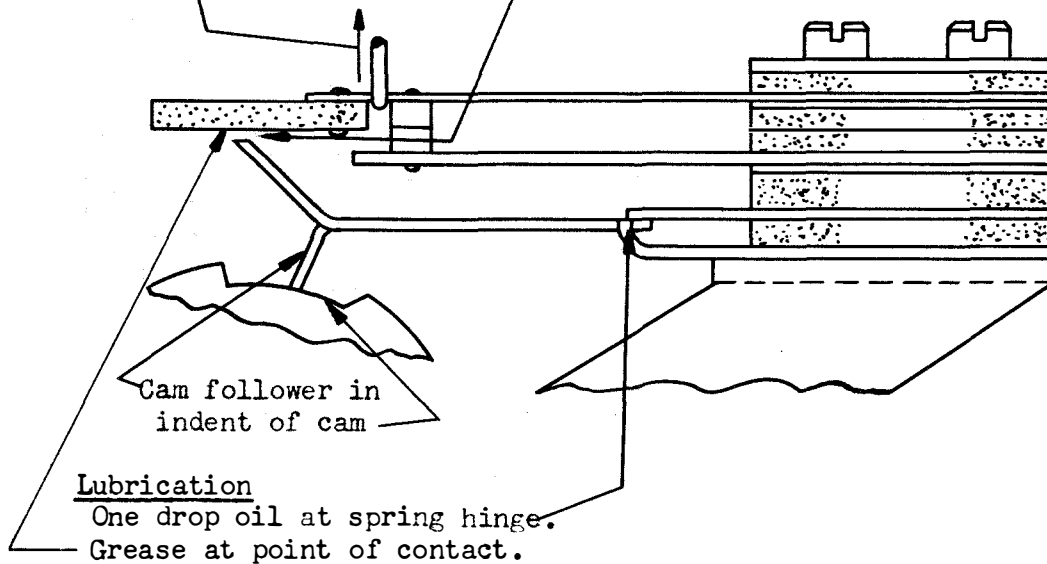
Requirement to separate contacts  
Min. 3-1/2 ozs.  
Max. 4-1/2 ozs.  
Contact surfaces must meet  
squarely.

To adjust  
Bend springs.

Recheck Contact Clearance,  
Figure 2.

(B) Cam Follower Clearance

Requirement  
Some clearance  
To adjust  
Refine contact adjustments.



Lubrication

One drop oil at spring hinge.  
Grease at point of contact.

FIGURE 3