

Teletype Corporation
Skokie, Illinois, U. S. A.

RTTY ELECTRONICS
TELETYPE=Sales-Service-Parts
PO Box 20101 El Sobrante, Ca.
94820. (510)222-3102
mr_rtty@pacbell.net

Specification 5729S
Issue 4, Page 1
November, 1960

INSTRUCTIONS FOR INSTALLING THE 152910** OR 152300**
MODIFICATION KIT TO PROVIDE A DIRECTORY HOLDER ON
THE TELETYPE TABLE OR FLOOR APPARATUS CABINET
RESPECTIVELY

*The following information pertains to Bell System only.

<u>UNIT</u>	<u>TELETYPE CODE</u>	<u>BELL SYSTEM CODE</u>
Cabinet	LAC200**	
	LAC201**	
	LAC202**	
	LAC203**	28C**, 28E**
	LAC204**	28B**, 28D**
	LAC205**	
	LAAC209**	28G**
	LAAC210**	28F**

1. GENERAL

*a. The 152910** Modification Kit, when installed on a Teletype Table or Floor Cabinet respectively, provides a directory holder to hold the 9" x 11" T. W. X. directory.

b. The double asterisk (**) designates a two letter suffix which indicates the color of the paint finish.

c. The 152910** Modification Kit consists of:

1	152899**	Holder	2	2846	Washer, Flat
1	151574	Grommet, Rubber	2	2449	Washer, Lock
2	152848	Screw 1/4-20 x 3/4	2	108355	Nut

d. The 152300** Modification Kit consists of:

4	3438	Washer, Flat
4	98642	Washer, Lock
1	155088**	Holder

e. For part numbers referred to and for paint finishes available see Teletype Model 28 Printer Parts Bulletin 1149B.

*2. INSTALLATION

151574-GROMMET RUBBER
DELETED

*Indicates Change.

Printed in U. S. A.

NOTE

When an offset copyholder is used with the cabinet, the directory holder mounts on the left side only.

a. 152910** Modification Kit (Figure 1)

Insert the 151574 Grommet into the hole located at the lower part of the 152899** Holder. Mount the 152899** Holder to either side of the cabinet using the first and last of the three 5/16" diameter holes located on the sides of the cabinet. Use the 152848 Screws, 2846 Washers, and 108355 Nuts to secure the 152899** Holder to the cabinet.

b. 152300** Modification Kit (Figure 2)

(1) Tip the cabinet 90° so that the bottom of the cabinet faces the front. Remove the inner set of four nuts (retain) and lock washers (discard) which secure the shock mounts to the cabinet.

(2) Use the four nuts retained and four 3438 Flat Washers and 98642 Lock Washers to mount the 155088** Holder. Push the holder firmly against the side of the cabinet and tighten the nuts. Make certain that the holder is not loose.

(3) Return the cabinet to the normal upright position.

3. ADJUSTMENTS - For adjustment procedure refer to standardized information, for other than Bell System, see Bulletin 217B. Make the following adjustment.

Directory Holder (Table Cabinet)

* * *

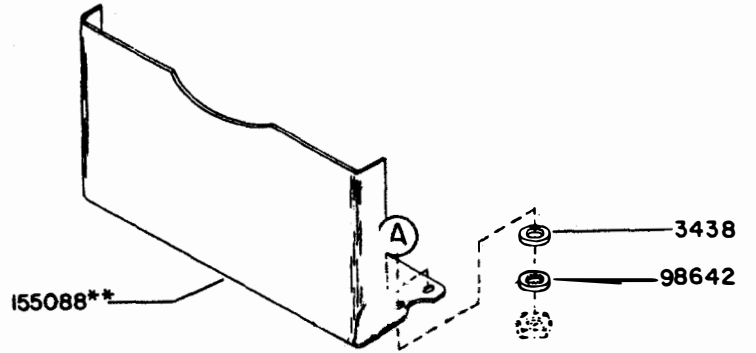
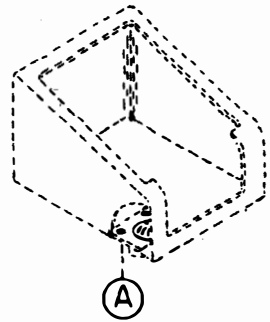


FIGURE 1. 152300** DIRECTORY HOLDER SET OF PARTS

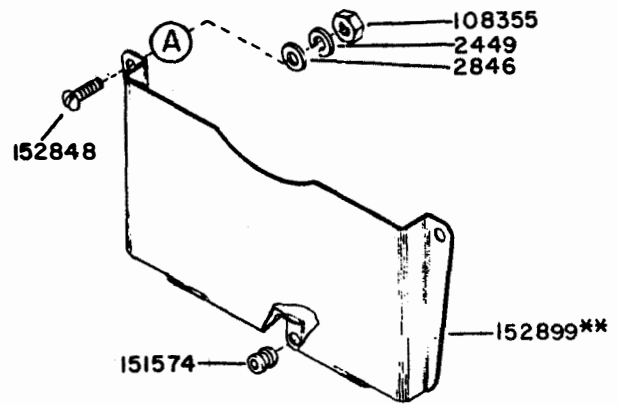
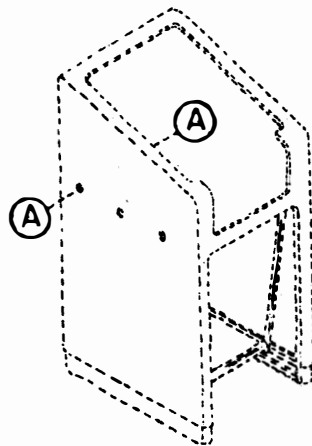


FIGURE 2. 152910** DIRECTORY HOLDER SET OF PARTS