

Teletype Corporation
Skokie, Illinois, U.S.A.

RTTY ELECTRONICS
~~TELETYPE=Sales Service Parts~~
PO Box 20101 El Sobrante, Ca.
94820. (510)222-3102
mr_rtty@pacbell.net

Specification 5850S
*Issue 2, Page 1
January, 1961

INSTRUCTIONS FOR INSTALLING THE 154756 MODIFICATION
KIT ON MODEL 28 LAC** OR LAAC** CABINETS TO PROVIDE
A FORM-OUT ALARM MECHANISM

2-WIRE SWITCH

The chart below pertains to Bell System only.

Teletype Unit	Teletype Code	Bell System Reference	Bell Code
Cabinet	LAC**	Cabinet	28B**, 28C** 28D**, 28E**
Cabinet	LAAC**	Cabinet	28F**, 28G**

1. GENERAL

a. The 154756 Modification Kit when installed on a Model 28 Cabinet LAC** or LAAC** equipped with a 153926 Modification Kit to provide sprocket feed rear paper guide (see Specification 5792S) provides a form-out alarm mechanism that indicates when the last form is being used. The alarm circuitry terminates at the cabinet terminal block from which an alarm device (not furnished with this kit) may be wired.

b. The two asterisks (**) indicate a two letter (two digit for Bell System) suffix for the paint finish.

c. The 154756 Modification Kit consists of:

2	3639	Washer, Lock	2	151632	Screw
2	6810	Screw	1	172749	Bracket
2	112626	Nut	1	172755	Alarm Assem., Form-Out (See 1. d. for parts)

d. The 172755 Form-Out Alarm Assembly consists of:

2	1178	Screw	1	157980	Extension
2	93118	Washer, Lock	1	157981	Bracket
2	110743	Washer, Lock	1	157982	Lever w/Hub
2	119467	Insulator	1	157984	Screw
2	125011	Washer, Flat	1	157985	Switch & Cable Assem.
2	151152	Screw			

e. For part numbers referred to and for parts ordering information see Teletype Model 28 Parts Bulletins 1149B and 1169B.

*Indicates general revision.

Printed in U.S.A.

2. INSTALLATION (Figure 1)

NOTE

References made to left or right, up or down, front or rear apply to the unit in its normal operating position as viewed from the front.

a. Installation Into Cabinet LAC** having 60 volt copy lamps or 6 volt copy lamps with the transformer mounted on the right dome hinge.

(1) Mount the 172755 Form-Out Assembly to the two vacant holes in the left dome hinge with two 6810 Screws and 3639 Lock Washers.

NOTE

The 112626 Nuts, 151632 Screws, and 172749 Bracket are not used when the 154756 Modification Kit is installed in the LAC** Cabinet.

b. Installation into Cabinet LAC** having fluorescent or 6 volt lighting systems with the ballast or transformer mounted on the left hinge.

(1) Mount the 172755 Form-Out Alarm Assembly between the console hinge and the bracket supporting the ballast or transformer.

c. Installation Into the LAAC** Cabinet

(1) Remove and discard the two 8543 Screws from the extreme left end of the dome hinge (above the printer), retaining the two 7002 Flat Washers and the two 2191 Lock Washers.

(2) Install the 172749 Bracket with two 151632 Screws, two 7002 Flat Washers and 2191 Lock Washers utilizing the mounting holes made available in (1) above.

(3) Install the 172755 Form-Out Alarm Assembly on the 172749 Bracket using two 6810 Screws, two 3639 Lock Washers and two 112626 Nuts.

(4) Route the cable over the dome hinge or 172749 Bracket and along the wires located above the cabinet terminal block. Tie the cable to the wire at intervals.

(5) Attach the white and brown lead to terminal 26 of the cabinet terminal block and the white and purple lead to terminal 25.

(6) Close cabinet dome and open small door. Check that the sensing arm moves freely between the typing unit and cabinet paper guides. Adjust the

arm by loosening the two 151152 Screws. The 172749 Bracket is slotted for left or right or up or down adjustment.

NOTE

The arm should clear both the typing unit and the paper tray when the dome is opened. See Paragraphs 3.b.(1), (2), and (3).

(7) The 154756 Modification Kit is so wired that the switch contacts close when the paper supply is exhausted. For reverse operation, unsolder the white-brown lead and solder to the unoccupied switch lug.

3. ADJUSTMENTS AND LUBRICATION

a. For standard adjustments and lubrication refer to appropriate standardized instructions.

b. With the LAAC** Cabinet make the following adjustments to the tip of the form-out lever.

(1) Adjust to the left or right by loosening the two 151632 Screws mounting the 172749 Bracket to the dome hinge. Tighten the screws after adjustment.

(2) Adjust up or down by loosening the two 6810 Screws mounting the 172755 Form-Out Alarm Assembly to the 172749 Bracket. Tighten the screws after adjustment.

(3) Adjust forward or backward by loosening the 151152 Screws mounting the 157980 Extension to the 157982 Lever. Tighten the screws after adjustment.

c. In the LAAC** Cabinet lubricate the 154756 Modification Kit as follows:

(1) Two drops of oil at the sensing lever pivot.

(2) Thin film of grease on the sensing lever where it contacts the switch plunger.

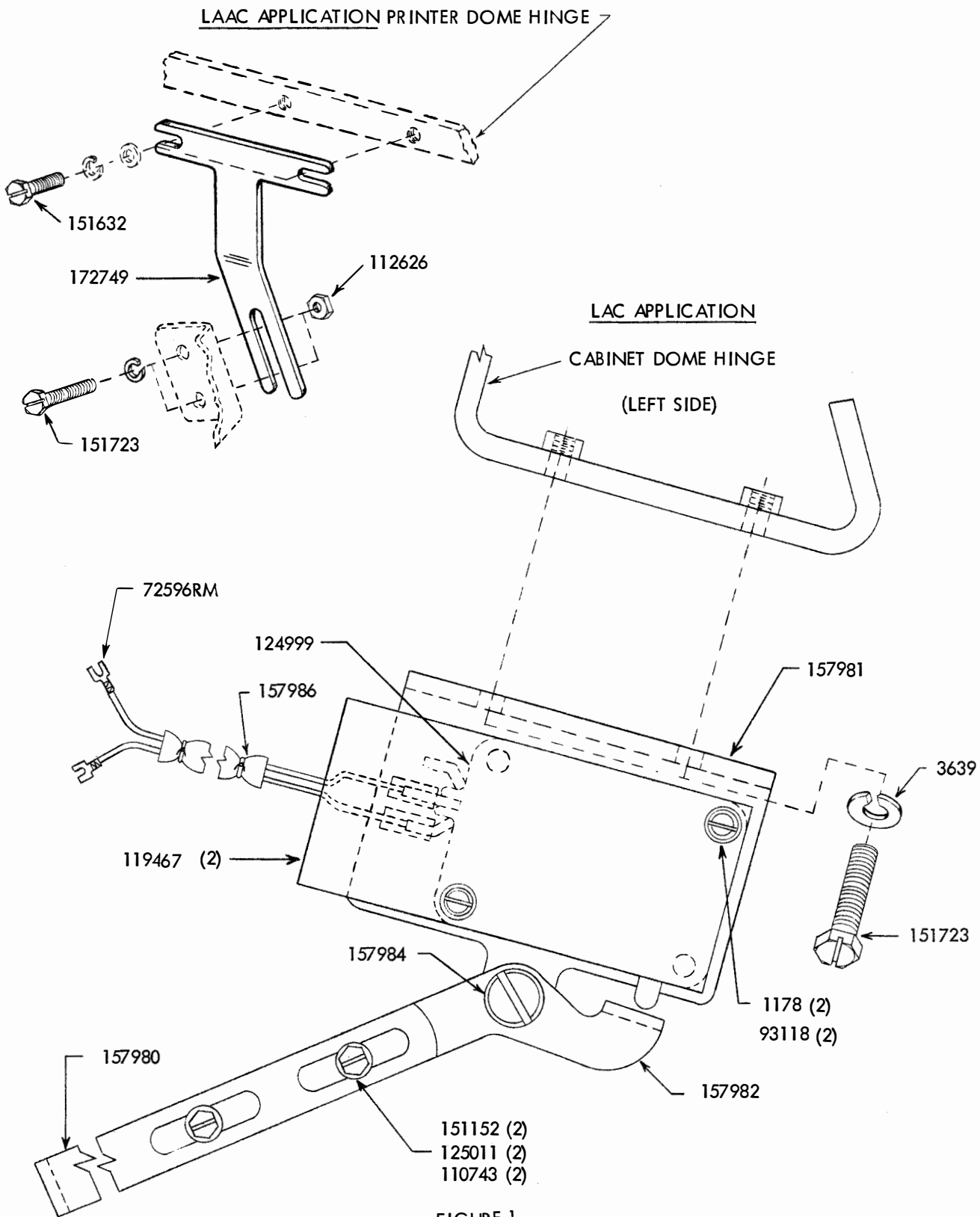


FIGURE 1.
FORM-OUT ALARM MECHANISM

ADDENDUM TO SPECIFICATION 5850S, ISSUE 2, DATED
JANUARY, 1961 COVERING KIT 154756

1. Make the following changes:
 - a. Page 1, Paragraph 1.c. - Change 6810 Screw to 151723 Screw.
 - b. Page 2, Paragraph 2.a.(1) - Change 6810 Screws to 151723 Screws.
 - c. Page 2, Paragraph 2.c.(3) - Change 6810 Screws to 151723 Screws.

* * *

RTTY ELECTRONICS
TELETYPE=~~Sales-Service-Parts~~
PO Box 20101 El Sobrante, Ca.
94820. (510)222-3102
mr_rtty@pacbell.net

Printed in U.S.A.