

SERVICE MANUAL
FOR CP45.035 PAPER EXIT
MODIFICATION KIT

RTTY ELECTRONICS
TELETYPE=Sales-Service-Parts
PO Box 20101 El Sobrante, Ca.
94820. (510)222-3102
mr_rtty@pacbell.net

TELETYPE CORPORATION

**Part 1 - Description and Operational Notes****A. Description**

1. The CP45.035 Modification Kit provides a Top Paper Exit for Model 45 series 700 cabinets.
2. Essentially, the Mod Kit consists of a slotted replacement copy-glass, and a wire formed paper guide for the cabinet top. The paper guide is required to overcome the electrostatic attraction between paper and cabinet, especially in low humidity environments, such as 20% R.H. or less.
3. Users of this Custom Product should be forewarned that an increase in noise level from the Model 45 Terminal will occur. The use of an external paper exit defeats, to an extent, the quiet feature of the series 700 cabinet. Teletype Custom Systems Division can provide no data regarding the extent of the noise level increase.
4. Installation Requires the use of a 1/4 and 5/16 inch nut drivers and an electric drill with a No. 36 bit (.106 Dia. Hole). A single hole is required in the rear of the cabinet for the purpose of attaching a ground lug.

B. Operational Notes

1. Ample clearance behind the cabinet should be provided if paper is to be accumulated. A suitable container, such as a wire basket, should be provided for accumulated paper.
2. Under low humidity conditions, the accumulated paper should be kept at a distance from objects such as wall and other cabinets, since the electrostatic attraction between paper and foreign objects hinders paper stacking.
3. The user should relocate the TP452748 static eliminator strip, now located inside the cabinet above the printer. This strip should be attached to the paper guide provided, according to the installation instructions. Use of the static eliminator with this Mod Kit will enhance the handling of single ply paper.

**Part 2 - Installation****Reference: Cabinet Service Manual 457****A. Remove the existing copyglass - Figure 1**

1. Open and latch the cabinet cover to its uppermost position.
2. Remove and discard the two nuts and washers which fasten the TP452663 Paper Deflector to the cover.
3. Remove and discard the deflector.
4. Remove and retain the three nuts on each of the two TP452628 window clamps. Remove and retain the clamps.
5. **CAUTION:** The seven nuts which retain the long TP452669 window clamp also fasten the TP453348 cover hinge to the cover. Do not remove the clamp, but remove and retain the seven nuts. It is not necessary to remove the clamp, and to do so, may cause the cover to become unstable and fall.
6. Slide the copyglass upward, and at the same time, lift the bottom edge up slowly against the clamp. Force the window clamp up only as far as necessary to remove the glass.
7. Discard the copyglass.

B. Install the CP45.035.002 Paper Exit - Figure 1

1. The paper exit will be installed such that long edge closest to the slot is down.
2. Slide the upper edge into the cabinet cover retaining channel. Again use caution, and lift the TP452660 window clamp only as far as necessary to install the paper exit.
3. Bias the paper exit down and to the right.
4. Reinstall the two TP452628 window clamps on the sides of the paper exit. Position the paper exit as necessary so it will be secure. Retain the clamps with the original six nuts.
5. Reinstall the original seven nuts on the TP452669 lower window clamp.
6. Check the paper exit installation. Close the cabinet cover, turn power on and feed paper through the paper exit slot. Check that there is at least 3/8 inch clearance between the right edge of the paper and the end of the paper slot.

**B. (Continued)**

7. If clearance is not sufficient, open the cover and move the paper to the left, by repositioning the printer tractors to left. Reference: Printer Shop Manual 355.

C. Install the CP45.035.007 Wire Paper Guide Assembly - Figure 2 and 3

1. Establish the mounting position of the guide assembly. Lay the guide on top of the cabinet, such that the paper slot is approximately centered between the sides of the guide.
2. Two TP341711 plastic clamps, with adhesive backing, will be used both to mount the guide assembly and also limit side to side travel of the guide. Two spare clamps are provided for customer convenience.
3. The clamps will attach to the rear of the cabinet just below the top, so check that this area is clean, free from dirt and grease.
4. Spot the mounting position of the clamps before removing the paper to expose the adhesive. The clamps will attach immediately below the cabinet top and about 1/4 inch from the left and right sides of the guide assembly. See Figure 3.
5. Remove the protective backing and attach the clamps.
6. Snap the rear of the paper guide into the clamps.

D. Attach the Ground Lug to the Cabinet - Figure 3

1. As you face the rear of the cabinet, mark a position on the cabinet back, approximately 4 inches from the top and one inch to the right of the left side trim molding.
2. Drill a .106 Dia Hole (No. 36 drill) at this mark.
3. Sandwich the TP180904 terminal lug between two TP107116 starwashers. Fasten to the cabinet with the TP180714 No. 6 self-tapping screw.

E. Relocate the existing Static Neutralizer - Figure 4

1. A TP452748 Static Neutralizer Bar is presently located inside the cabinet directly above the printer. The customer should relocate this part to the wire paper guide assembly now mounted on top of the cabinet.
2. It is not necessary to remove the printer. Open the cabinet cover and latch it to its uppermost position.
3. Loosen the two clamps on either side of the static eliminator, which mount the eliminator to the TP452606 wire paper guide.
4. Manuever the eliminator off of the paper guide.
5. Reinstall the eliminator on the CP45.035.007 paper guide. Position the eliminator loosely across the guide, under the "v" shaped paper hold-down and just behind the feet of the plastic runners.
6. Feed printer paper through the paper guide so its path is over the static eliminator bristles and under the hold-down. Move the eliminator forward to contact the paper as much as possible, without causing a paper jam. Tighten the eliminator clamps on each side, when positioning appears satisfactory.
7. Installation should now be complete.

Part 3 - Maintenance

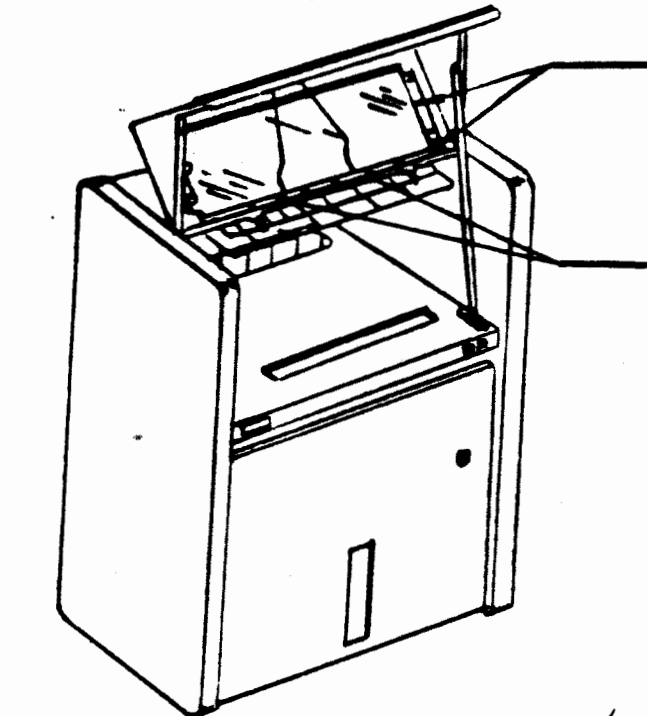
A. Cleaning

1. The surface of the plastic paper exit can be cleaned with soap and water, or ammonia-based cleansers, and wiped with facial tissue.
2. Do not use scouring powders or abrasive cloth of any kind on the surface. Strong solvents will damage the surface.

B. Parts List

<u>Part No.</u>	<u>Description</u>	<u>Qty.</u>
CP45.035.002	Window, Paper exit	1
TP341711	Plastic Clamp	4
TP180904	Ground Lug	1
TP107116	Starwasher	2
TP180714	Self-Tap No. 6 x 3/8 screw	1
CP45.035.007	Paper Guide Assembly	1
	Consisting of:	
TP407061	Paper Guide	1
CP45.035.003	Runner, Right	1
CP45.035.004	Runner, Left	1
TP328633	Clamp, Metal	1
TP151632	Screw 6-40 x 3/8 Hex	1
TP405027	Lead with terminal	1
TP151610	Flat Washer	2
TP72509	Lock Washer	1
TP3598	Nut 6-40 Hex	1

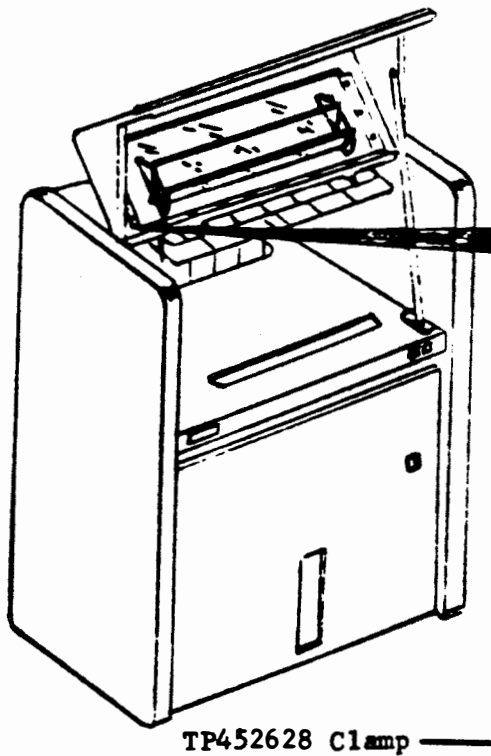
Figure 1



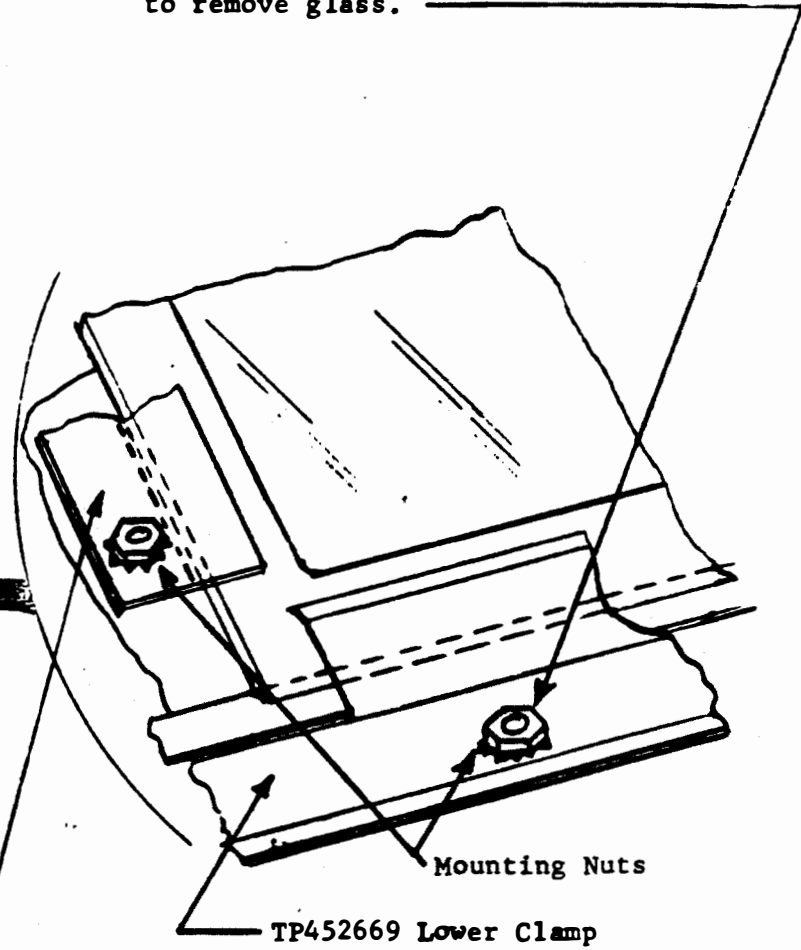
Remove and retain the two side TP452628 Window Clamps and the six nuts.

Remove and discard the two nuts, washers, and 452663 paper deflector.

Remove the seven nuts from the lower TP452669 Window Clamp. Do not remove clamp - see Page 2 of instructions to remove glass.



TP452628 Clamp



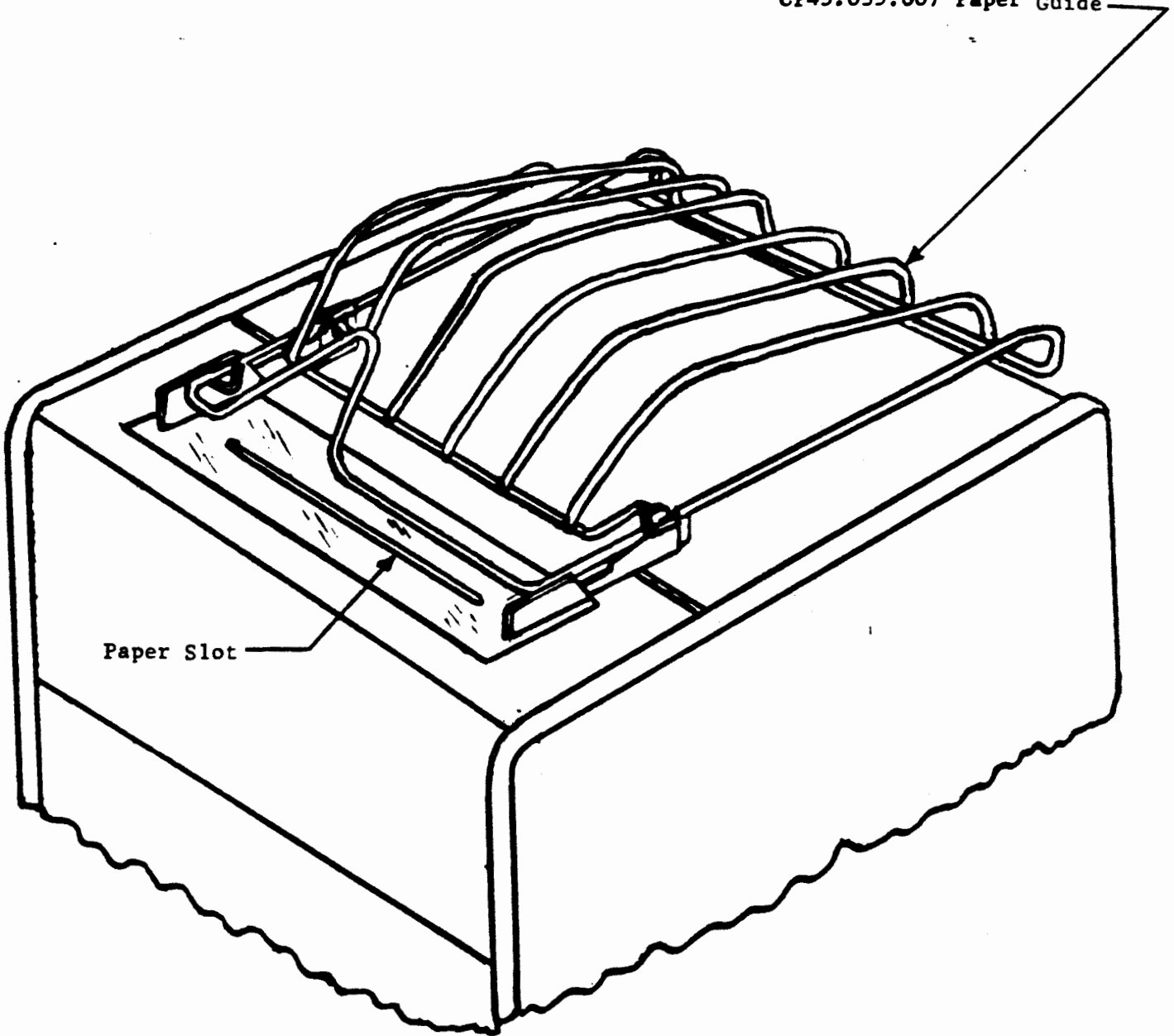
Mounting Nuts

TP452669 Lower Clamp

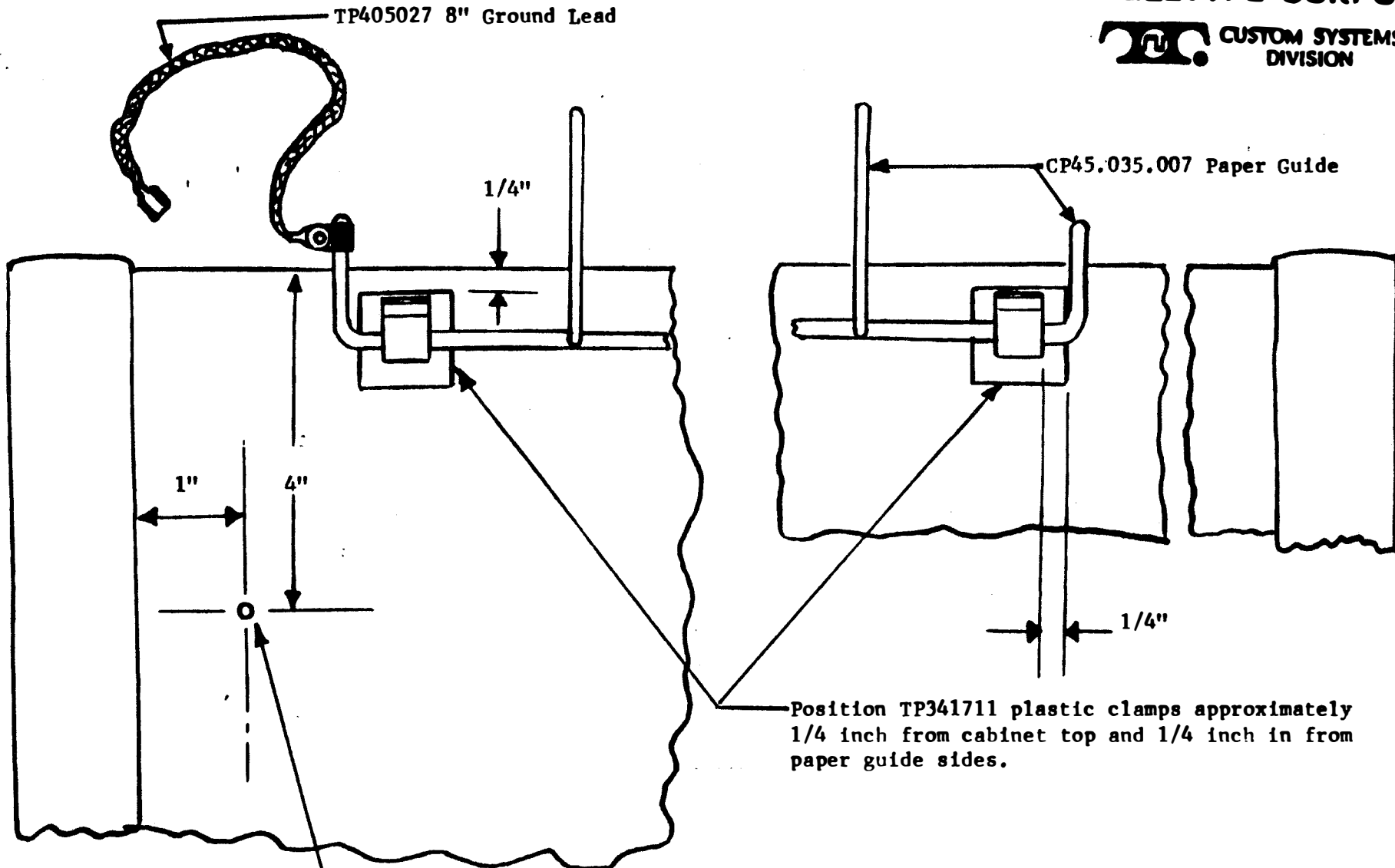
Install paper exit according to Page 2 of instructions.

Figure 2

CP45.035.007 Paper Guide



Lay paper guide on top of cabinet and center guide over paper slot, before attaching retainer clamps to rear of cabinet according to Figure 3.



TP405027 8" Ground Lead

CP45.035.007 Paper Guide

1/4"

1"

4"

1/4"

Position TP341711 plastic clamps approximately 1/4 inch from cabinet top and 1/4 inch in from paper guide sides.

Drill .106 Dia Hole in approx. position shown (No. 36 Drill)

Attach TP180904 Ground Lug using two TP107116 starwashers and TP180714 self-tapping screw.



Figure 3
Partial view of cabinet
Rear, Upper portion.

Figure 4

TP452748 Static Eliminator (Part of
Cabinet, not part of Mod Kit)

