

SINGLE-CONTACT

TAPE READER

(TYPE LX D TRANSMITTER-DISTRIBUTOR)




Provides CONTINUOUS TAPE TRANSMISSION WITH

NEW { SPEED
DEPENDABILITY
VERSATILITY
ECONOMY

FOR CROSS-OFFICE OR CROSS-COUNTRY APPLICATIONS

TELETYPE CORPORATION



TELETYPE MODEL 28 LXD

TRANSMITTER-DISTRIBUTOR

a versatile, high capacity 5 or 6 level TAPE READER engineered for dependable operation at 100 words per minute . . .

For speed, dependability and economy in transmitting messages and other data punched into your business machine tapes—Teletype offers the all-new MODEL 28 LXD TAPE READER!

This high capacity unit is specifically engineered to meet your tape transmission requirements.

Five- or six-level code combinations, in chadless or fully perforated tape, are automatically converted into electrical impulses. These accurately timed signals, in standard Baudot code, are transmitted sequentially (serially) over a single telegraph channel to local or remote receiving stations.

For use with equipment in data processing and automated control systems requiring parallel-wire (simultaneous) input, the versatile Model 28 LXD can be equipped with code reading contacts. This optional feature provides the signal output needed for such applications. The Model 28 LXD can be actuated either locally or from a remote source.

Advanced M28 design-features equip the unit for dependable operation at 100 words per minute (gears for lower speeds are available). Long-life, M28 all-metal clutches are used to maintain higher speed performance, cycle-after-cycle. These internal expansion type clutches not only add longer life to the unit, but also minimize the necessity for lubrication and maintenance.

Thus, whether the need is for cross-office or cross-country application, this new Teletype Model 28 LXD tape reader will enable you to utilize more fully your transmission lines and associated facilities.

Typical applications FOR MODEL 28 LXD

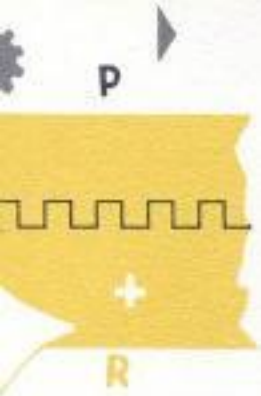
Reads tape and transmits code signals:

- to a teleprinter for preparation of page copy
- to a remote tape reperfector for preparation of tapes
- to a communication switching center for retransmission to other points
- to computers and business machines with sequential signal input facilities
- to automated factory equipment
- to automatic typesetting and addressing equipment installations

Important

TELETYPE F

- ★ A self contained tape reader
- ★ Reads either chadless or tape.
- ★ Models to accommodate . . .
- ★ Single-contact signal generator output.
- ★ Optional code reading contacts for parallel-wire (simultaneous) output.
- ★ Compatible with existing communications equipment.
- ★ Speed capability enabling use of long transmission lines and remote stations.
- ★ Free floating base to minimize vibration.
- ★ Reliability during extended operation.
- ★ Lubrication maintenance-free for up to 12 months to a full year.
- ★ Oil-pan type sub-base to prevent oil leakage.
- ★ Utilizes latest Teletype Corporation design.
- ★ Compact in size and light weight.
- ★ Attractively styled to blend with other office equipment.



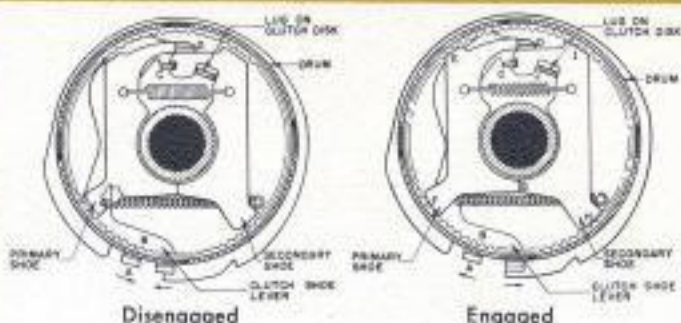
FEATURES

er unit.
 fully perforated
 or 6 level tapes.
 rator for sequen-
 contacts for paral-
 out.
 telegraphic com-
 fuller utilization
 facilities.
 minimize noise or
 d operation.
 e interval of 6
 catch excess oil.
 28 components.
 in weight.
 d with any office




SINGLE-CONTACT SIGNAL GENERATOR

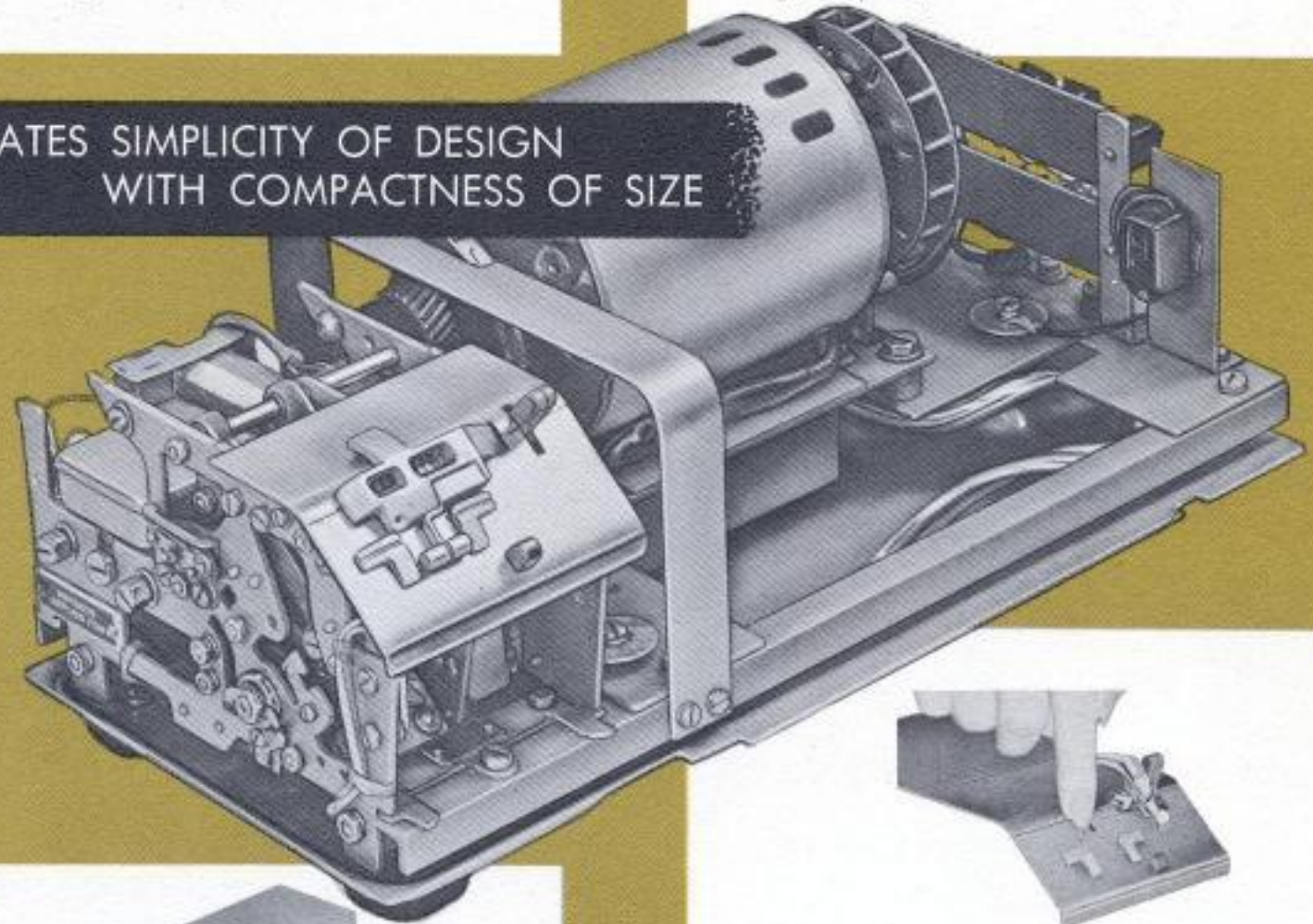
The electro-mechanical signal generator of advanced single-contact design, automatically translates mechanical code combinations into electrical signals for transmission. It is encased in a metal box for added protection against dust and oil, and as a shield against causing radio interference.



ALL-METAL CLUTCH

An internal expansion type all-metal clutch assures firm engagement cycle-after-cycle and eliminates the wear and constant need for lubrication associated with conventional felt clutches. This special clutch also enables operation with precision accuracy where character-by-character tape feed pulsing is required.

INCORPORATES SIMPLICITY OF DESIGN WITH COMPACTNESS OF SIZE




MANUAL CONTROLS

A 3-position, manually operated lever provides "start," "stop" and "freewheeling" control of tape. "Freewheeling" enables insertion of tape without lifting the tape lid. However, the tape lid is hinged and may be released for cleaning or special applications such as the insertion of continuous-loop tape. Index lines provide visual aid for accurately positioning the start of message.




AUTOMATIC CONTROLS

A "tape out" switch is provided to stop transmission automatically at end of tape. A "taut tape" switch stops transmission when tape slack is taken up between sender unit and associated apparatus. This feature also keeps tape flat and under proper tension.

SPECIFICATIONS

DIMENSIONS: Height 7", Width 7½", Depth 14½".
APPROXIMATE WEIGHTS: Net - including cover, 26½ lbs. Domestic shipping weight—40 lbs. Export shipping weight—100 lbs.
POWER REQUIREMENTS: Standard M28 synchronous motor unit, 65 Watts, 115 Volts, regulated 60 Cy. A.C. Optional motors are available for other power requirements. Universal clutch magnets (A.C. or D.C.). D.C. power is required for signal line.
FINISHES: Available in attractive gray-green wrinkle or other finishes to blend with modern or traditional office decor.



HEAVY DUTY MOTOR

The M28 motor in this unit is of special design to meet the exacting power requirements for continuous operation featured in the Model 28 Line of equipment. It has oversized bearings, rubber mounts and is self-cooled for quiet, dependable and trouble-free operation.



A versatile new line of transmission equipment designed to add speed, flexibility and economy to your communications capacities.

TELETYPE CORPORATION'S new Model 28 Line of equipment offers a wide variety of facilities for . . .

PAGE PRINTING
TAPE PUNCHING
TAPE READING

. . . in combinations to meet your individual applications requirements.

The 28 Line is a product of Teletype Corporation and reflects more-than-fifty years of continuous manufacturing experience in furnishing communications and data processing equipment for business, industry and the military.

For additional information on how Teletype equipment can solve your communications needs, please phone, write or wire the address below most convenient to you.



Send-Receive Page Printer



Typing Tape Punch



Multi-Contact Tape Reader



Automatic Send-Receive Set
(A Composite Unit)

TELETYPE[®]
CORPORATION
SUBSIDIARY OF *Western Electric Company* INC.

CHICAGO
4100 FULLERTON AVE.
CHICAGO 39, ILLINOIS
SPAULDING 2-1040
*TWX NO. CG-105
W. U. SERVICE ON
PREMISES.

NEW YORK
7 DEY STREET
NEW YORK 7, N. Y.
RECTOR 2-5651
*TWX NO. NY 1-1685

WASHINGTON
425 13TH STREET, N.W.
WASHINGTON 4, D. C.
METROPOLITAN 8-1016
*TWX NO. WA-292

Unattended Service at these offices permits receipt of incoming communications after office hours.