



PARALLEL WIRE HIGH SPEED

TAPE READER

TYPE CX

TELETYPE[®]
CORPORATION • SUBSIDIARY OF *Western Electric Company* INC.

MESSAGE AND DATA

Here is a 100-character-per-second, synchronous tape reader built for peak performance and reliability. It is a precision instrument designed to accommodate the ever-changing needs of business in the field of message and data communications, and serves as a "dual-duty" mechanism in a wide number of data handling applications.

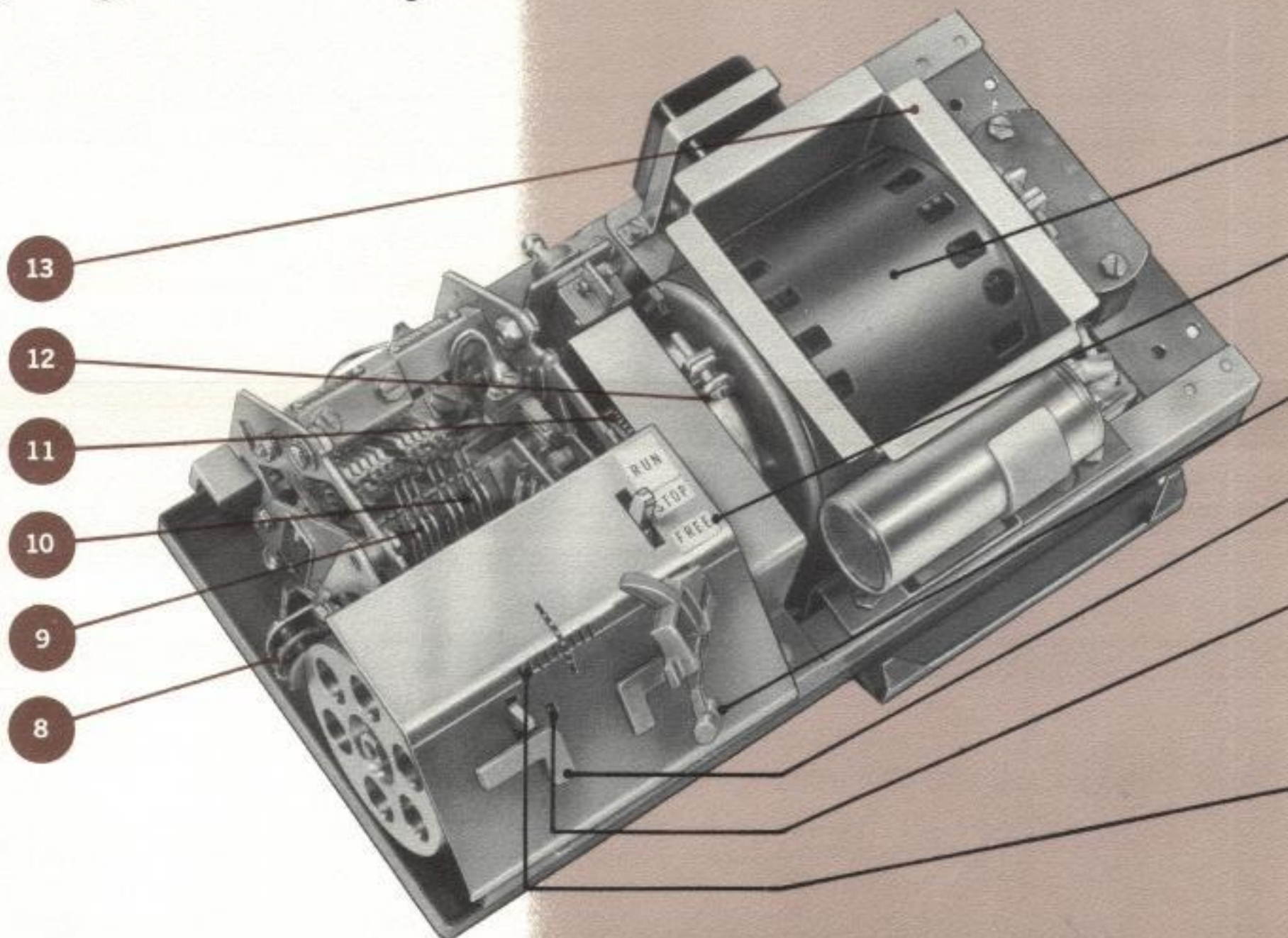
The CX reader speeds the processing of data, which has been collected from slower speed equipment, by relaying the information at 1000 words per minute.

Data stored in punched tape is sent over long distances via high-speed, tape-to-tape systems, automatically and accurately.

This new Teletype reader is used at the sending terminal of these systems where punched tape message and data information is "read out" in the form of parallel-wire, electrical pulses. These pulses, in turn, may be converted externally to sequential signals by Teletype electronic storage and conversion equipment. With these facilities, and additional terminal equipment, the CX can be used for transmission over conventional telephone channels.

The CX reader is capable of interoperating with transistorized or vacuum tube external circuits.

fulfills today's... and tomorrow's needs



COMMUNICATIONS APPLICATIONS

COMPUTER AND BUSINESS MACHINE APPLICATIONS

The new set also is a high-speed input device for computers and business machines, feeding synchronized data into these systems instantaneously.

SHUNS OBSOLESCENCE The CX is capable of reading 5, 6, 7, or 8 level codes punched in either fully perforated or chadless tapes, making it an instrument that will handle today's requirements, yet allow for future refinement of a communications system.

RUGGED—ECONOMICAL Expensive downtime for maintenance is almost non-existent in the CX with traditional Teletype heavy-duty components.

ACCURATE SYNCHRONIZATION To actuate control circuits, the CX reader is equipped with a pulse generator which has a timing cycle that is adjustable throughout 360 degrees. This synchronizing pulse controls accurate timing of code intelligence to asso-

ciated equipment. The unit also is equipped with a pair of auxiliary contacts for controlling computers, buffer storage units, high-speed business machines, and other electronic register elements.

MINIMUM MAINTENANCE Extended lubrication intervals, precision-machined parts, sturdy nylon drive gears and rubber motor mounts permit quieter operation and longer unit life.

COMPACT—LIGHTWEIGHT Compact design and a colorful range of cabinet colors make the CX adaptable to many types of installations and office decors. The entire unit weighs only 12 lbs. and measures 5 inches high, 6 inches wide and 11 inches deep.

Discover how your communications system can benefit from this new tape reader by writing, or calling Teletype Corporation at the address listed on page four of this brochure.

1 MOTOR UNIT

Rugged, dependable motor with automatic thermal overload protection drives the CX.

2 FREEWHEELING POSITION

Freewheeling position on start-stop lever permits manual insertion of tape or tape movement without having to lift the tape lid.

3 TIGHT-TAPE MECHANISM

Tight-tape mechanism causes the CX to cease reading until tape has slackened.

4 ADJUSTABLE TAPE GUIDES

Adjustable tape guides can be positioned to accommodate tapes from 11/16 to one inch wide.

5 TAPE-OUT SWITCH

Tape-out switch automatically stops reader operation at end of tape.

6 OPERATING MAGNET (UNDERSIDE)

Tape feeding can be stopped or started instantaneously by quick-acting operating magnet.

7 MULTILEVEL READING

Addition or removal of tape sensing pins and simple adjustment of tape guides adapts the CX reader to 5, 6, 7, or 8 level codes punched in fully perforated or chadless tapes.

8 PULSE GENERATOR

Reader is equipped with a 360-degree adjustable pulse generator to accurately synchronize intelligence to associated equipment.

9 CODE CONTACTS

Code contacts which operate integrally with the tape sensing pins "read out" information over a parallel-wire signal path.

10 AUXILIARY CONTACTS

An extra pair of auxiliary contacts which open and close with each revolution of the mainshaft can be used to control computers, buffer storage units, business machines, etc.

11 NYLON DRIVE GEARS

Strong, long wearing nylon drive gears permit smooth, quiet operation and little attention.

12 RUBBER MOTOR MOUNTS

Vibration-absorbent rubber mounts at each end of the motor prolong the life of the unit, allow quieter operation.

13 HEAT BAFFLE

A special baffle, surrounding the synchronous motor, dissipates heat.

**THE OTHER HALF
OF A "PERFECT PAIR"**

For a "matched set" and a more dependable, efficient tape system, investigate the advantages of the BRPE tape punch, a perfect mate for the CX tape reader.

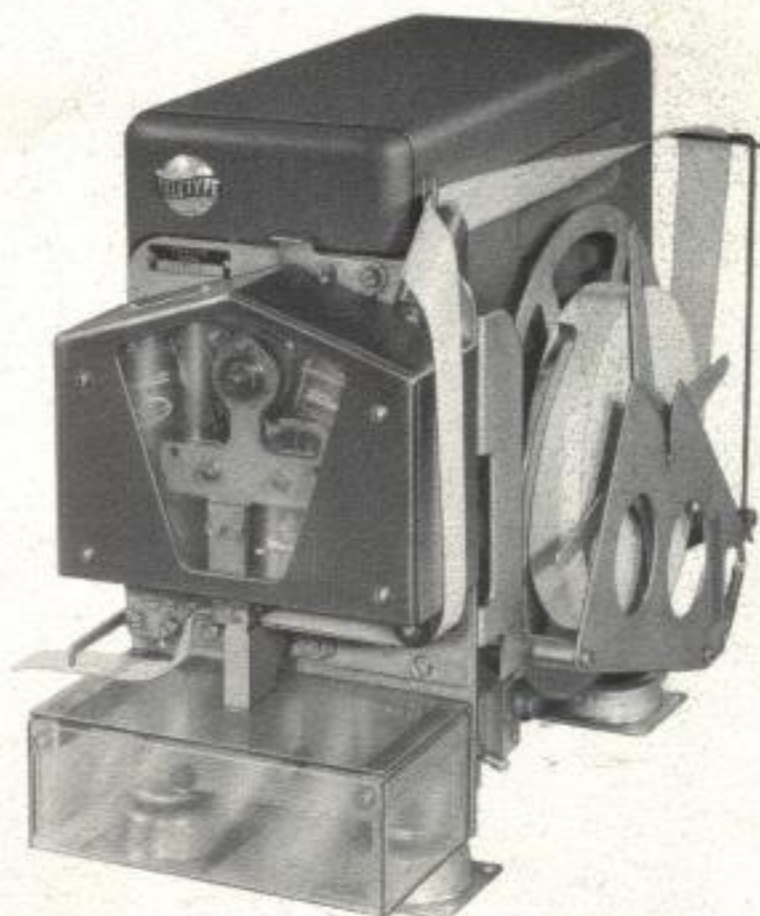
This new Teletype tape punch can be used at the receiving terminals of message and data communications circuits, as in high-speed, tape-to-tape systems. Data in these systems may be transmitted over conventional telephone channels equipped with external storage and conversion facilities.

The BRPE fully perforates 5, 6, 7, or 8 level codes, functions on a parallel-wire signal path and is capable of interoperating with transistorized or vacuum tube external circuits.

Used as an output device in computer and business machine communications, the BRPE's tape output can be relayed by the CX reader at 1000 words per minute.

A pulse generator, adjustable through 360 degrees, triggers external equipment and provides optimum synchronization of intelligence to the BRPE tape punch.

The set measures 12 inches high, 8 inches wide and 16½ inches deep, and weighs 28 lbs.



WRITE TODAY FOR DESCRIPTIVE LITERATURE. ADDRESS BELOW.



**AUTOMATIC
SEND-RECEIVE SET**

**SEND-RECEIVE
PAGE PRINTER**

**RECEIVE ONLY
PAGE PRINTER**



Teletype Corporation's Model 28 line of equipment has been engineered to serve the evergrowing field of message and data communications. It offers complete facilities for page printing, tape punching and tape reading. The Automatic Send-Receive Set is a composite unit which combines all the above facilities into a complete message center requiring less floor space than an average desk. The Model 28 line is designed for speed, versatility and economy, and holds the answer to many of your communications problems. Our engineers are at your service, of course at no obligation to you. Write or call, address below.

TELETYPE[®]
CORPORATION • SUBSIDIARY OF *Western Electric Company* INC.

GENERAL OFFICES

5555 Touhy Avenue, Skokie, Ill.
Phones: ORchard 6-1000, Skokie
CORnelia 7-6700, Chicago
Direct Distance Dialing
Area Code 312

GOVERNMENT LIAISON OFFICE

425 13th Street, N.W.
Washington 4, D.C.
Phone: METropolitan 8-1016

TWX: SKOK 3454
(After hours unattended service)
W.U. Service on Premises