

INSTRUCTIONS FOR INSTALLING THE 176300 (FOR LAAC209\*\*,  
LAAC210\*\*) OR 178838 (LAAC206\*\*) MODIFICATION KIT TO  
PROVIDE A POWER SWITCH ON THE MODEL 28 ASR CABINET  
FOR THE AUXILIARY TYPING REPERFORATOR MOTOR

The following chart pertains to Bell System only:      \*The following chart pertains to Navy only:

| Unit    | Teletype Code | Bell System Code | Teletype No. | Navy No. | Federal Stock No. |
|---------|---------------|------------------|--------------|----------|-------------------|
| Cabinet | LAAC209**     | 28G              | 178838       | MK-794/  | F5815-015-3482    |
|         | LAAC210**     | 28F              |              | UGC-6    |                   |

## 1. GENERAL

a. The 176300 (for LAAC209\*\*, LAAC210\*\*) or 178838 (for LAAC206\*\*) Modification Kit when installed in a Model 28 ASR Cabinet provides a control panel mounted power switch for the auxiliary typing reperforator motor in place of the switch mounted on the reperforator base. The 178838 Modification Kit also includes a tape feed-out switch and cable.

b. The 176300 or 178838 Modification Kit consists of:

|   |        |                    | 176300 | 178838 |
|---|--------|--------------------|--------|--------|
| 1 | 120175 | Plate, Instruction | X      | X      |
| 1 | 162899 | Cable Assembly     |        | X      |
| 1 | 176301 | Panel, Control     | X      |        |
| 1 | 176302 | Cable Assembly     | X      | X      |
| 1 | 176303 | Cable Assembly     | X      | X      |
| 1 | 178837 | Panel, Control     |        | X      |

## 2. INSTALLATION

a. 176300 Modification Kit (Figures 1, 2 and 3)

(1) Remove the three nuts, lock washers and flat washers which hold the blank panel to the cabinet. Remove and discard the blank panel.

(2) Mount the 176301 Control Panel in the long channel at the top of the control panel cut out, and over the screw studs below the cut out.

(3) Secure the 176301 Control Panel to the cabinet using flat washers, lock washers and nuts previously removed.

(4) Mount the 155023 Switch and the 120175 Instruction Plate in the hole provided in the control panel so that the threads are not visible on the outside of the control panel. Take care so as not to mar the nut or panel.

(5) Extend the 176303 Cable from the 155023 Switch to the left of the cabinet dome and secure to cross members at front and rear of dome with #6 lacing twine.

(6) Remove (DF) Power Switch from its mounting bracket on the reperformer base. Remove the two leads from the switch and splice to the 176302 Cable, as shown in Figure 2. Discard the switch.

(7) Connect the plug and receptacle to complete the circuit between the control panel switch and the reperformer motor circuit.

b. 178838 Modification Kit (Figures 1A, 2)

(1) Turn off power.

(2) Remove tape holding panel assembly from the Reperformer Base.

(3) Follow procedure in Paragraph 2.a.(6).

(4) If no tape feed-out switch is present, install the 162899 Cable Assembly (tie to existing cable) between the control panel and reperformer base terminals DG6 and DG7; if present, discard the 162899 Cable Assembly.

(5) Remove tape feed-out switch (if present) from the control panel of the cabinet.

(6) Remove and discard the existing control panel on the cabinet. Install the 178837 Control Panel on the cabinet.

(7) Reinstall the tape feed-out switch if removed in Paragraph 2.b.(5).

(8) Follow procedure in Paragraph 2.a.(4) and (5).

(9) Reinstall the tape holding panel assembly.

(10) Follow procedure in Paragraph 2.a.(7).

\*

\*

\*

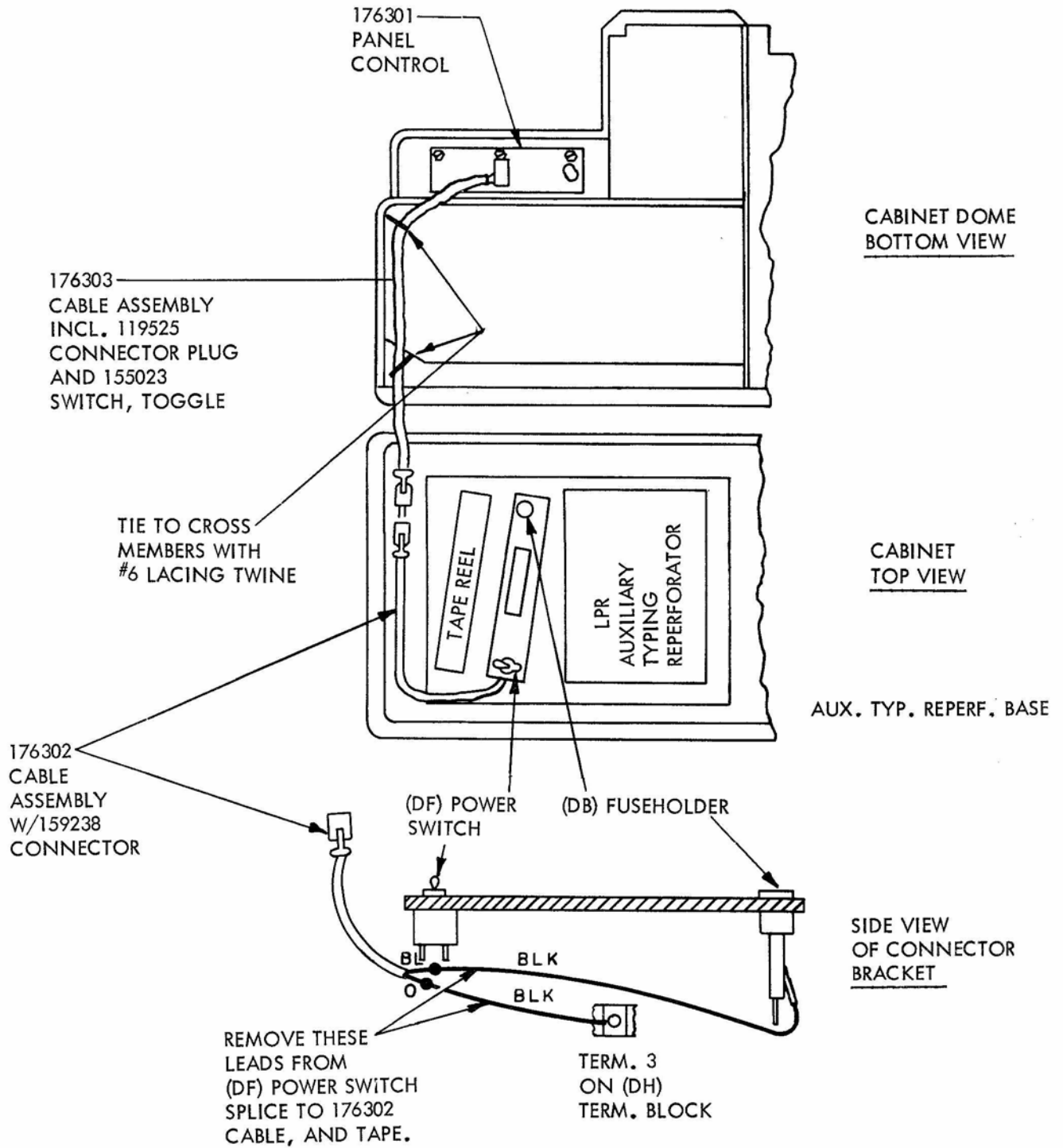


FIGURE 1

50044S

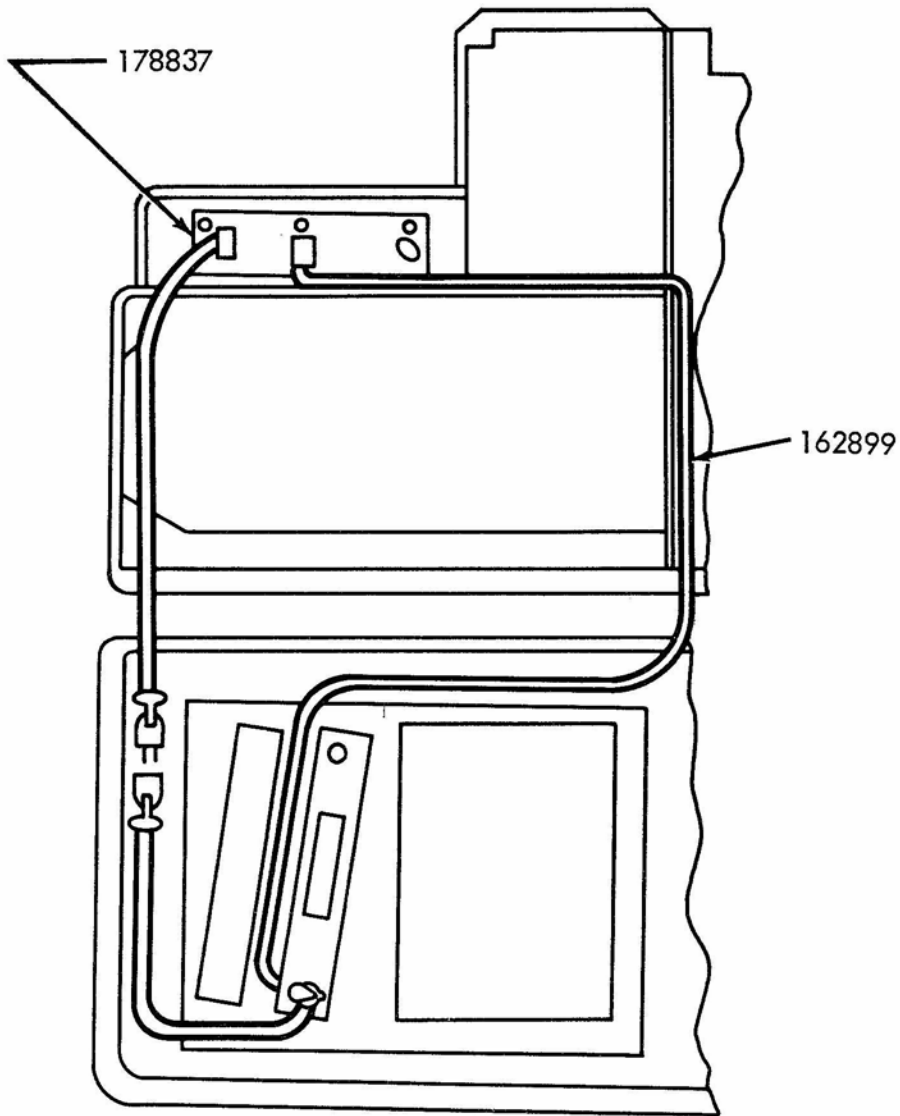


FIGURE 1A  
(ALSO SEE FIGURE 1)

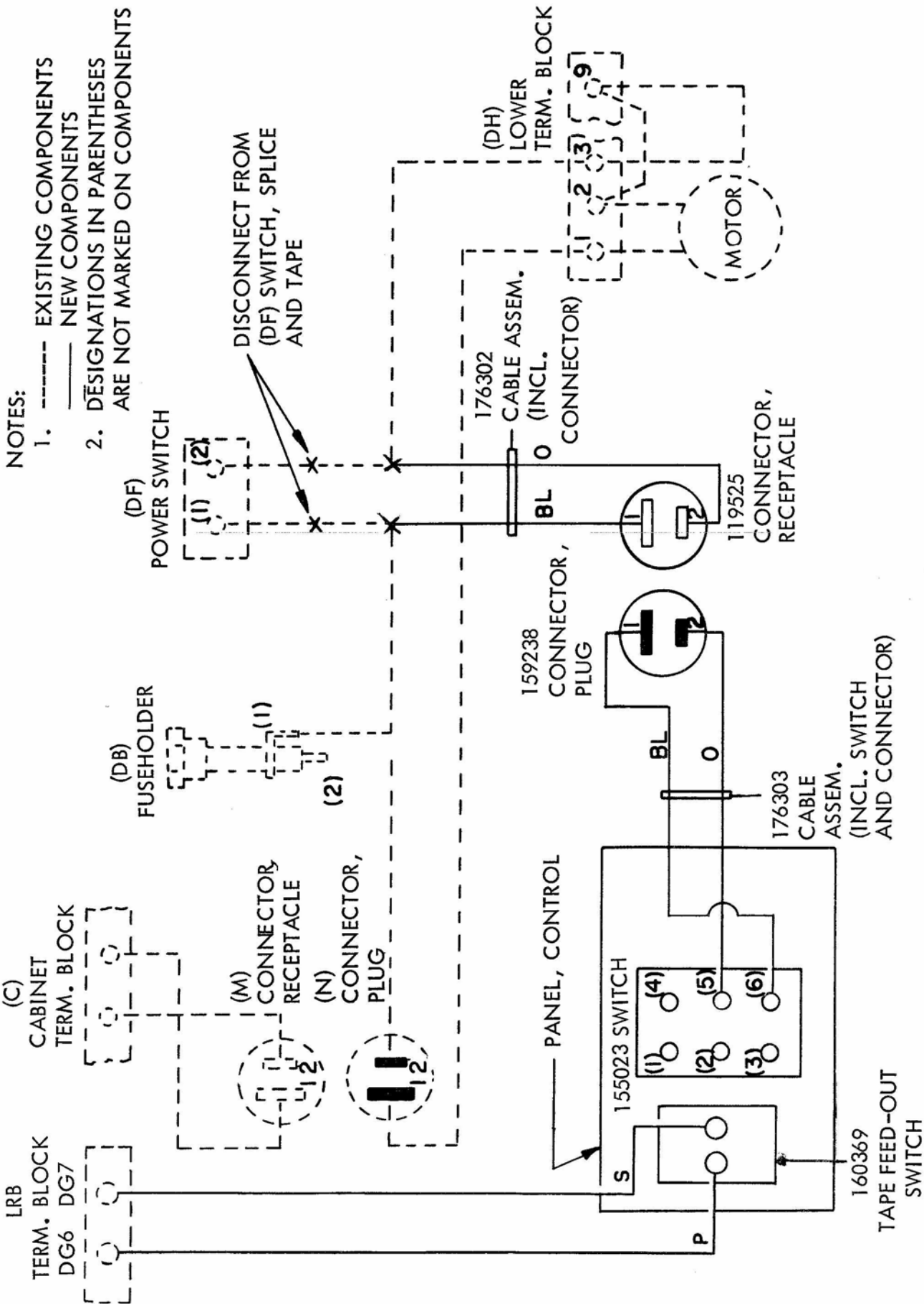


FIGURE 2

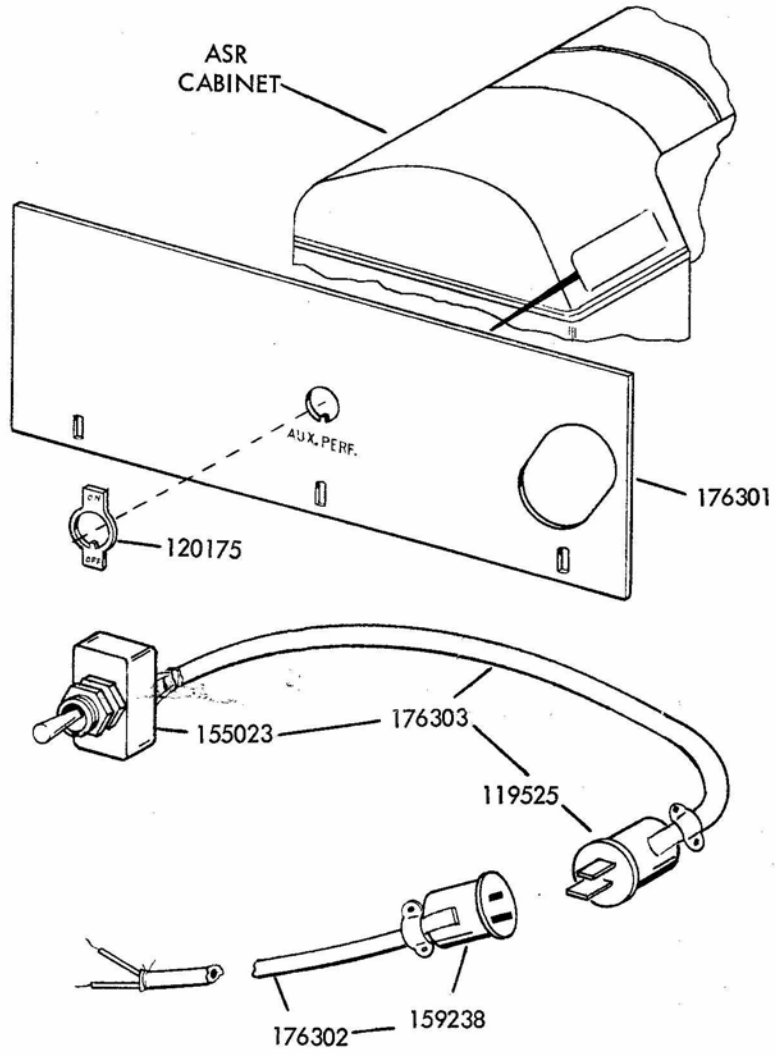


FIGURE 3.