

INSTALLATION INSTRUCTIONS FOR THE 194992 MODIFICATION
KIT TO PROVIDE A TAPE GUIDE TO MODEL 28 TYPING REPERFORATOR
(LPR) OR PERFORATOR (LTPE) OR TO MODEL 28 NON-TYPING
REPERFORATOR (LRPE OR LARP) OR PERFORATOR (LPE)

The chart below pertains to Bell System only

UNIT	TELETYPE CODE	BELL CODE
Typing Reperforator	LPR4 thru 47	28A thru 28M
Non-Typing Reperforator	LRPE 10	28H

1. GENERAL

a. The 194992 Modification Kit provides a Model 28 Typing Reperforator (LPR) or Perforator (LTPE) or a Model 28 Non-Typing Reperforator (LRPE or LARP) or perforator (LPE) with a 194993 Tape Guide. The 194993 Tape Guide is used to hold down the tape and prevent the tape from buckling and from creating a tape jam or loss of message.

b. This Modification Kit is not for units that must over feed hole.

c. The 194992 Kit replaces the 146364, 159365, 163291 and 164963 Modification Kits.

d. The 194992 Kit consists of:

1	125011	Washer, Flat	1	194993	Guide, Tape
1	152893	Screw			

e. For parts ordering information refer to the appropriate Teletype Bulletin as indicated below.

<u>UNIT</u>	<u>BULLETIN</u>
LARP	1166B
LPR	1167B
LPE & LTPE	1169B
LRPE	1172B

NOTE

The 125011 Flat Washer provided with this kit may be discarded if the unit being modified is equipped with a power retracted (retractable slide) punch.

2. INSTALLATION (See Figures 1 and 2)

- a. Remove and discard the 146326, 154982, 154990, 162092, or 164514 Tape Guide and its mounting hardware, if the unit is so equipped.
- b. Remove and retain the four 55063 Springs from the punch.
- c. Remove and retain the punch block assembly by removing and retaining the two mounting screws in the front plate of the punch and the two mounting screws in the rear plate of the punch.
- d. Remove the 151152 Screw (discard) and 110743 Lock Washer (retain) used to hold the 156012 Tape Biasing Spring and 172984 Spring Bracket (on power retracted units) to the punch block assembly.
- e. Mount the 194993 Tape Guide to the punch block assembly.

(1) If the unit being modified is equipped with a spring retracted (retractable bail) punch, reassemble in the following order: (Figure 1)

152893	Screw	(new)	125011	Washer	(new)
110743	Lock Washer	(retained)	156012	Tape Biasing Spring	(retained)
194993	Tape Guide	(new)		Punch Block Casting	(retained)

(2) If the unit being modified is equipped with a power retracted (retractable slide) punch, reassemble in the following order: (Figure 2)

152893	Screw	(new)	172894	Spring Bracket	(retained)
110743	Lock Washer	(retained)	156012	Tape Biasing Spring	(retained)
194993	Tape Guide	(new)		Punch Block Casting	(retained)

NOTE

Adjust the tape guide as shown in Section 3 of this specification at this point.

- f. Remount the punch block assembly using the retained mounting screws.
- g. Replace the four 55063 Springs removed in Step b.

3. ADJUSTMENTS AND LUBRICATION

- a. Make the adjustment shown on Figure 3.

b. For adjustments and lubrication of related equipment refer to the appropriate Teletype Bulletin as indicated below.

UNIT

BULLETIN

LARP
LPR
LPE & LTPE
LRPE

245B
247B
250B
256B

*

*

*

50188S

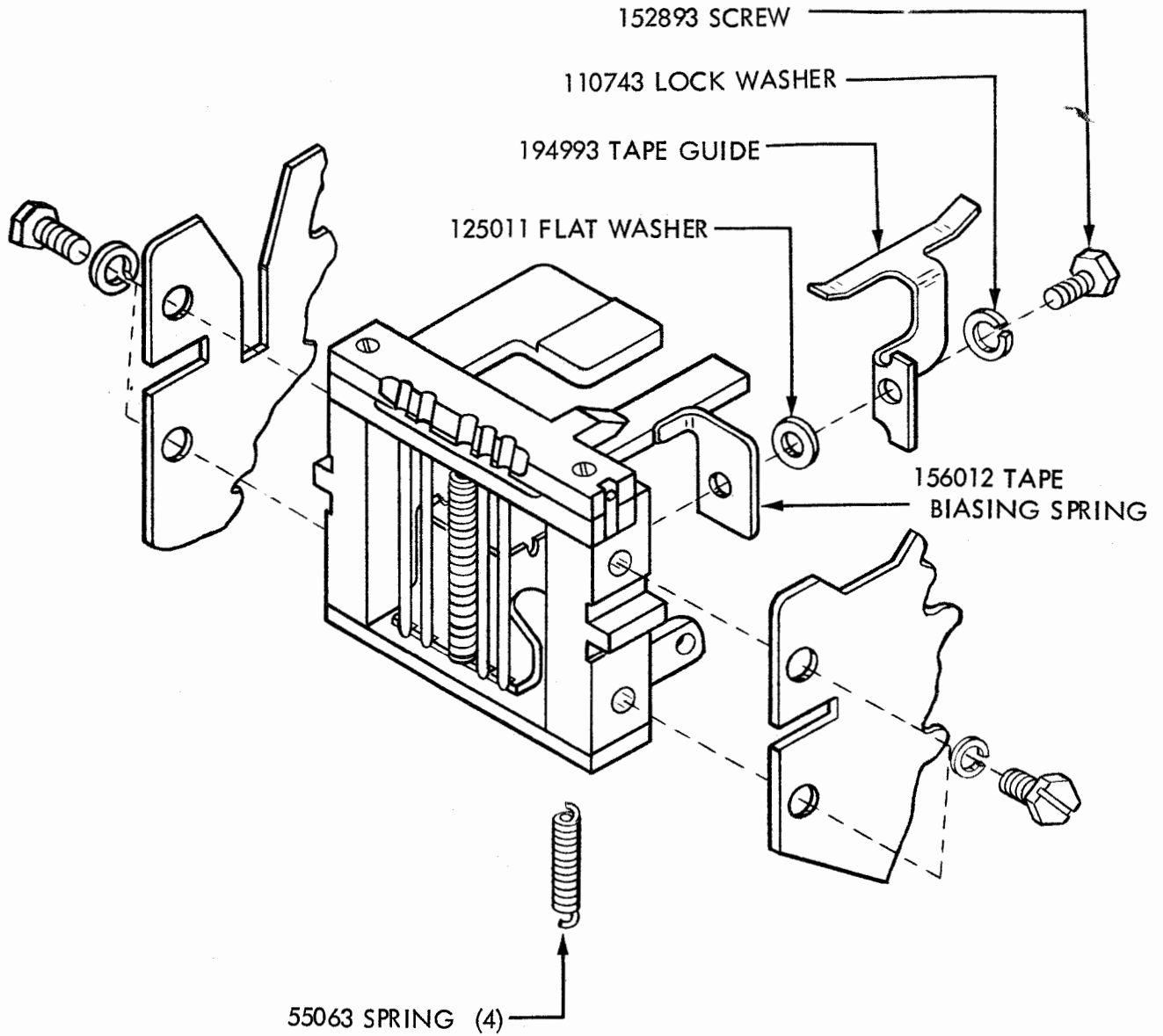


FIGURE 1

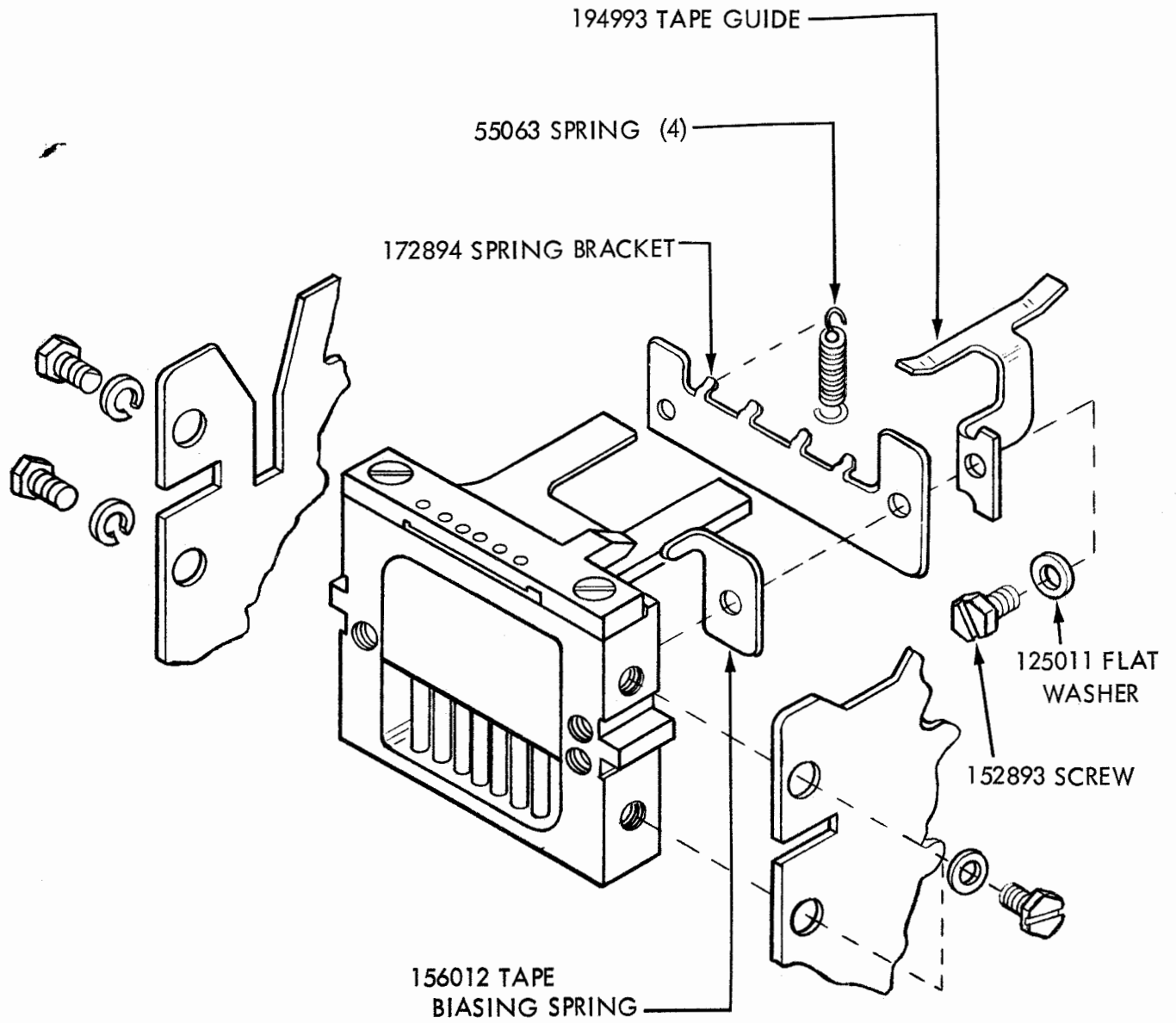


FIGURE 2

TAPE GUIDE
REQUIREMENT

MIN. 0.008 INCH --- MAX. 0.015 INCH
CLEARANCE UNDER TAPE GUIDE.

TO ADJUST

LOOSEN MOUNTING SCREW AND POSITION
THE TAPE GUIDE KEEPING THE EDGE OF
THE GUIDE FLUSH WITH THE SIDE OF
THE PUNCH BLOCK CASTING.

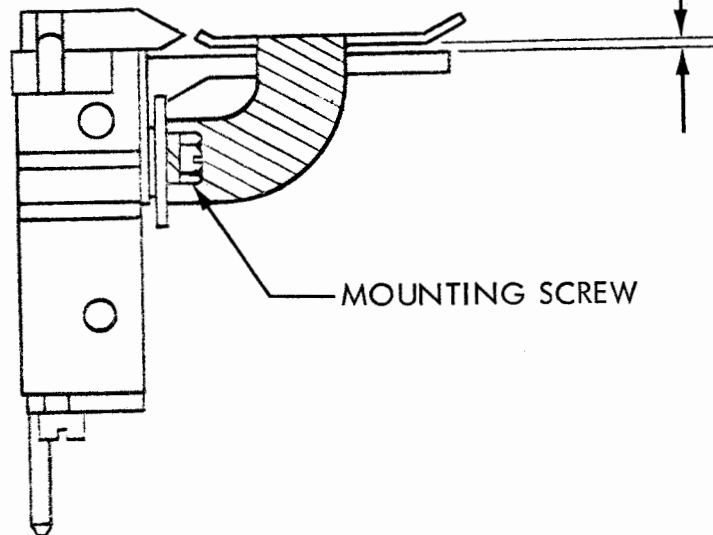


FIGURE 3