

INSTRUCTIONS FOR INSTALLING THE 193230
48 VOLT POWER SUPPLY MODIFICATION KIT
ON LTHS213

1. GENERAL

1.01 The 193230 modification kit is for installation on Model 28 Tape Handling Stand 213.

1.02 The power supply 117 v ac source terminates at positions 3 and 4 of the LTHS terminal board. Positions 5 and 6 accommodate the 48 v dc output of the power supply. Position 5 is -48 v dc with respect to position 6. This dc supply is used as a power source for relay operated circuits. Positions 1 and 2 accommodate the 24 v ac output of the power supply.

1.03 The 193230 modification kit consists of:

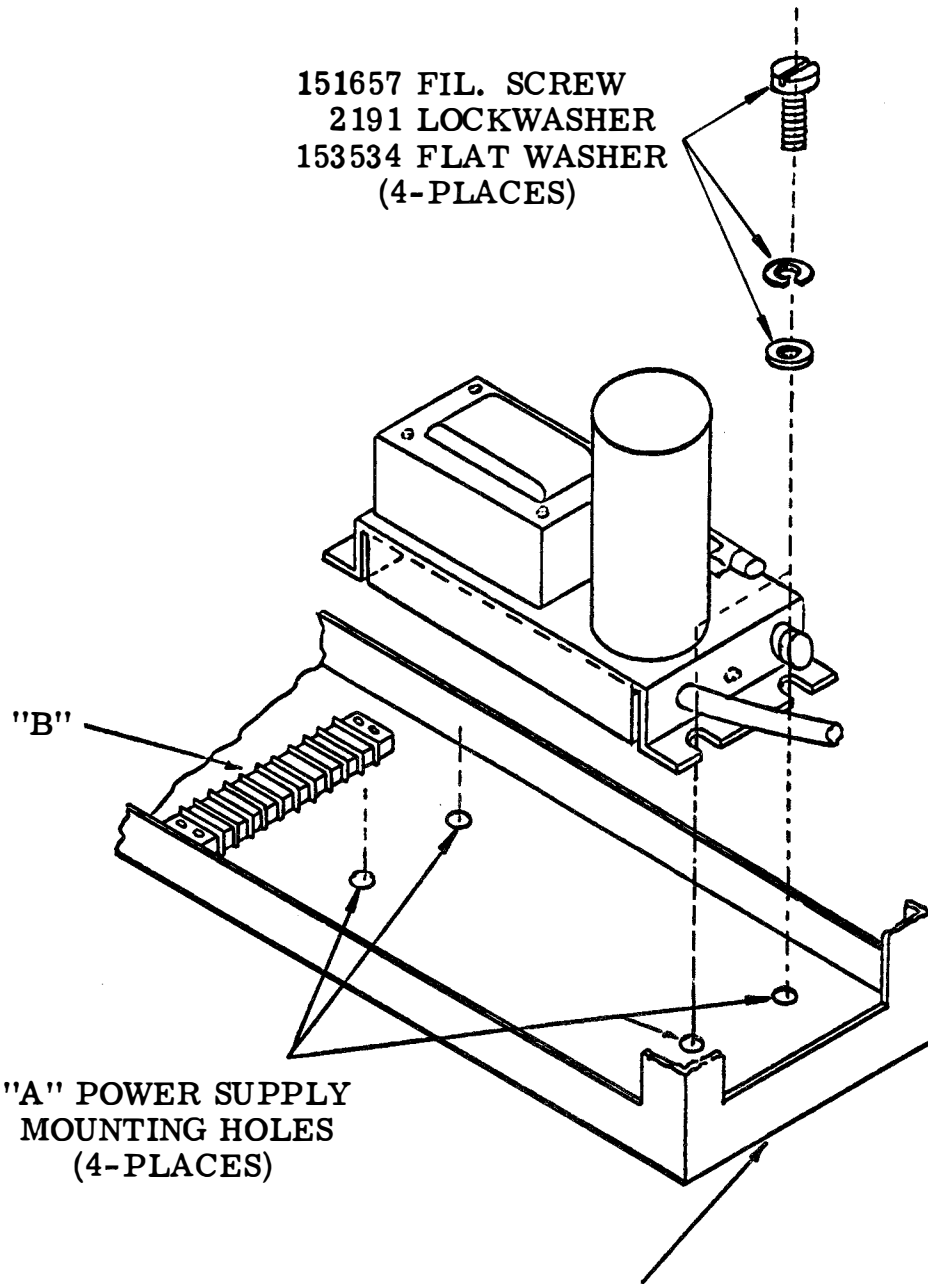
4	2191	Lockwasher	4	151657	Screw
6	72597RM	Terminals	4	153534	Washer
1	148280	Power Supply			

2. INSTALLATION (See Figures 1 and 2)

2.01 The 148280 power supply is mounted in locating holes "A" with 151657 screws, 2191 lockwashers, and 153534 flat washers. Cut the cable from the 148280 power supply to 15 inches in length. Attach the 72597 closed and solderless terminals to each wire. Connect the wires to the bottom terminal strip (B) as shown in Figure 2.

50326S

151657 FIL. SCREW
2191 LOCKWASHER
153534 FLAT WASHER
(4-PLACES)



BOTTOM FRONT OF
TAPE HANDLING STAND

FIGURE 1

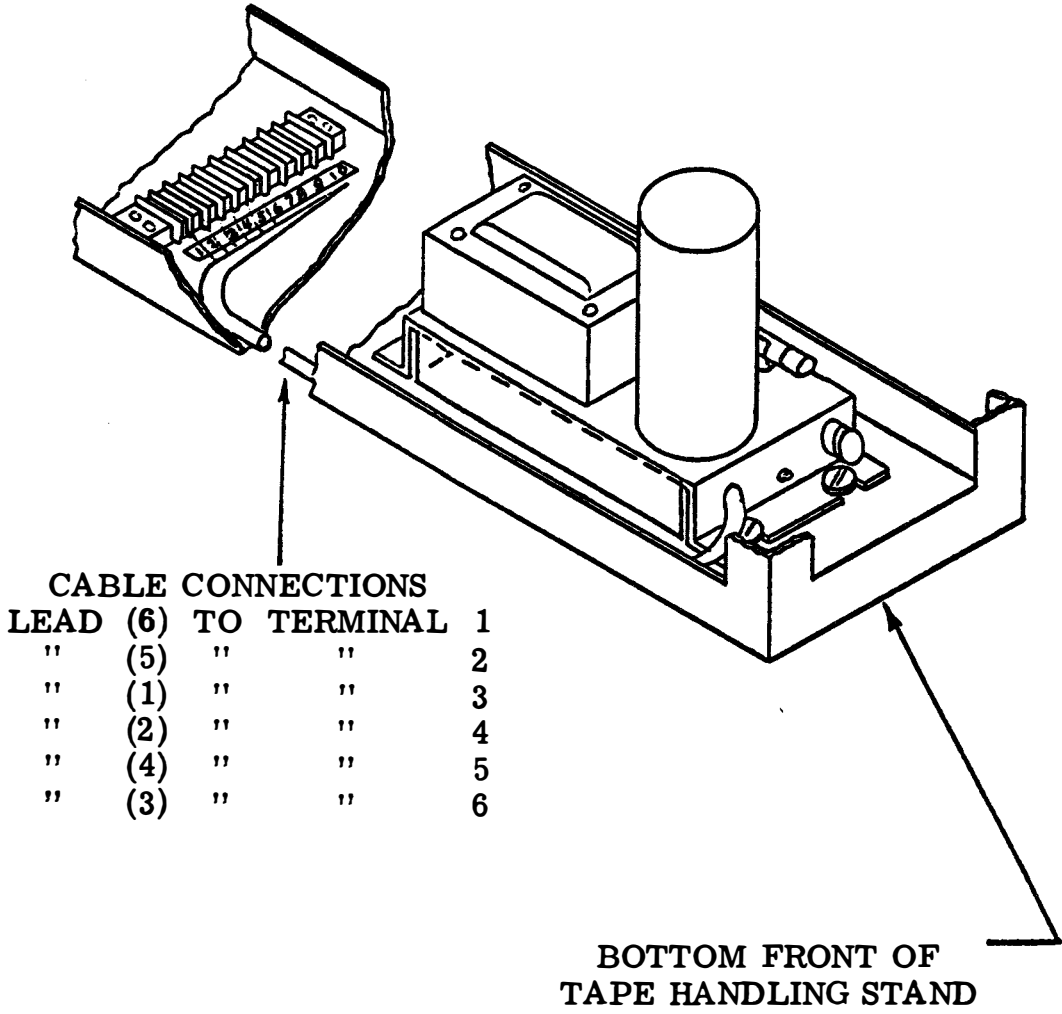


FIGURE 2

