

INSTRUCTIONS FOR INSTALLING THE 323424**
MODIFICATION KIT TO PROVIDE INTERMEDIATE
TAPE STORAGE BIN ON MODEL 35 ASR SET

1. GENERAL

- 1.01 The 323424** modification kit provides an intermediate tape storage bin, with a capacity of approximately 80 inches of fully perforated tape, which mounts on the lower panel of the Model 35 ASR cabinet. The double asterisks (**) denote a suffix which indicates the color of the paint finish.
- 1.02 The 323423 mounting plate is fitted with four permanent magnets which hold the tape bin assembly firmly to the cabinet lower panel, yet allows convenient removal.
- 1.03 A chad container is provided which slides onto the top shelf of the 323423 mounting plate. The chad container may be removed without disturbing the tape bin assembly.
- 1.04 Facilities for tape alarms and tape stuffing devices are not provided.
- 1.05 The 323424 kit consists of:
- | | | | | | |
|---|--------|----------------|---|----------|-------------------------|
| 4 | 93984 | Washer | 4 | 161708 | Latch, magnet |
| 4 | 110434 | Screw | 4 | 161747 | Plate, nut |
| 8 | 110743 | Washer | 1 | 323419 | Tape bin assembly |
| 2 | 119648 | Ring, retainer | 1 | 323422** | Chad container |
| 8 | 125802 | Washer | 1 | 323423** | Mounting plate |
| 4 | 129234 | Washer | 1 | 327370 | Bracket, tape deflector |
| 8 | 151686 | Screw | 1 | 327371 | Shaft |
- 1.06 For parts ordering information, other than the parts in the kit, and for standard adjustments and lubrication procedure of related equipment, refer to the standardized information.

2. INSTALLATION

- 2.01 Mount the 161708 magnet latches in the holes provided and secure with 151686 screws, 110743 lockwashers, 125802 flat washers, and 161747 nut plate. (See Figure 1.)

SPECIFICATION 50463S

- 2.02 Assemble the 323423 mounting plate to the 323419 tape bin assembly using 110434 screws, 93984 lockwashers, and 129234 flat washers.

Note: Be certain the opening in the retaining plate is to the right as you face the four mounting holes in the frame before assembling the mounting bracket to the tape bin assembly. (See Figure 1.)

- 2.03 Hang the tape bin in the same manner as the original chad container. When satisfied that the tape bin is securely engaged with the hanger bracket, allow the tape bin to swing forward engaging the magnet latches.
- 2.04 Insert the chad container from the right, onto the shelf behind the tape bin.
- 2.05 Assemble the 327369 tape deflector to the 327370 tape deflector bracket using the 327371 shaft and the 119648 retainer rings. (See Figure 2.)
- 2.06 Remove the 192266 plate by removing and retaining the 3598 nut, the 2191 lockwasher, and the 7002 flat washer from both ends of the 192266 plate. Discard the plate.
- 2.07 Install the assembled tape deflector in place of the 192266 plate using the retained hardware. (See Figure 2.)
- 2.08 Perform a preliminary adjustment to the magnet latches aligning the end of the magnet area with the edge of the mounting bracket. (See Figure 1.) Make additional adjustment as necessary.
- 2.09 Adjust the tape deflector so that the 327370 tape deflector bracket is in contact with the top edge of the tape exit orifice of the upper cover.

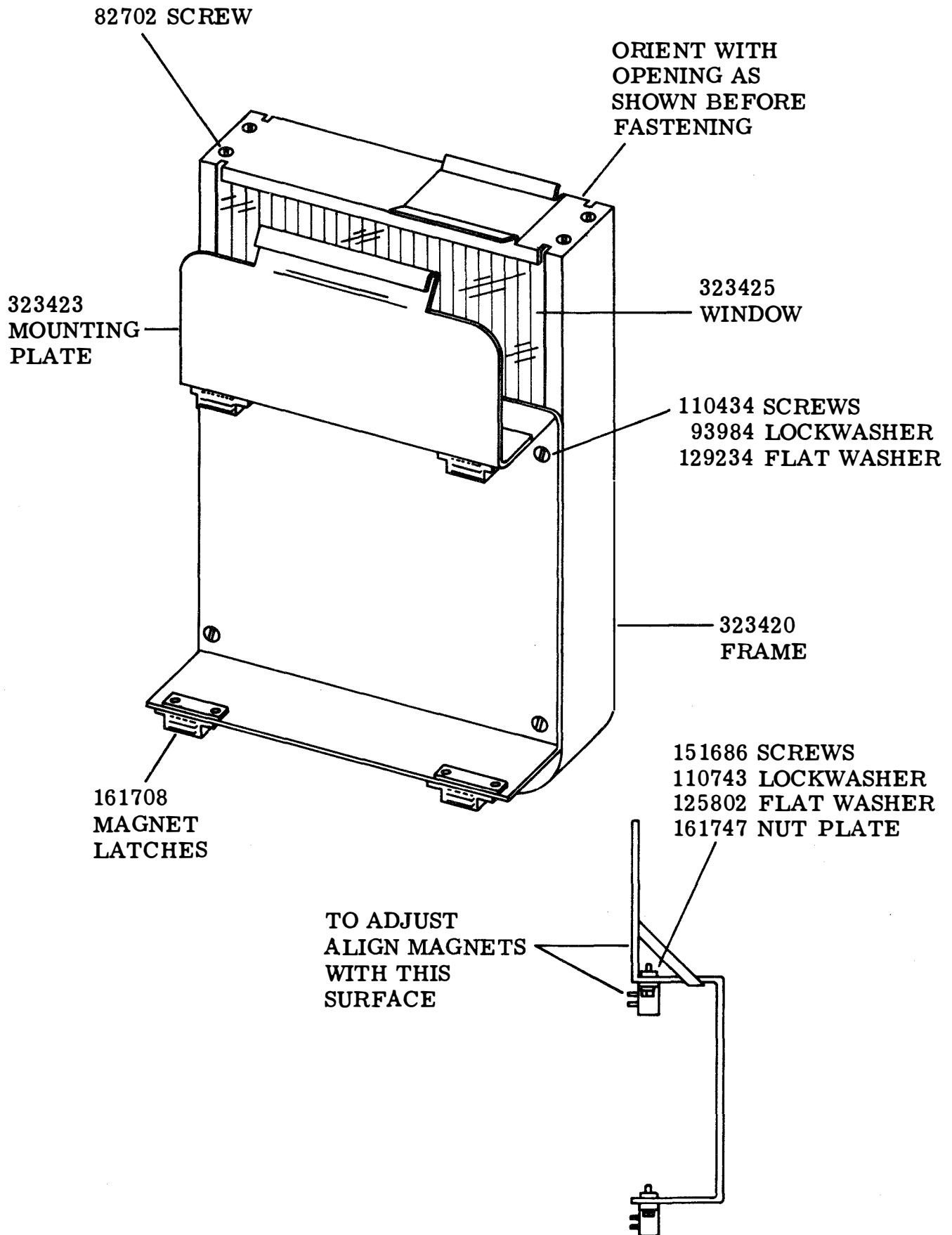


Figure 1

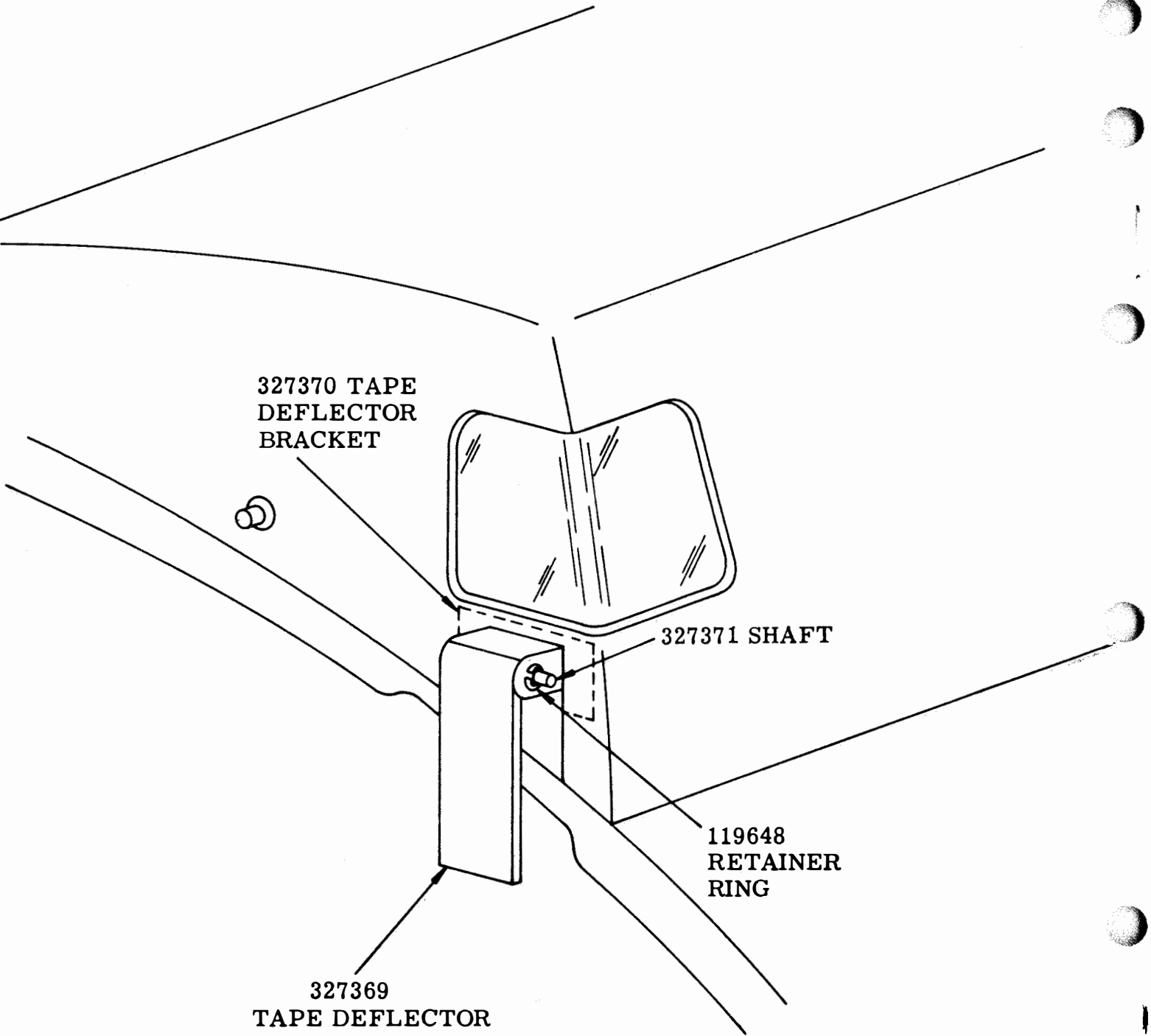


Figure 2