

INSTRUCTIONS FOR INSTALLING THE 323705  
MODIFICATION KIT TO PROVIDE FORCED  
VENTILATION FOR THE MODEL 28 AND 35 AC  
CABINETS

1. GENERAL

1.01 The 323705 modification kit draws air at room temperature into the cabinet at the top rear, forces it down over the equipment, and out through the various cabinet openings. This movement of air through the cabinet conducts heat away from the equipment.

1.02 This kit mounts flush to the back panel of the Model 28 and 35 ac cabinets. The fan motor operates on 115 volts, 50 to 60 hertz alternating current drawing 14 watts.

1.03 The 323705 kit consists of:

4	2191	Lockwasher	1	152755	Strap, terminal
4	3598	Nut	1	155750	Sleeve, insulating
1	82474	Terminal	1	193942	Fan assembly
4	82702	Screw	1	193943	Power cord
1	139159	Connector plug			w/fuse

1.04 For parts ordering information, other than the parts in the kit, refer to Teletype Parts Bulletin 1111B.

2. INSTALLATION

2.01 Back Panel Opening: If it is necessary to cut a rectangular opening in the back panel, use the template shown in Figure 1. Installation will be facilitated if the back panel is removed from the cabinet.

- (a) Use Figure 1 as a template or note dimensions when working on the under-side of the panel. Align dimension shown with the edges of the panel.
- (b) Drill or punch four 0.144 inch diameter holes.
- (c) Cut the rectangular opening in the back panel.
- (d) Install fan.

2.02 Attach the spring steel mounting clips (supplied with the fan) to the cover as shown in Figure 2 using the 82702 flat head screws, 2191 lockwashers, and 3598 nuts.

- (a) Replace the panel on the cabinet.
- (b) Solder the end of the 193943 power cord with the insulating sleeves to the fan terminals. Slip the sleeves over the terminal.
- (c) On the fan block, locate the air flow indicating arrow on the opposite side of the soldered terminals. With the arrow pointing into the cabinet and the fan solder terminals toward the bottom of the cabinet, insert the fan block between the clips and punch inward until the clip lugs snap into the block recesses. Refer to Figure 2.

Note: If the block must be removed, pry the spring tabs carrying lugs away from the block with a screwdriver. The block should then be drawn out, not pushed in.

- (d) Press the grille assembly down between the clips as far as it will go. It is held in place by retaining fingers on the clips.
- (e) Assemble the plug connector to the free ends of the power cord. Suitable filler may be used with the connector to provide adequate clamping on the power cord.

**CAUTION: BE CERTAIN THAT FUSED SIDE OF THE CABLE ASSEMBLY IS CONNECTED TO THE "HOT" (BRASS SCREW) SIDE OF THE PLUG CONNECTOR.**

2.03 To remove service panel:

**CAUTION: REMOVE THE CABINET POWER CORD FROM ITS 115 V AC SOURCE BEFORE ATTEMPTING THESE WIRING CHANGES.**

Note: All parts and wires removed are to be saved for reassembly except where noted otherwise.

- (a) The service panel is located at the bottom rear of the cabinet. Refer to Figure 3.
- (b) Remove the two 151632 screws and associated washers which secure the service panel to the cabinet. The panel can now be lifted out a short distance for servicing.

## SPECIFICATION 50490S

- (c) Remove the 151412 insulator and mounting hardware from the 151411 terminal block.

### 2.04 To perform panel wiring changes:

- (a) Move wires 20-BK and R or S (dependent on converter type) from AC-5 to AC-7. Refer to Figure 4 (new wiring) and 5969WD, Issue 3 (old wiring).
- (b) Remove and discard the 151827 strap on AC-3 and 4. Slide the 152755 strap into AC-3, 4, and 5. Retain and secure wires originally present on AC-3 and 4.
- (c) On the power connectors, remove the white strap connecting AC-(15) to AC-(16). Cut only enough cable lacing to remove this strap. Retie lacing after strap removal. Retain and secure 12-W on AC-(15) and 6-W on AC-(16).
- (d) Connect the white wire removed in step (c) to AC-2 and AC-(12). Route strap along side of service panel cable.
- (e) On the terminal side of the fuse holder, remove lacing and slip off insulating sleeve. Remove 14-BK from AC-(20). This wire is soldered and can be conveniently removed by cutting the solder connection. Replace the fuse sleeve and retie the lacing.
- (f) Strip the cut wire a suitable amount to accept a terminal. Slip the 155750 sleeve over the wire, crimp and solder the 82474 terminal to it. Secure the soldered terminal to AC-5 and slide the sleeving over the terminal.

### 2.05 Service panel installation:

- (a) Replace the 151412 insulator and associated hardware. Depress wires if necessary for proper fit.
- (b) Replace the main cabinet cable in the cutout on the side of the service panel. Reassemble the service panel to the cabinet. Allow approximately 1/16 inch gap between the rear edge of the panel and the cabinet frame to allow full closure of the cabinet back panel.
- (c) Replace the cabinet power cord to its 115 v ac source. Connect the fan connector plug to one of the vacant receptacles on the service panel. Replace and secure the cabinet back panel.

3. ADJUSTMENTS AND LUBRICATION

3.01 There are no adjustments for 323705 kit.

3.02 The fan must be lubricated once a year using the 193853 oil injector kit (not furnished with the 323705 modification kit and must be ordered separately). Lubrication instructions are contained in the plastic container housing of the oil injector kit.

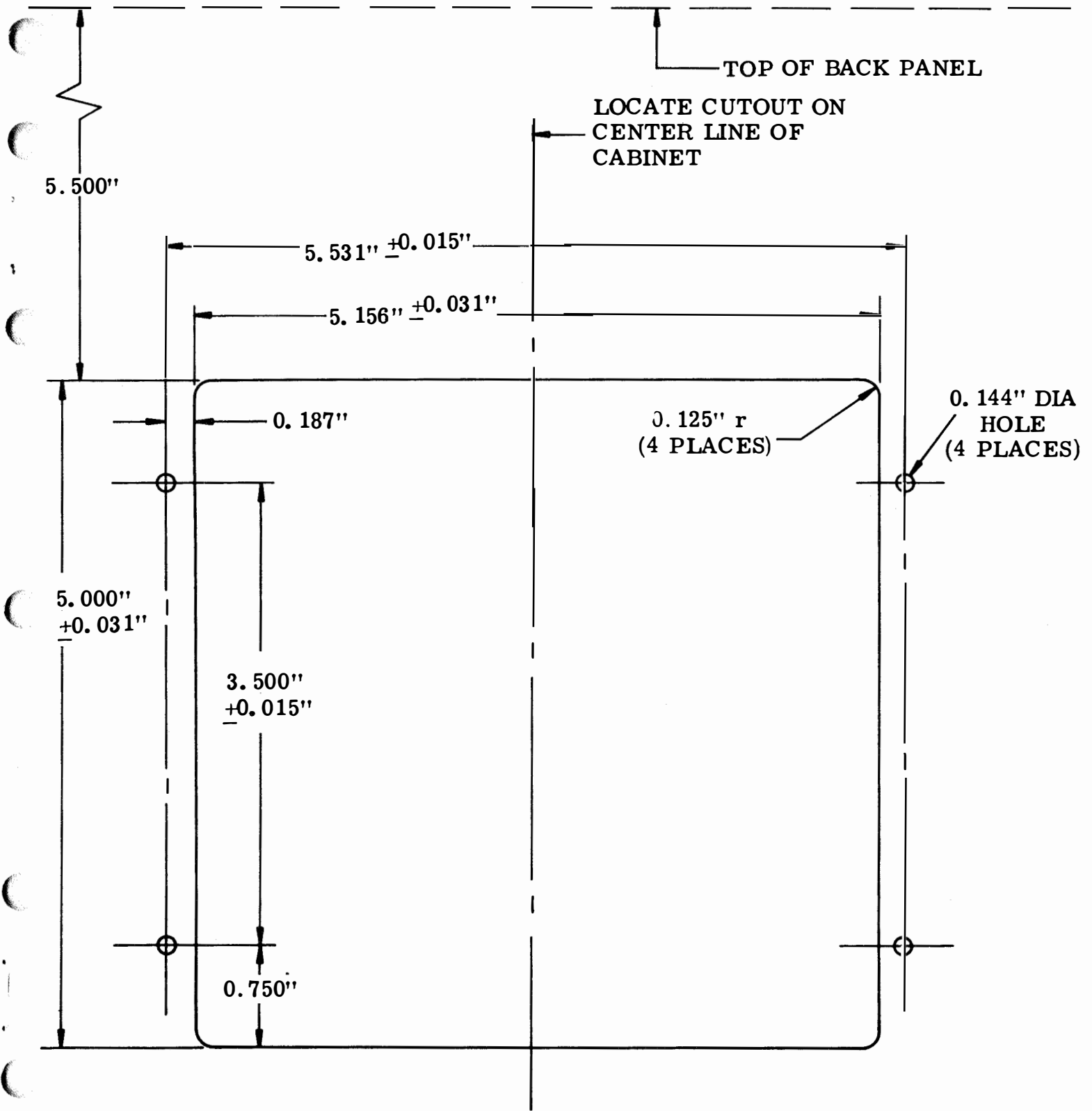
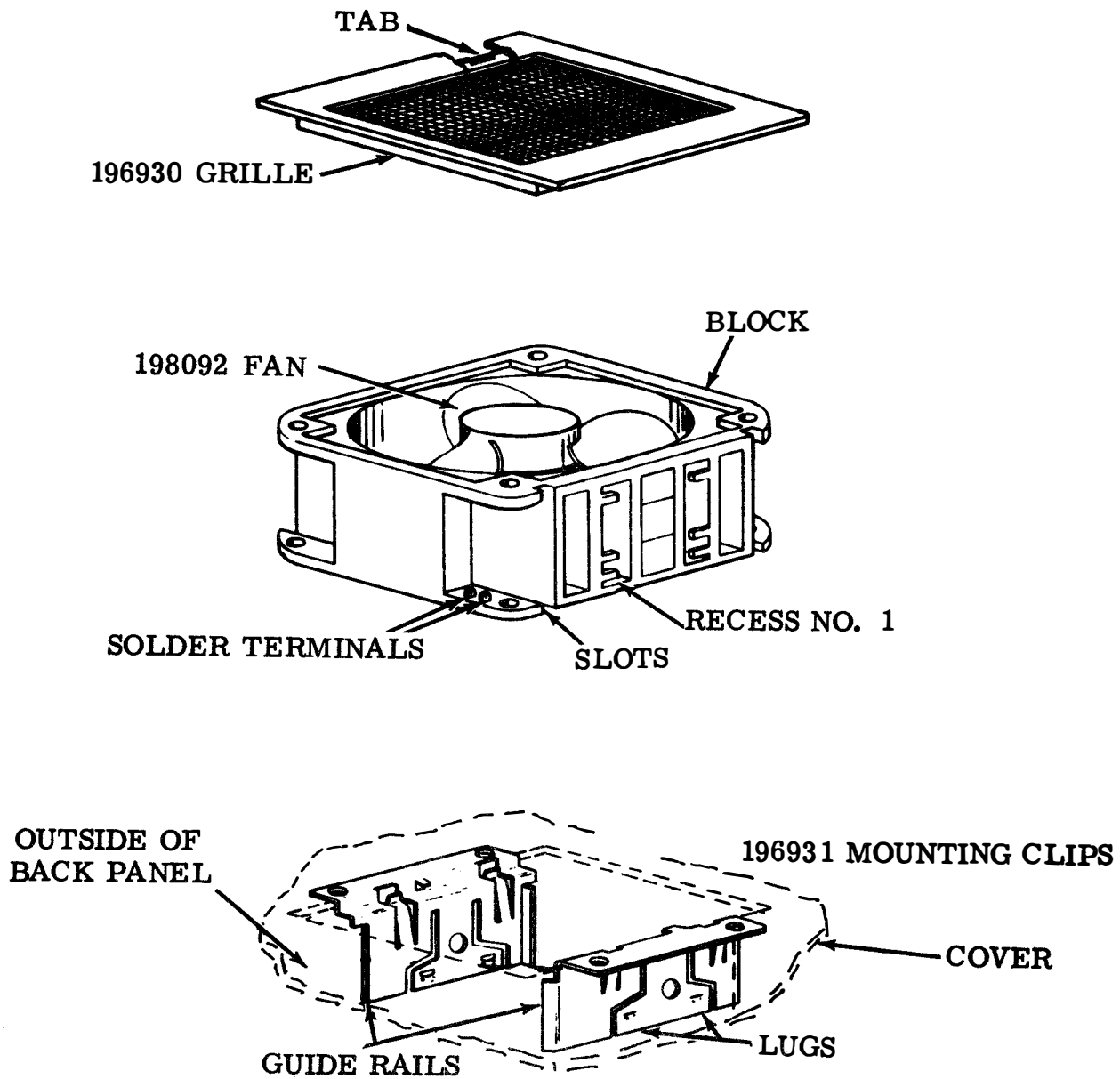


Figure 1

SPECIFICATION 50490S



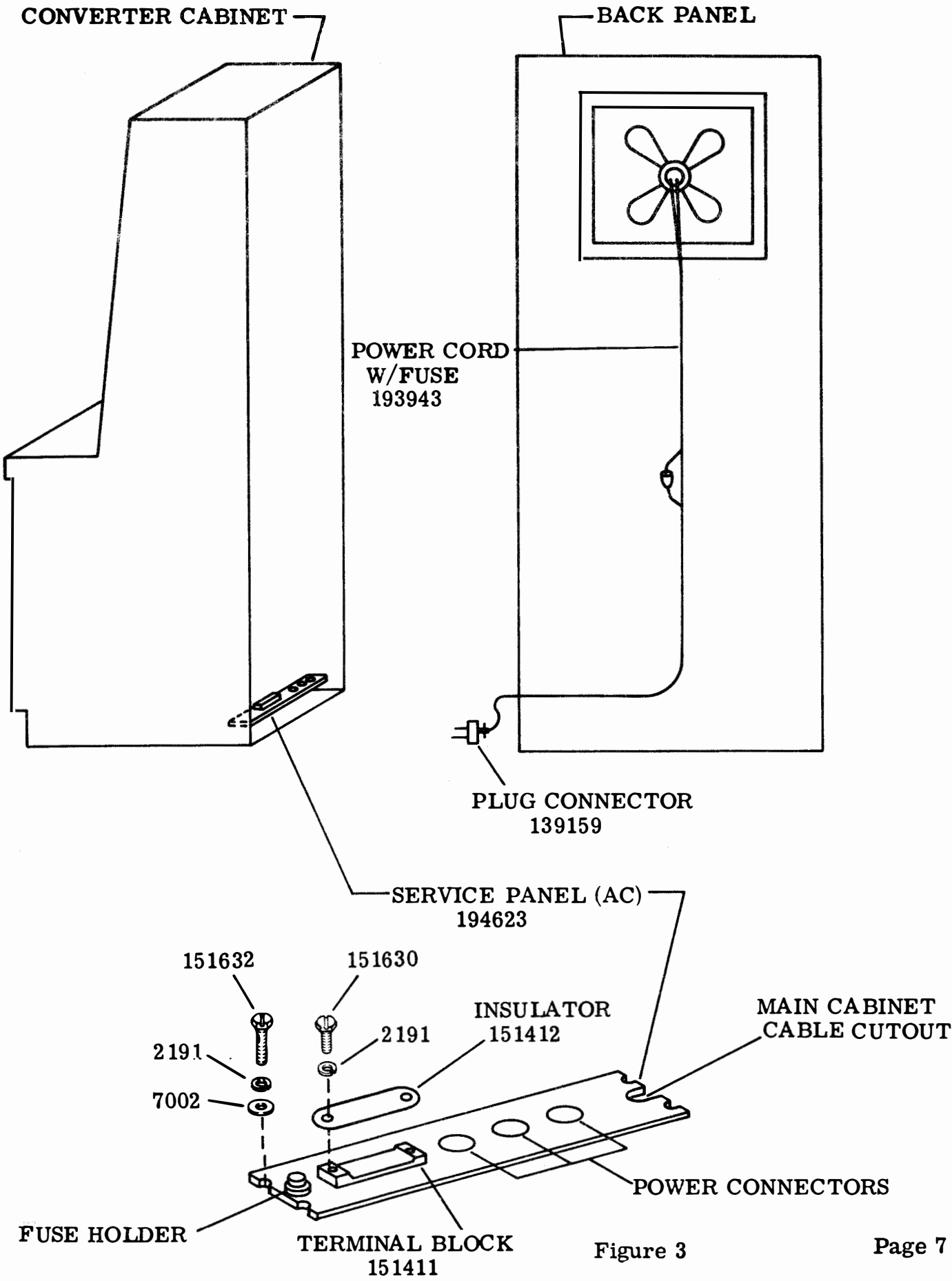


Figure 3

NOTE: COLOR CODE IS  
DEPENDENT ON CON-  
VERTER TYPE.

TYPE	COLOR
5 to 8	R (RED)
8 to 5	S (SLATE)

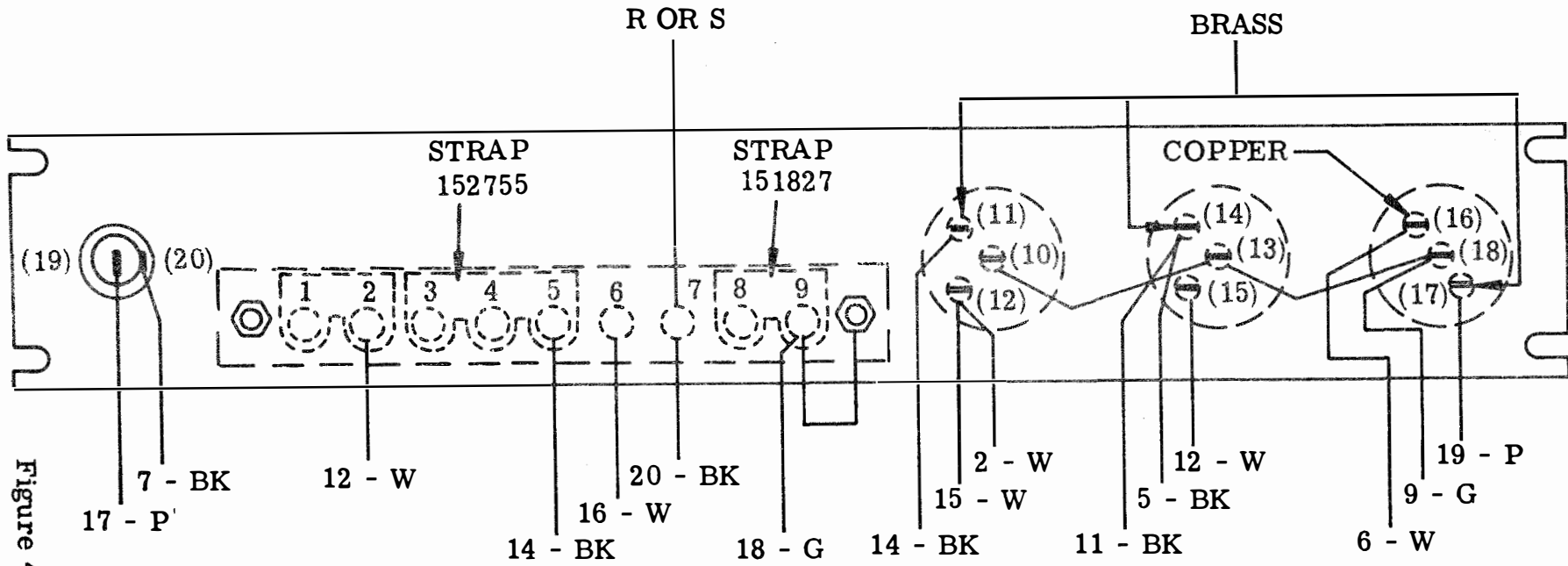


Figure 4

SERVICE PANEL (AC) ACTUAL WIRING

(Bottom View)

Note: Unchanged main cable wires on terminal  
block are not shown.