

INSTRUCTIONS FOR INSTALLING MODIFICATION KIT
321706 ON MODEL 35 TYPING REPERFORATOR TABLES
TO PROVIDE A "FULL CHAD BOX" WARNING INDICATOR

1. GENERAL

- 1.01 Modification kit 321706 provides a "full chad box" warning indicator, a lighted lamp, on Model 35 receiving only typing reperforator tables.
- 1.02 The kit provides a means of collecting the chad produced by the perforator unit. It contains an adjustable beam scale which weighs the chad and trips a switch when the weight of the chad and the container reaches approximately 25 ounces.
- 1.03 The chad container is sufficiently large to permit the accumulation of chad produced from 50 percent perforation of three rolls of standard 1000 feet long, one inch wide, eight level tape.
- 1.04 A cable with clip-on terminals is provided with the assembly. This cable connects to the wiring field in the electrical service unit.
- 1.05 When the chad switch is turned on, a lamp lights illuminating a rectangular translucent plastic lens marked EMPTY CHAD.
- 1.06 Modification kit 321706 comes as an assembled unit from the factory.
- 1.07 For parts mentioned, other than those included in the kit, refer to Teletype Parts Bulletin 1188B.

2. INSTALLATION

- 2.01 To assemble the modification kit to a receive-only reperforator table, perform the following:
 - (a) Remove and retain the two screws 153442, lockwashers 2669, and flat washers 3438 of the existing chad disposal assembly.
 - (b) Remove spring clamp 193774, clamp 193828, chad chute extension 193832, and bracket 193883 from mounting bracket 197050 that supports chad chute box by removing screw 151632, lockwasher 2191, and flat washer. Discard bracket 197050. Retain other parts for subsequent use.
 - (c) Replace the parts retained in Paragraph 2.01 (b) and attach to bracket 193761 using screw 151632, lockwasher 2191, and flat washer 7002.

SPECIFICATION 50493S

- (d) Mount modification kit 321706 into the table using the same hardware that attached the original bracket to the table.
- (e) To provide 115 v ac power for the empty chad indicator circuit, change the wiring in the C field of the LESU311 as follows:
 - (1) Remove the BR-G wire on H4 and place on G4.
 - (2) Place one end of the strap 197054 on H4 and the other end on G4.
 - (3) Connect the BK wire of cable 194218 to terminal H1.
 - (4) Connect the W-BK wire to terminal G4.
- (f) Place lamp 178986 in socket provided.

3. ADJUSTMENTS AND LUBRICATION

- 3.01 For standard adjustment and lubrication procedures refer to Teletype Bulletin 280B. (Bell System - refer to standardized information.)
- 3.02 When pulling the chad box support beam notch in a downward direction, 24 to 27 ounces should trip the switch. Loosen the counterweight mounting screw and slide the counterweight on its beam to meet this requirement. Retighten the screw.
- 3.03 Place one drop of KS7470 oil on the knife of the chad disposal beam scale.

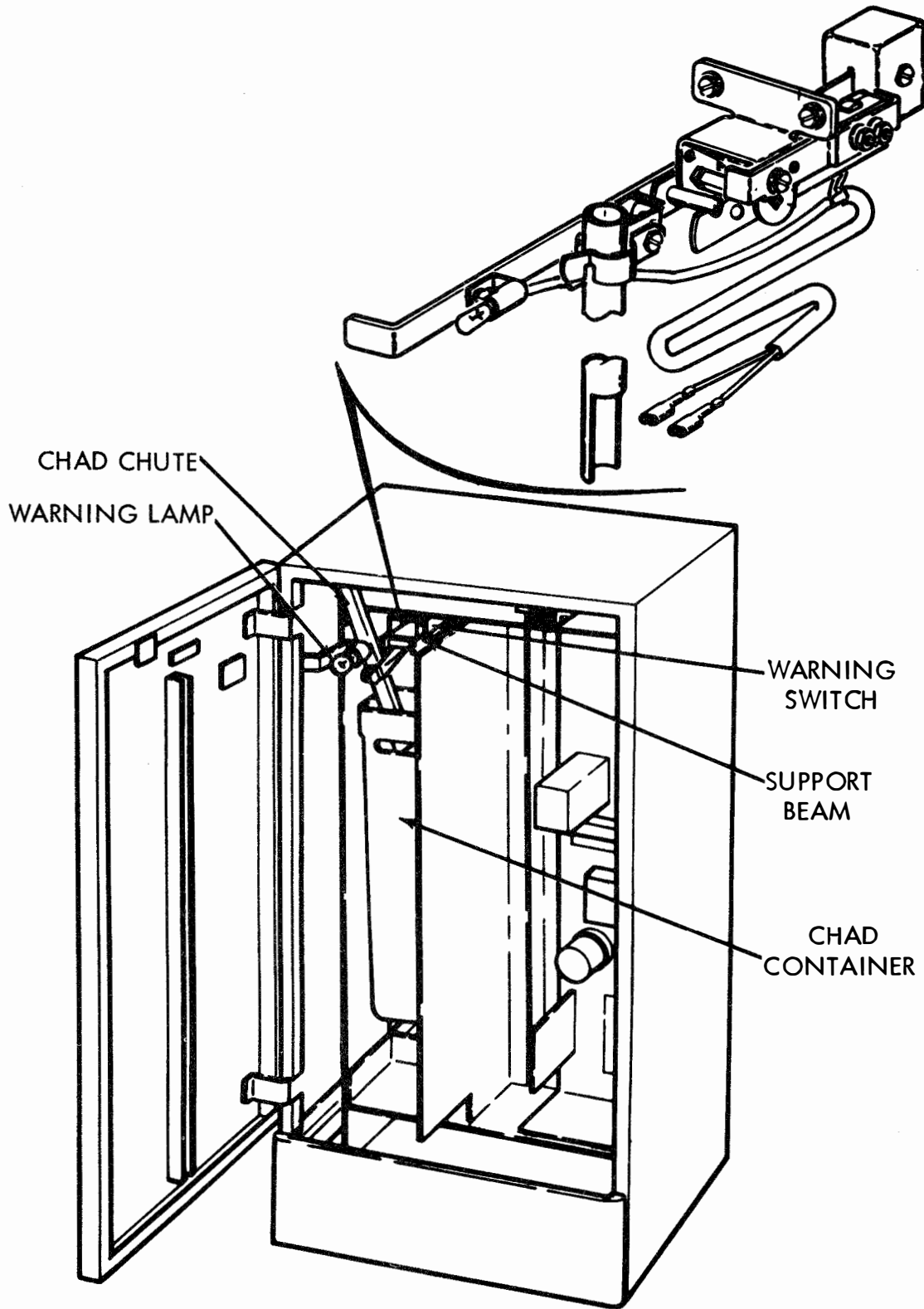


Figure 1 - 35 Typical Installation of Modification Kit 321706.

