

DESCRIPTION, INSTALLATION,
ADJUSTMENTS AND PARTS ORDERING INFORMATION
FOR TELETYPE APPARATUS CABINET AC203BJ

1. GENERAL

The Teletype apparatus cabinet AC203BJ accommodates a Model 15 send-receive printer (with combined base-keyboard) and provides electrical service facilities. The cabinet is constructed of welded metal and is finished in a smooth dark gray enamel. Latches are provided to hold the lids and the top shelf in either the operating or servicing positions. See Figure 1.

2. FEATURES

a. The sides of the upper section of the cabinet are provided with silencing pads. The front top portion of the cabinet is hinged and forms a lid that can be opened and folded upward out of the way. See Figure 2. A counter-balance arm and latch holds the front top lid in the "Up" or "Open" position. The rear top portion of the cabinet is also hinged and forms a rear lid that can be opened and latched to make the rear of the apparatus accessible.

b. The front top lid is provided with a cover glass. The glass frame is hinged so that it can be opened and latched in either the opened or closed position.

c. The top shelf is provided with vibration mounts (Figure 2) for the Model 15 printer base.

d. The top shelf and its supporting frame are equipped with rollers so that the entire assembly may be moved forward to make the apparatus accessible for servicing. It has a latching mechanism to hold the table in either the "In" or "Out" position. This latch is operated by grasping the front lower edge of the table, placing the fingers in the hand hole on the under side of the shelf, and exerting a natural hand grip to release the mechanism. In the "In" position the shelf is given a second lock by means of the quarter turn cowl type of fasteners. The top shelf and frame may be removed from the cabinet as one unit by loosening the front quarter-turn fasteners, operating the latching mechanism, sliding the shelf forward until the roller on the right side of the shelf is opposite an opening in the channel in which the roller rides, tilting it to free the roller from the right channel and then lifting the entire assembly from the cabinet.

e. Brackets are provided on the cabinet legs (Figure 2) so that they may be bolted or welded to the floor. If it is not desirable to fasten the cabinet to the floor, leather feet (supplied with the cabinet) may be assembled to the legs. A shelf and electrical service boxes are located in the lower section of the cabinet. The electrical service boxes include receptacles and jacks for connection to power and line circuits. The receptacles and jacks are used to complete connections to the apparatus mounted in the cabinet.

f. Openings are provided in the lower left and right portions of the front top lid which make the lever of the send-receive-break mechanism and the motor power switch of the Model 15 printer base accessible. Designation plates are mounted adjacent to these openings.

g. Wire duct openings are provided on both sides at the bottom of the cabinet for wiring purposes. See Figure 2.

h. A lever operative through an opening in the rear lid is provided for manually returning the printer carriage with the lid closed. See Figure 1.

i. A large hand wheel is furnished with each cabinet for attachment to the Model 15 printer platen shaft to permit manual paper feeding without opening the cabinet. See Figure 1.

j. Threaded mounting holes are provided in the lower half of the front top lid for mounting a copyholder (which is furnished as an accessory) if it is desired. The mounting of the copyholder does not interfere with the opening and folding back of the front top cover.

k. Provisions have been made in the rear of the cabinet for attachment of form feeding parts for association with a sprocket feed printer should this be desired.

m. The entire front top lid is latched down by means of two quarter-turn fasteners located to the left and right of the keyboard guard.

3. INSTALLATION

a. INSTALLATION OF CABINET IN A SIDE-BY-SIDE ARRANGEMENT

(1) If it is desired that the cabinets be bolted together when installed in a side-by-side arrangement the following procedure should be followed:

(a) Remove the three knockouts on the sides of the cabinets which are to be bolted together. One knockout is located near the top of the upper section of the cabinet and the other two are located just below the top shelf in the lower section.

(b) If leather feet are used, any irregularities in the floor surfaces on which the cabinet is installed may be compensated for by using the required number of the eight U-shaped metal shims (.032" thick) which are provided with the cabinet. To install, loosen the screw which clamps the leather foot to the cabinet and slide the shims in place between the bottom of the cabinet and the top of the leather foot and tighten the clamping screw.

(c) Place a 77020 flat washer on each of three 6035 screws and insert them through the knockout holes in the walls of the cabinets being bolted together. Place a 77020 flat washer, a 2449 lock washer, and a 3292 nut on each screw.

(d) Align the front and rear surfaces of the cabinets and tighten the 3292 nuts.

b. INSTALLING THE 104521 HAND WHEEL

(1) The standard platen crank handle is not used when the typing unit is installed in the cabinet. As a means of storing the crank handle, however, thread a 101493 stud with 80255 screw installed, (to be found in the muslin bag tied to the paper feed wheel) from the outside, into the tapped hole

(second from the rear) in the rear extension, of the right printer side frame, that supports the paper spindle. Thread the stud into the tapped hole as far as the threads will permit. If necessary, back off the studs until the tapped hole is approximately vertical and tighten the lock nut. If the 80255 screw is not projecting downward, reinsert it from the lower end of its mounting hole and snap on the platen crank removed from the Model 15 printer.

(2) Loosen the lock nut on the set screw in the hub of the hand wheel and turn the set screw out so that it does not project into the mounting hole in the hub.

(3) Place the hand wheel on the left end of the platen shaft so that the slot in the hub passes over the pin or screw in the platen shaft and then tighten the set screw.

c. MOUNTING THE MODEL 15 APPARATUS IN THE CABINET

(1) Loosen the lid fasteners and raise the front top lid to its latched position. Loosen the fasteners on the top shelf and unlatch the shelf by gripping the handle immediately under its front edge. Slide the top shelf and frame fully forward, then release the handle to latch the shelf in the servicing position.

(2) Place the Model 15 printer base-keyboard unit on the studs of the top shelf. See that the base rests in the studs of the vibration mounts and tighten the four mounting screws of the base into the studs.

(3) WIRING

(a) Connect the power and line circuits to the electrical service box as shown on Wiring Diagram WD-2500.

(b) Route the cord from the base unit over the rear of the shelf to the receptacle boxes. Connect the cords to the electrical service boxes as shown on Wiring Diagram WD-2500.

(4) Assemble the Model 15 printer in accordance with Teletype Specification S-5585 which accompanies the typing unit.

(5) Slide the top shelf and frame fully back into the cabinet and turn the fasteners. Unlatch and close the front top lid and see that the hand wheel (Figure 1) is approximately centered (right to left) in the slot in the top front lid. If not centered, loosen the hand wheel set screw and position the hand wheel. Tighten the set screw and lock nut.

4. ADJUSTMENTS

a. FRONT COVER GLASS ADJUSTMENTS See Figure 1.

There should be .030 to .060 clearance between the rear lid and the front cover glass tearing edge and when cover is open there should be a clearance of 1/8" or more between the bevel edge of the glass and the top of the cabinet. To adjust, position the front cover glass by means of its mounting rails.

b. FRONT TOP LID AND REAR LID LATCH TENSION See Figure 1.

It should require 3 to 8 ozs. to start the latch knobs moving when an 8 oz. scale is applied to the knob in line with the elongated slot. Check seven (7)

places. The plungers on the latches should move freely.

c. CARRIAGE RETURN LEVER SPRING TENSION See Figure 1.

It should require 2 to 5 ozs. pressure to start the carriage return lever moving when the push end of an 8 oz. scale is applied to the top of the return lever through the opening in the top of the cabinet.

d. TOP SHELF SUPPORTING LEG ROLLERS ADJUSTMENT

With the top shelf fully inside the cabinet the rollers on the bottom of the legs should clear the floor by 1/16 to 1/8 of an inch. To adjust, loosen the two roller mounting screws and move the roller up or down in the elongated slots as required for proper clearance. Tighten the screws.

e. FRONT LID HOLD-DOWN BRACKET See Figure 2.

Twelve (12) 3438 washers are supplied as shims for the left and right front lid hold-down brackets. Place two (2) shims behind each bracket screw. Fasten in position, friction tight. Lower the front lid and make certain that the opening in the bracket is directly behind the lid fastener. Adjust the brackets up or down as necessary by means of the elongated mounting holes. Adjust forward or rearward by means of the shim-washers furnished. Check the final adjustment by using the fastener stud.

f. COUNTERBALANCE-ARM PIVOT PLATE See Figure 2.

With the front top lid in its upward position and the rear lid open, remove the counterbalance-arm spring. Loosen the four mounting screws in the arm pivot plate. Lower the top lid. Press the lid tightly against the cabinet at the point where the counterbalance arm is fastened to the front lid and tighten the bracket mounting screws. Raise the front lid and reattach the counterbalance spring.

g. TOP SHELF LOCATING STUD ADJUSTMENT

With the top shelf locked in the cabinet there should be no horizontal or vertical movement of the rear of the top shelf. To adjust, unlock the shelf from the cabinet, loosen the nuts on the right and left holding studs, and move the studs forward or backward by turning the nuts until the requirement is met. Tighten the nuts. Lock the shelf in position by means of its wing fasteners and recheck for movement between the shelf and studs.

* * *

- 5 -
(S-5581)

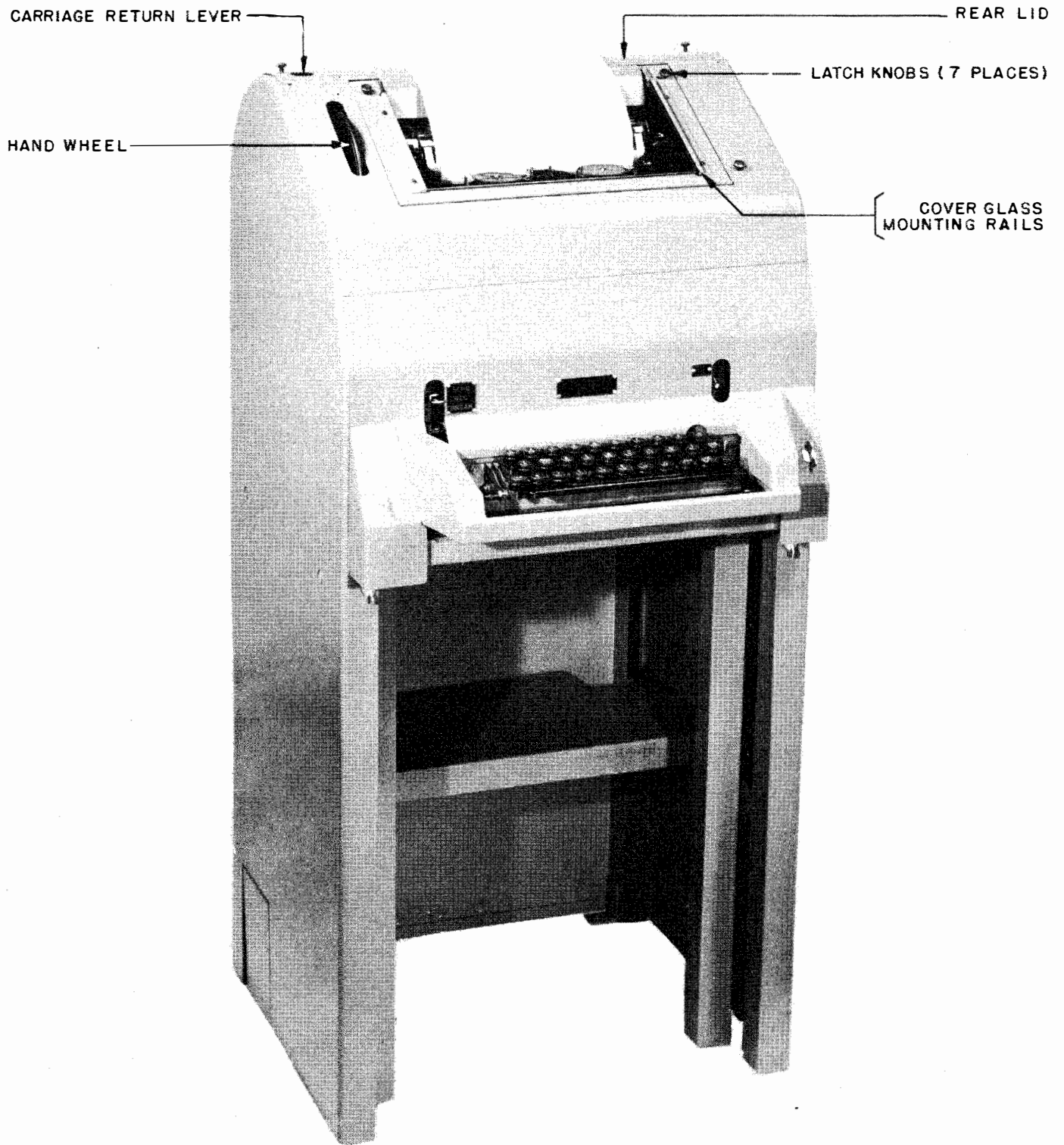


FIGURE 1

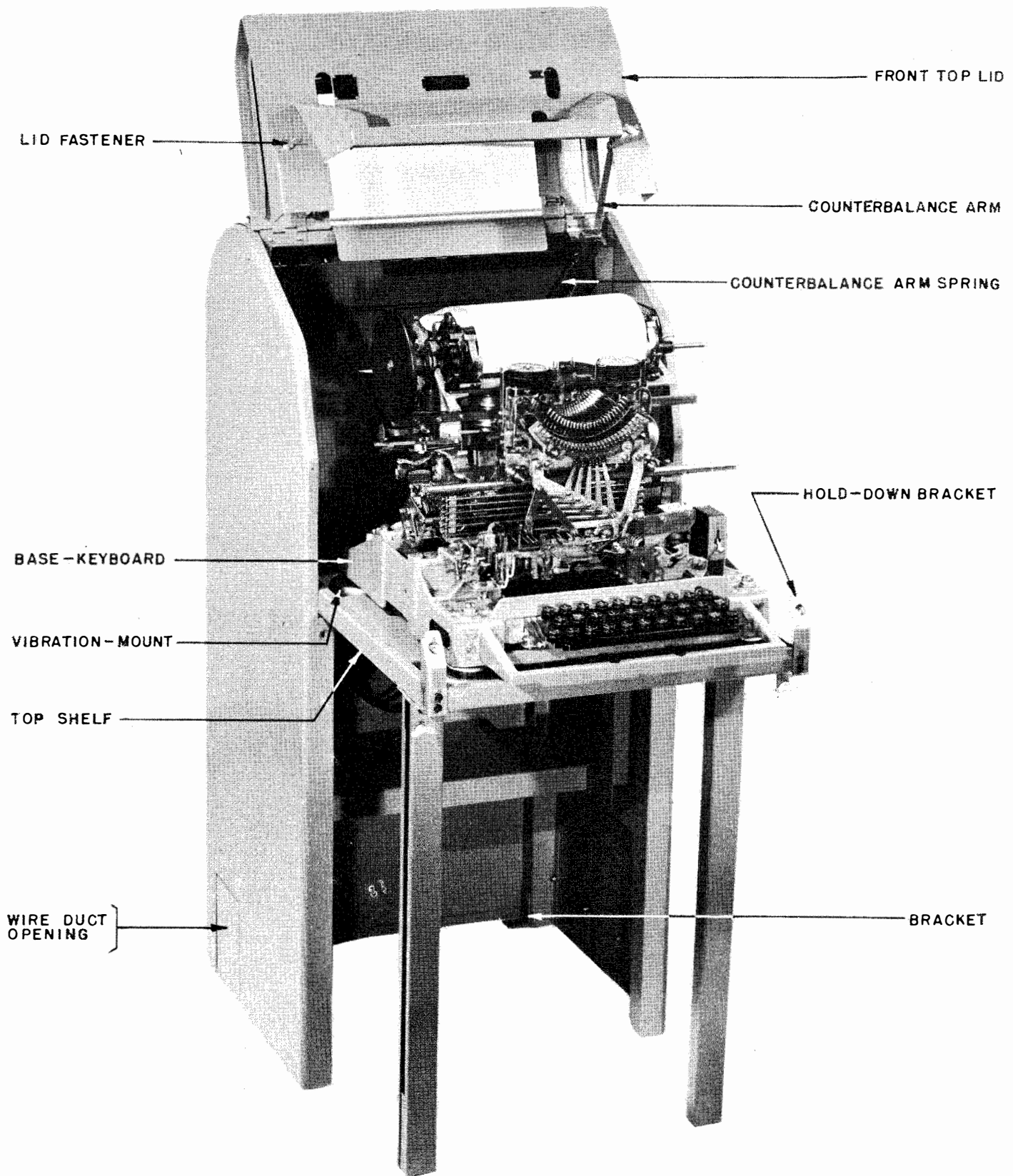
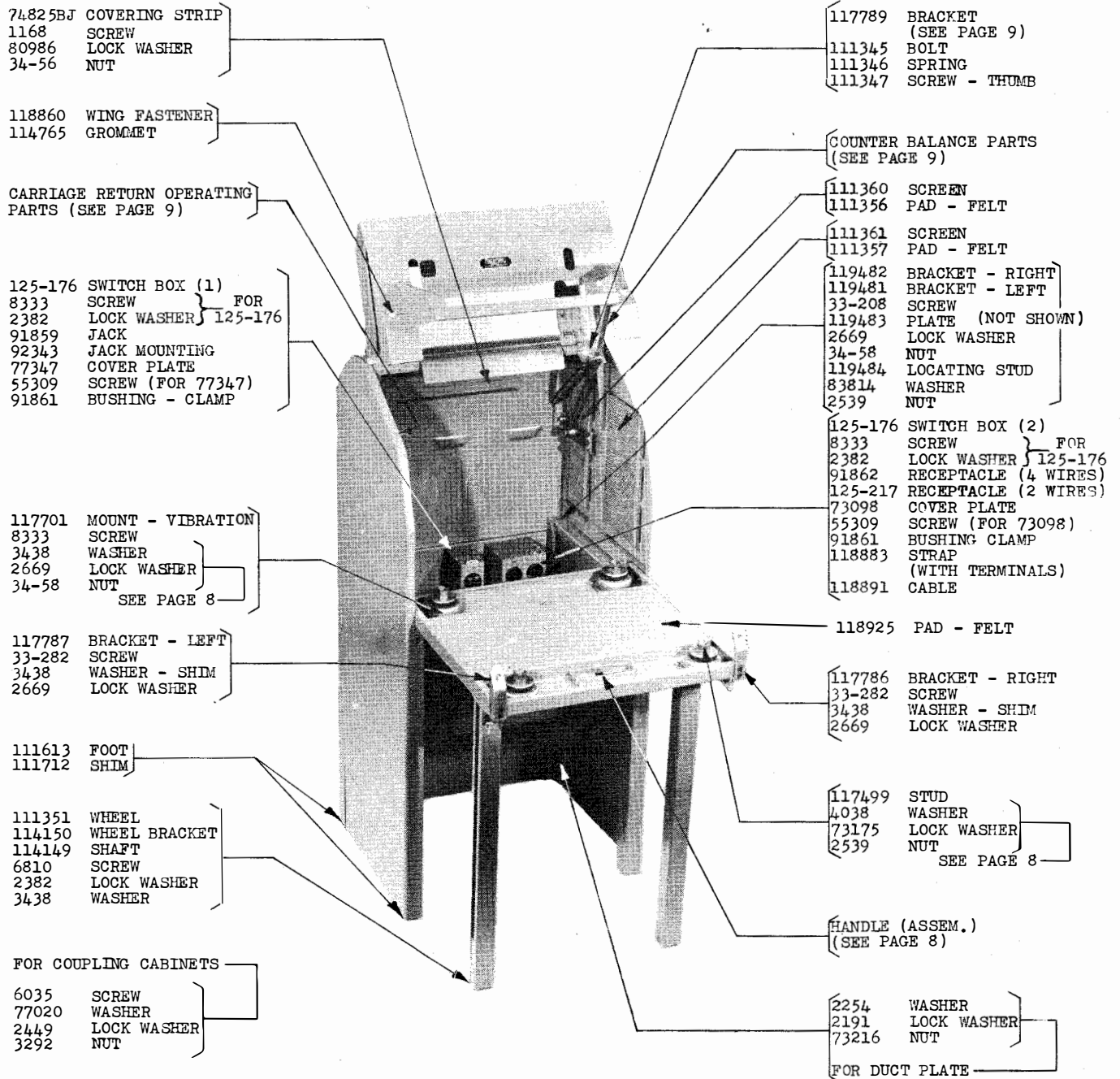
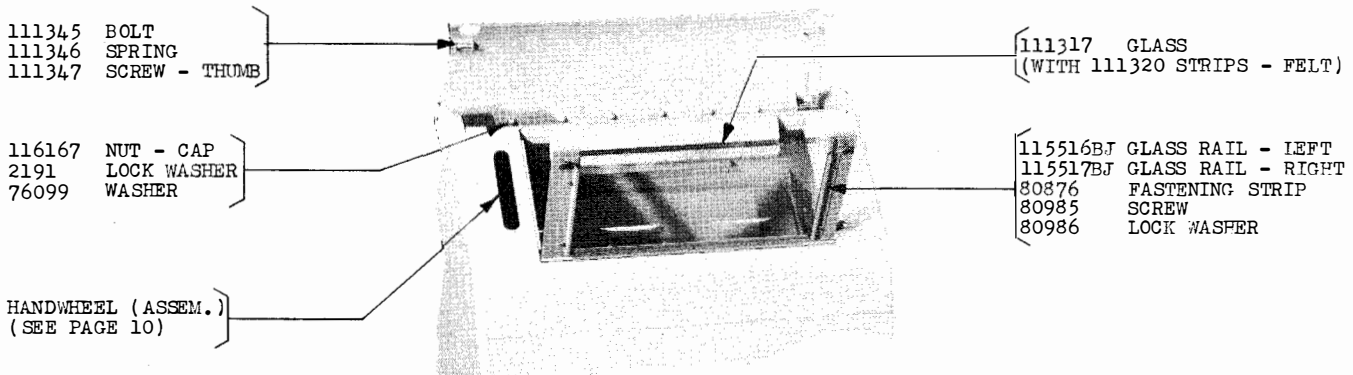
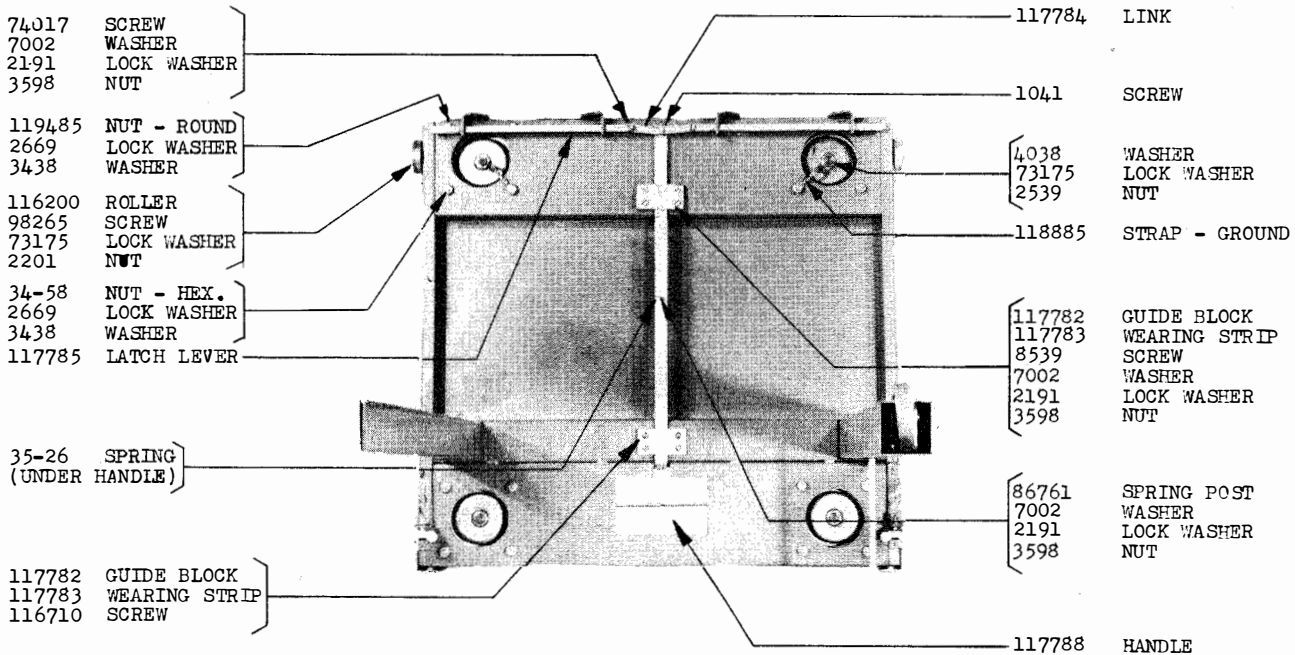


FIGURE 2

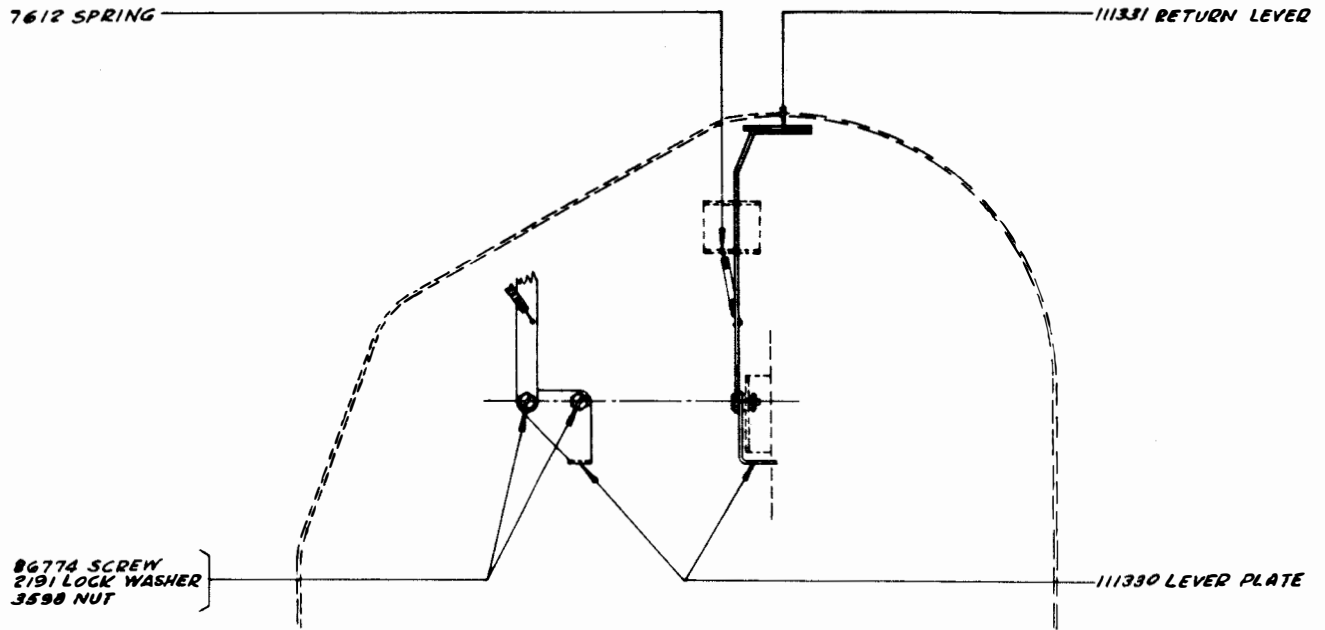




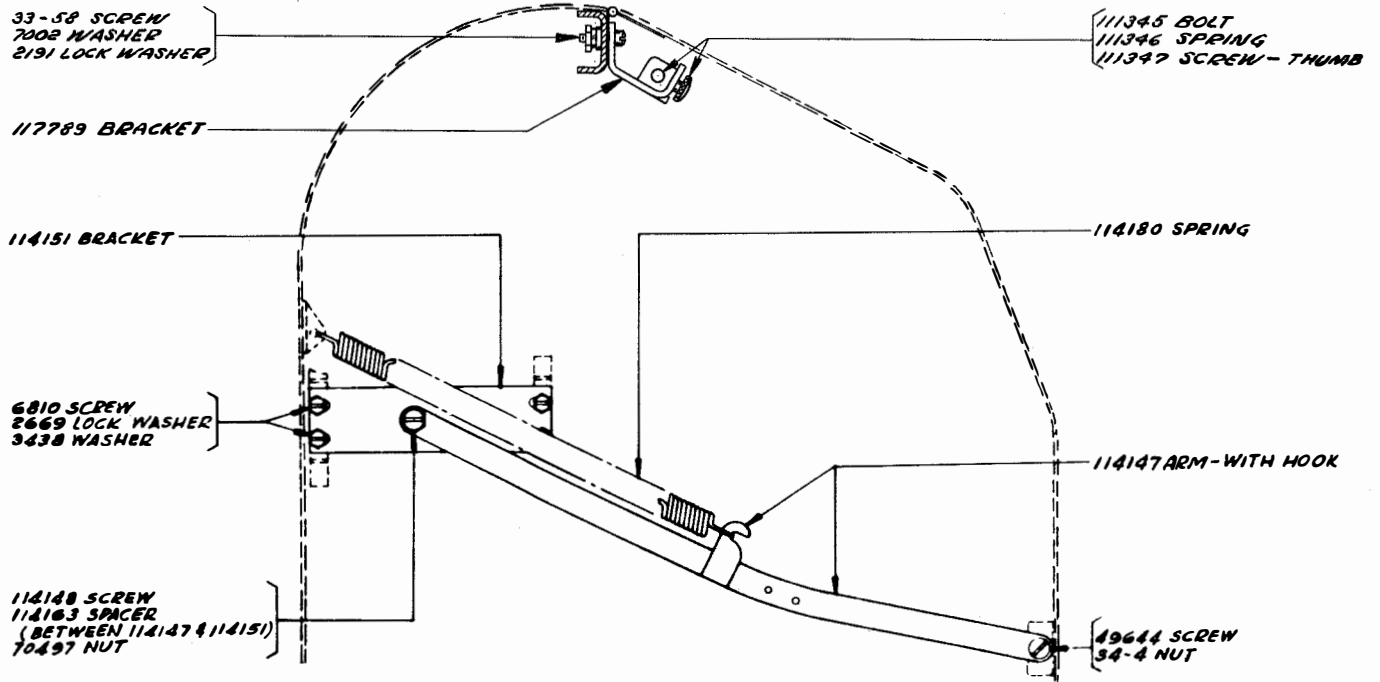
PARTIAL FRONT VIEW SHOWING UPPER PORTION
OF CABINET WITH LIDS IN OPEN POSITION



BOTTOM VIEW OF PRINTER SHELF
SHOWING HANDLE AND LATCHING LEVERS



CARRIAGE RETURN OPERATING PARTS
(LEFT SIDE OF CABINET)



CABINET LID COUNTERBALANCING PARTS
(RIGHT SIDE OF CABINET)

