

14 TYPING UNIT  
WIRING DIAGRAM

| CONTENTS   | PAGE | CONTENTS  | PAGE |
|--|------|---|------|
| 1. GENERAL .....   | 1    | Motor) .....  | 7    |
| 2. WIRING DIAGRAMS .....   | 2    | 14W Typing Unit (DC Shunt Motor)  | 8    |
| 14A, 14B, 14C, and 14D Typing<br>Units (Synchronous Motor) ..... | 2    | 14Y Typing Unit (AC Series<br>Motor) .....  | 8    |
| 14E and 14F Typing Units<br>(DC Motor Unit) .....                | 2    | 14AA Typing Unit (130-Volt<br>DC Motor Unit) .....  | 9    |
| 14G and 14H Typing Units<br>(AC Series Motor) .....              | 3    | 14AB and 14AF Typing Units<br>(Synchronous Motor) .....                                   | 9    |
| 14K Typing Unit (AC Series<br>Motor, Two-speed Governor) ....    | 3    | 14AD Typing Unit (DC Shunt<br>Motor) .....  | 10   |
| 14L Typing Unit (AC Series<br>Motor) .....                       | 4    | 14AE Typing Unit (Synchronous<br>Motor) .....   | 10   |
| 14M Typing Unit (Synchronous<br>Motor) .....                     | 4    | 14AS and 14AT Typing Units<br>AC Series Motor, Two-speed<br>Governor) .....               | 11   |
| 14N Typing Unit (DC Shunt<br>Motor) .....                        | 5    | 14AU, 14AW, 14AY, and 14BA<br>Typing Units (Synchronous<br>Motor) .....                   | 11   |
| 14P Typing Unit (AC Series<br>Motor) .....                       | 5    |   |      |
| 14R Typing Unit (Synchronous<br>Motor) .....                     | 6    | 1. GENERAL  |      |
| 14S Typing Unit (DC Shunt<br>Motor) .....                        | 6    | 1.01 This section shows the wiring diagrams<br>for the 14 typing units.                   |      |
| 14T Typing Unit (AC Series<br>Motor) .....                       | 7    | 1.02 Where wire colors are not specified, the<br>wires are black for all the units shown. |      |
| 14U Typing Unit (Synchronous                                     |      |   |      |

2. WIRING DIAGRAMS

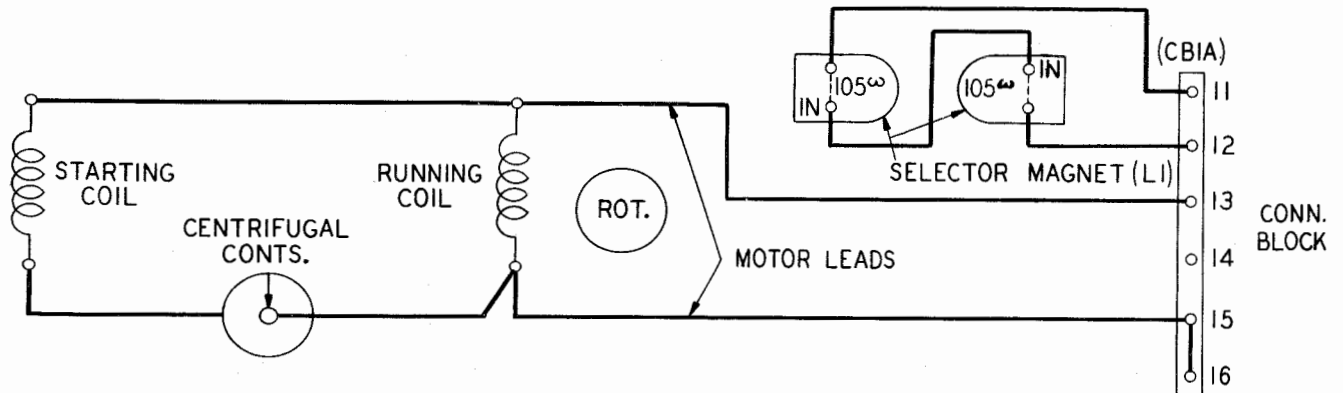


Figure 1 - 14A, 14B, 14C, and 14D Typing Units (Synchronous Motor)

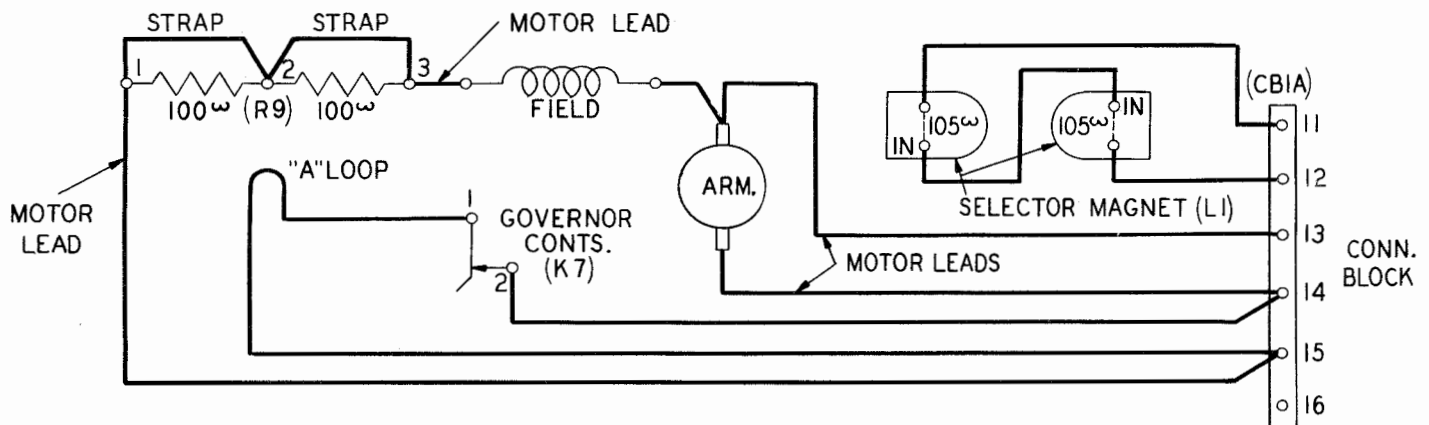


Figure 2 - 14E and 14F Typing Units (DC Motor Unit)

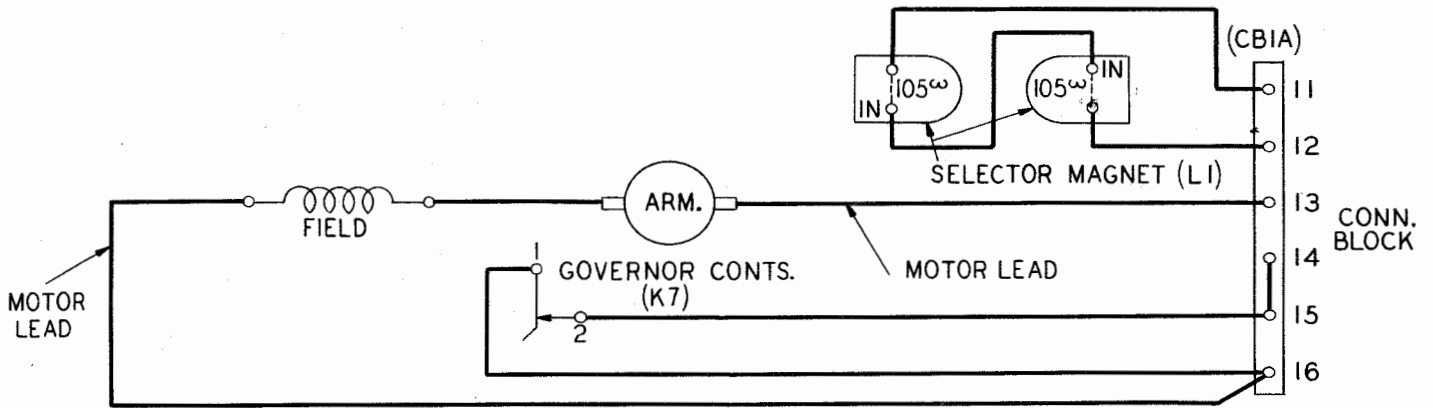


Figure 3 - 14G and 14H Typing Units (AC Series Motor)

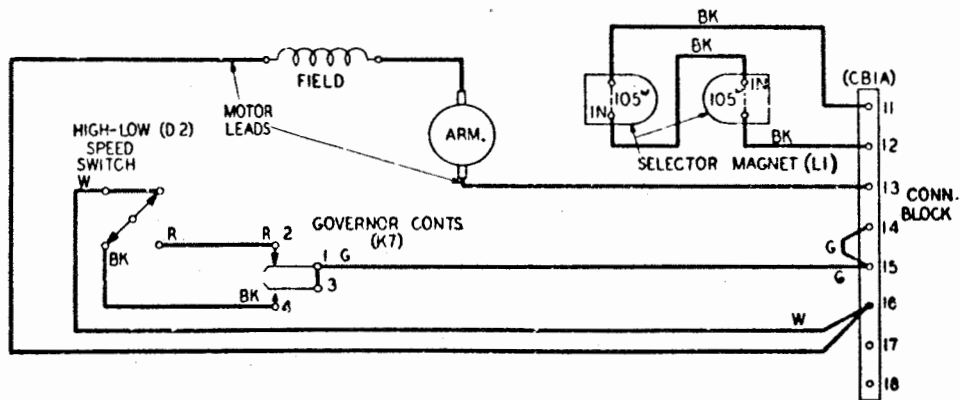


Figure 4 - 14K Typing Unit (AC Series Motor - Two-speed Governor)

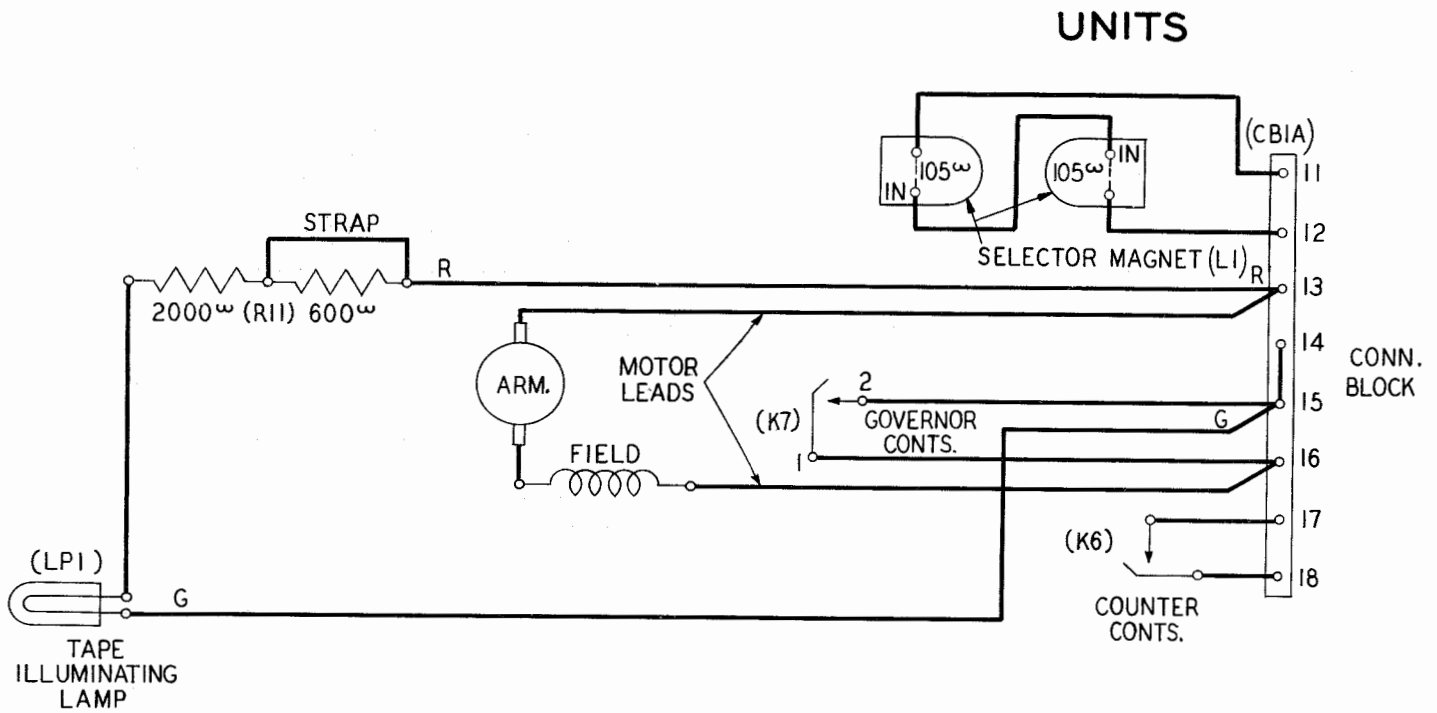


Figure 5 - 14L Typing Unit (AC Series Motor)

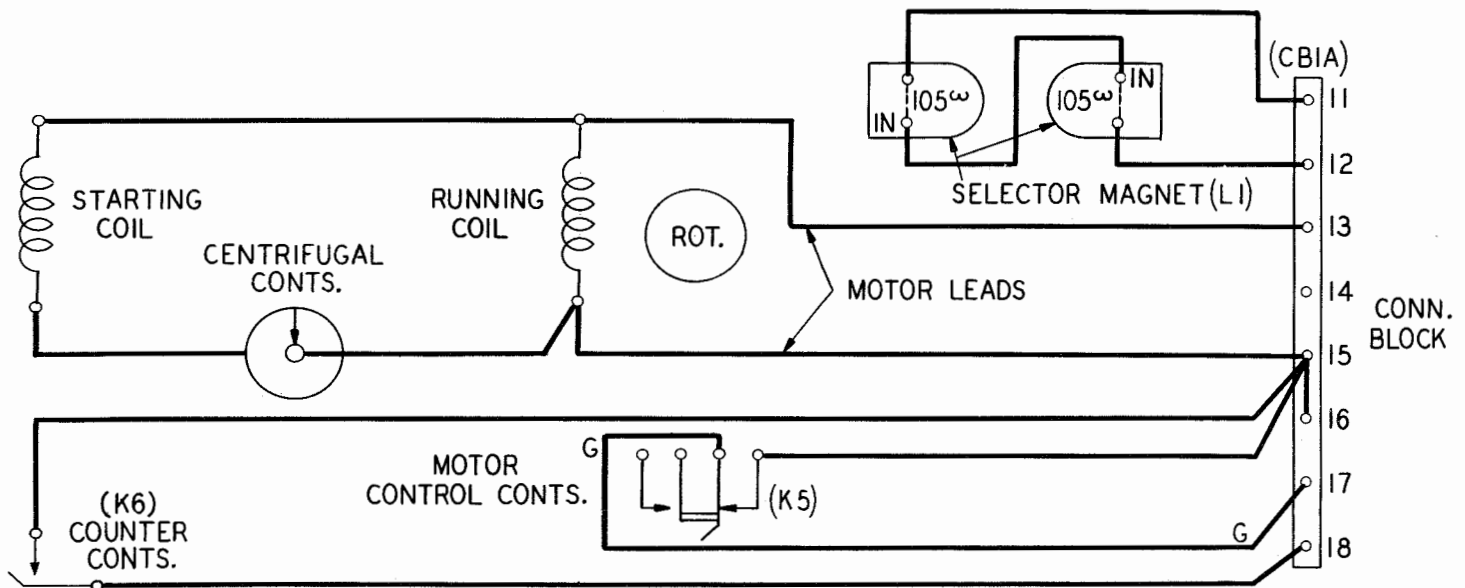


Figure 6 - 14M Typing Unit (Synchronous Motor)

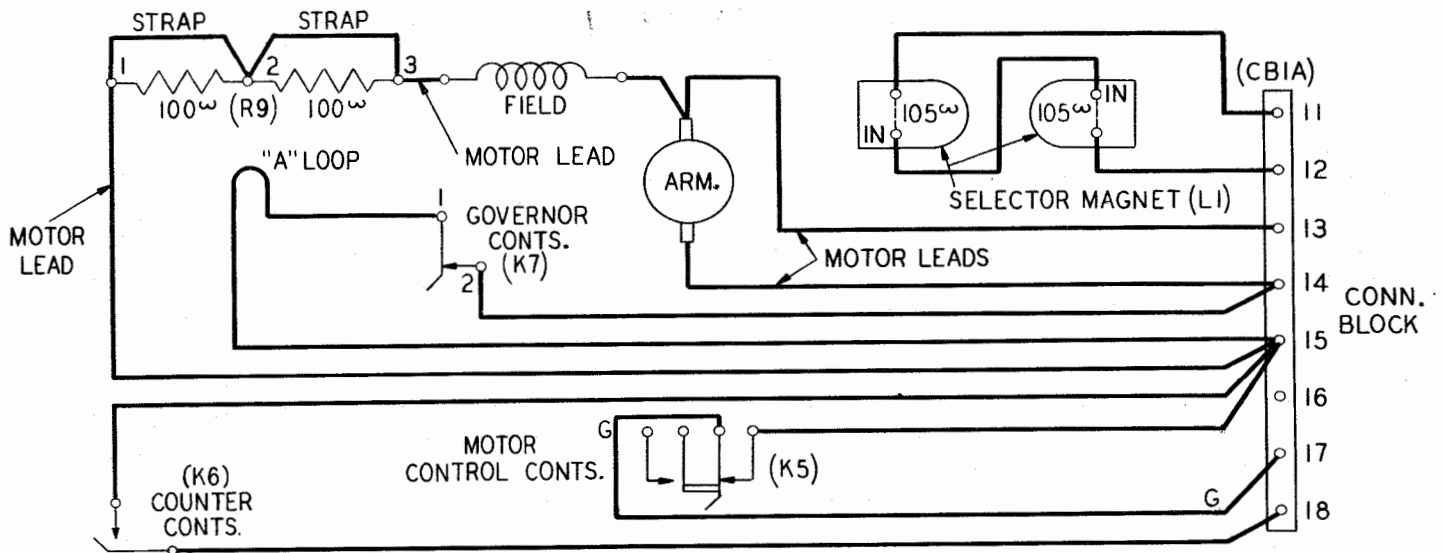


Figure 7 - 14N Typing Unit (DC Shunt Motor)

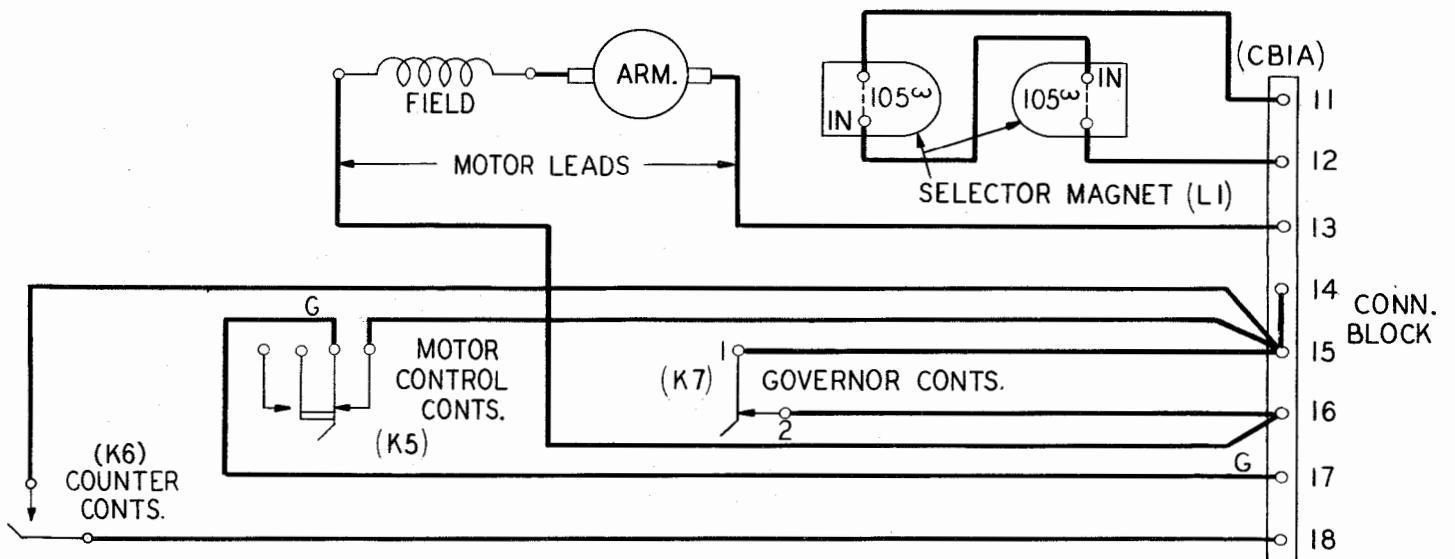


Figure 8 - 14P Typing Unit (AC Series Motor)

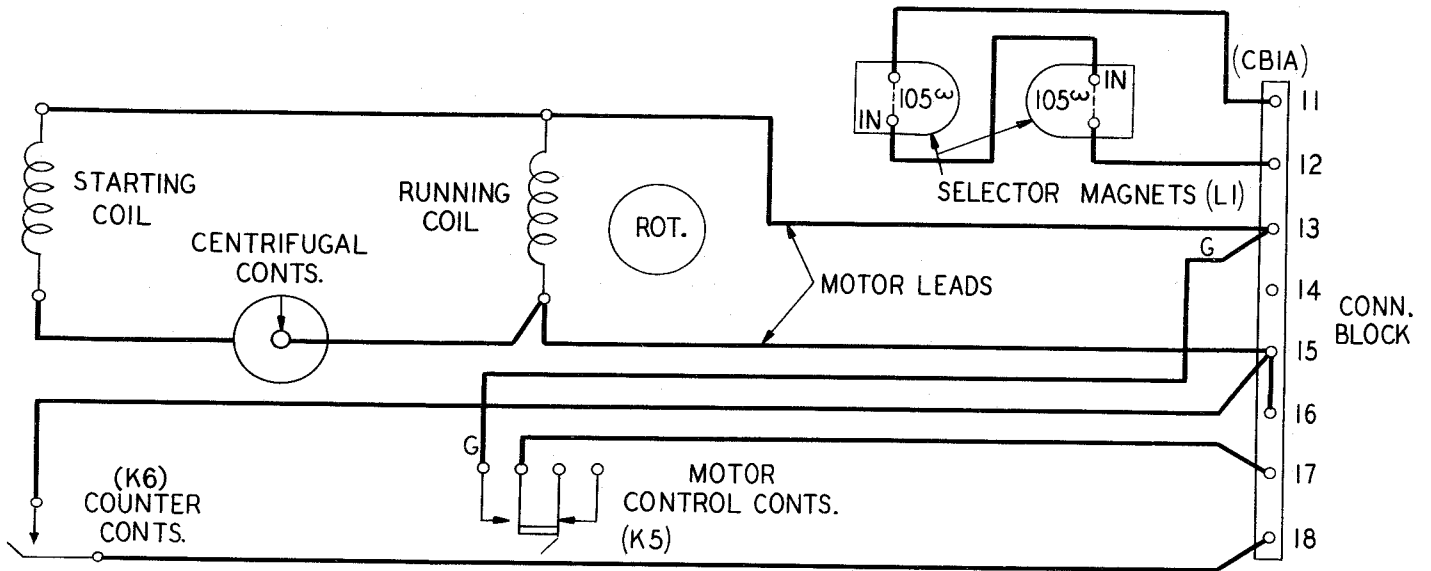


Figure 9 - 14R Typing Unit (Synchronous Motor)

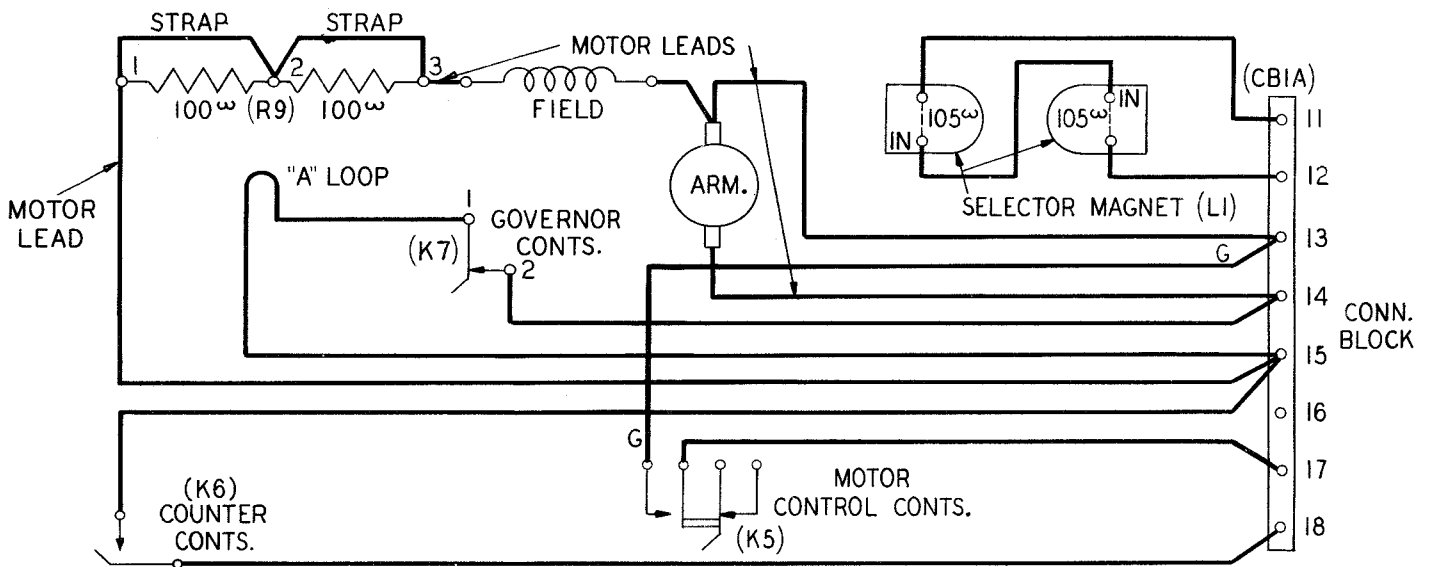


Figure 10 - 14S Typing Unit (DC Shunt Motor)

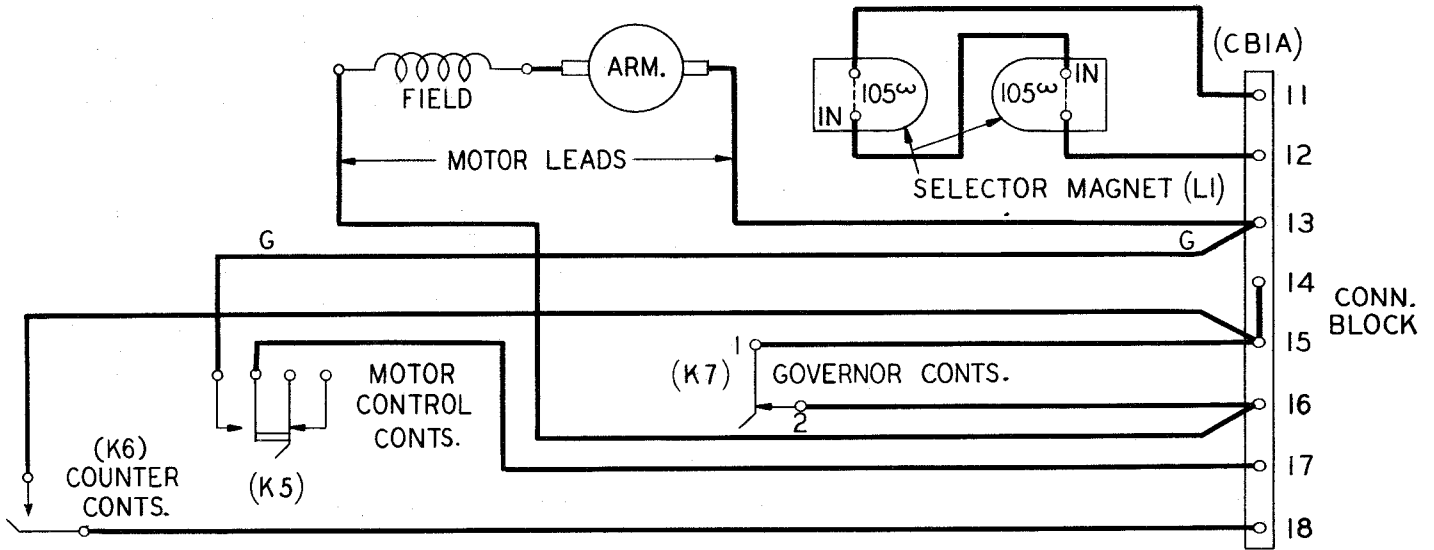


Figure 11 - 14T Typing Unit (AC Series Motor)

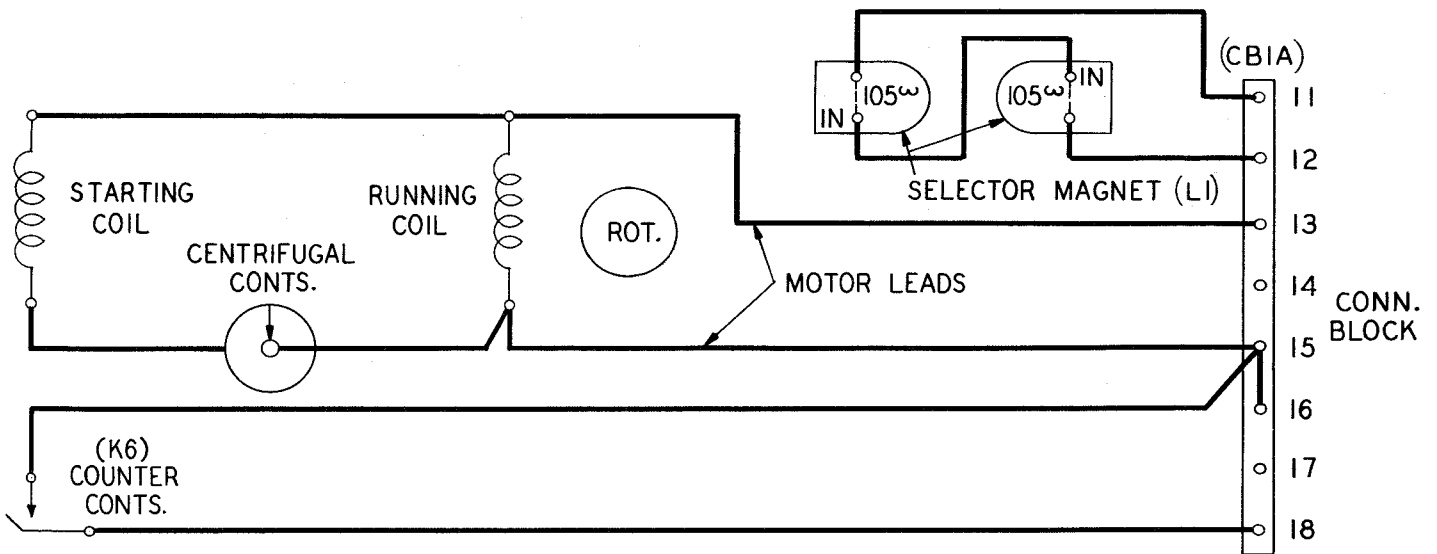


Figure 12 - 14U Typing Unit (Synchronous Motor)

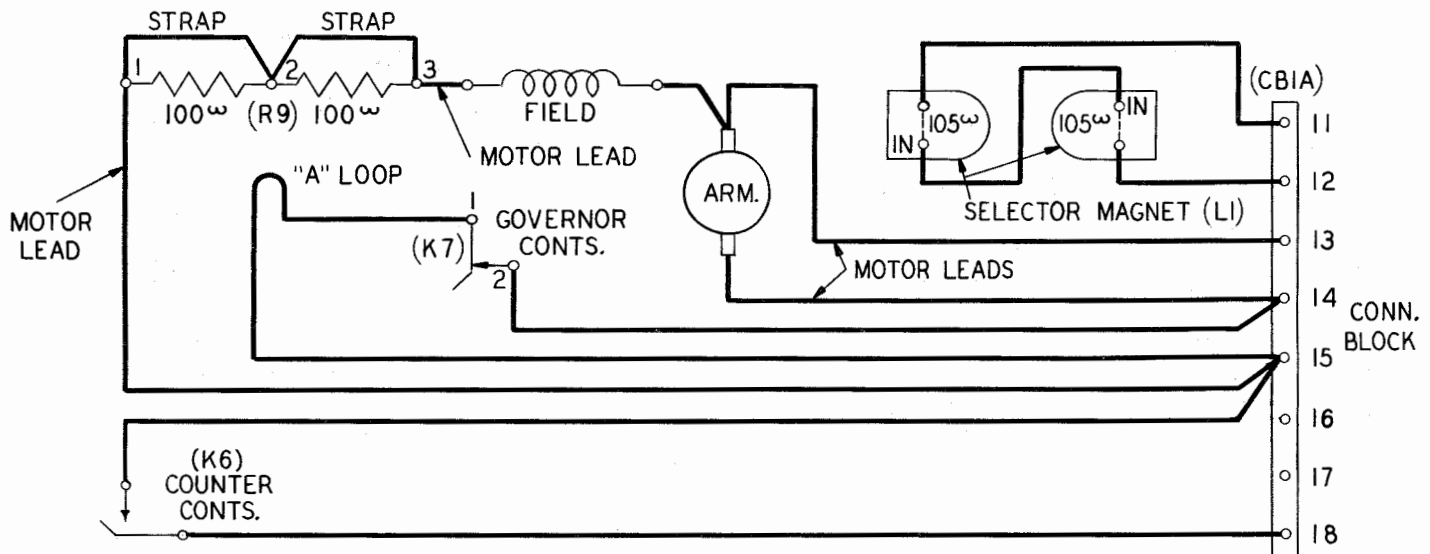


Figure 13 - 14W Typing Unit (DC Shunt Motor)

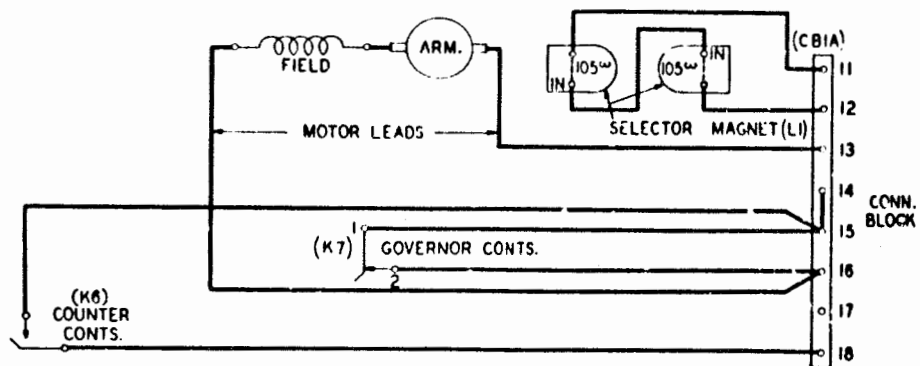


Figure 14 - 14Y Typing Unit (AC Series Motor)



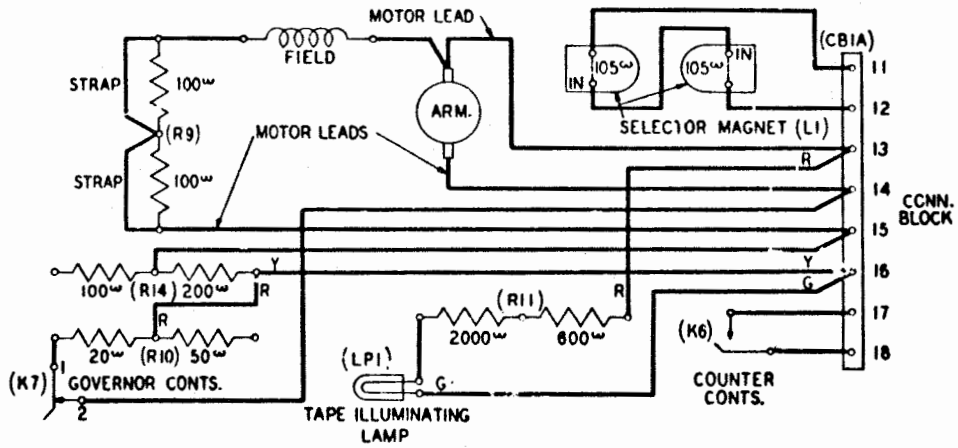


Figure 15 - 14AA Typing Unit (130-Volt DC Motor Unit)

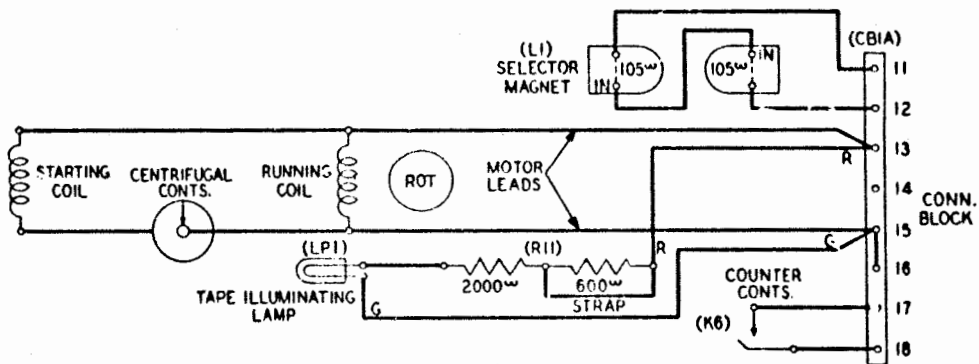


Figure 16 - 14AB and 14AF Typing Units (Synchronous Motor)

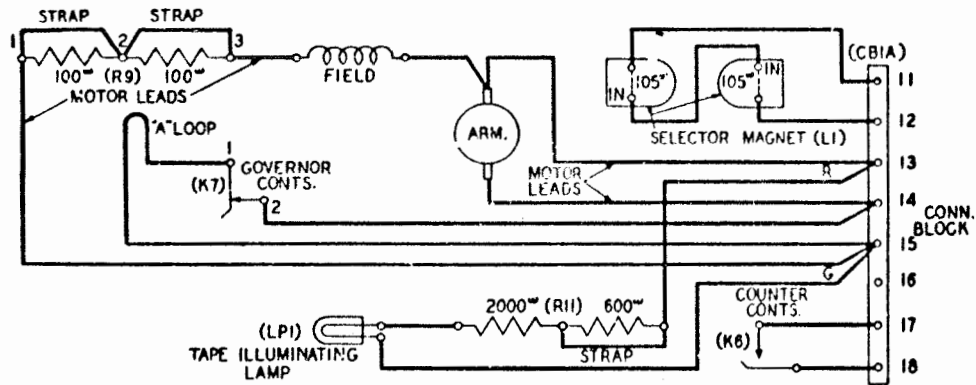


Figure 17 – 14AD Typing Unit (DC Shunt Motor)

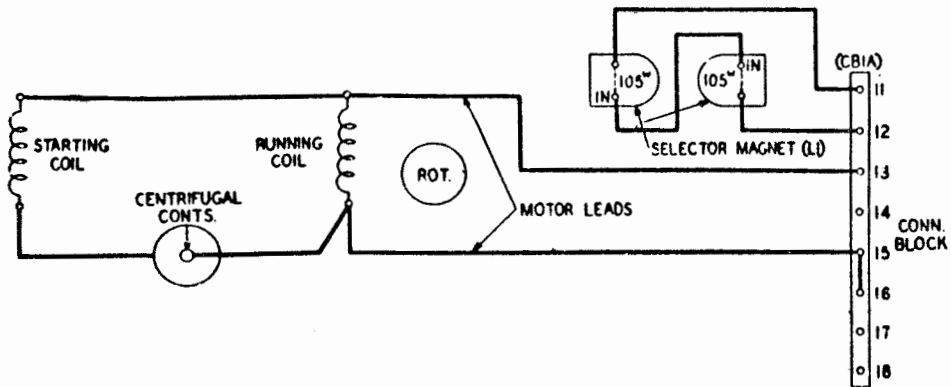


Figure 18 – 14AE Typing Unit (Synchronous Motor)

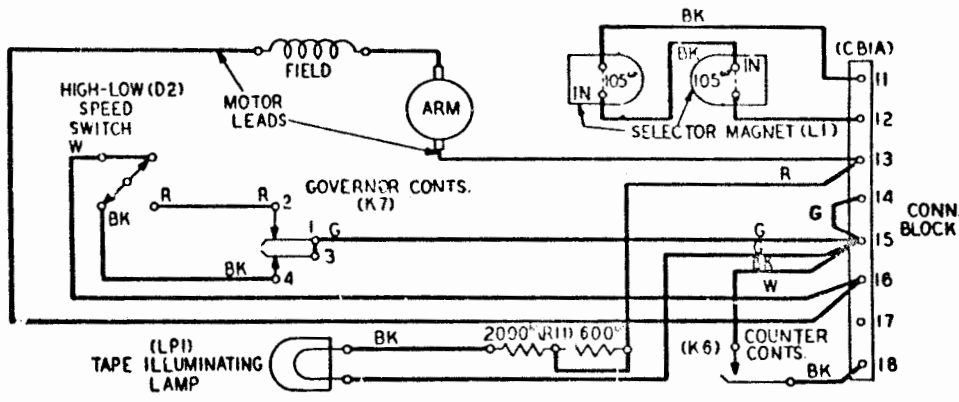


Figure 19 – 14AS and 14AT Typing Units (AC Series Motor Two-speed Governor)

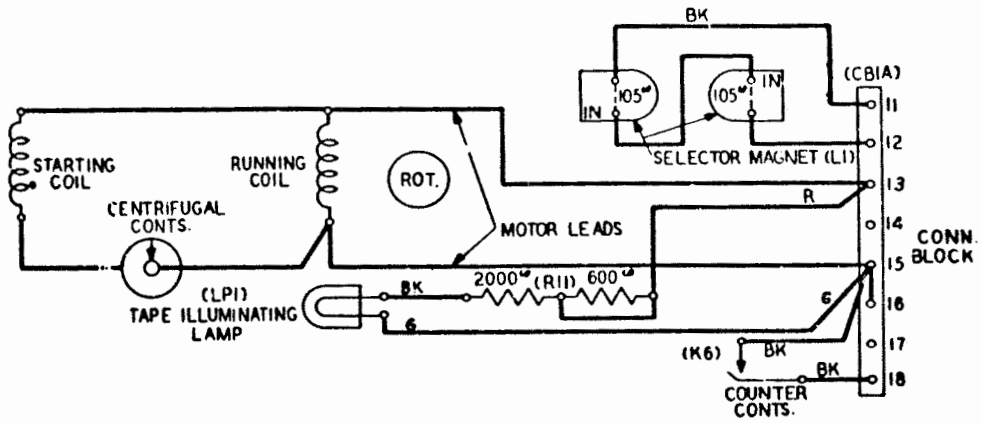


Figure 20 – 14AU, 14AW, 14AY, and 14BA Typing Units (Synchronous Motor)