

15 TELETYPEWRITER

WIRING DIAGRAM

1. GENERAL

1.01 This section shows the wiring for a typical 15 teletypewriter.

For the wiring diagrams of the basic units of the 15 teletypewriter, refer to the sections covering wiring diagrams for the 15 typing unit, 15 teletypewriter keyboard, 15 teletypewriter base, and 15 motor unit.

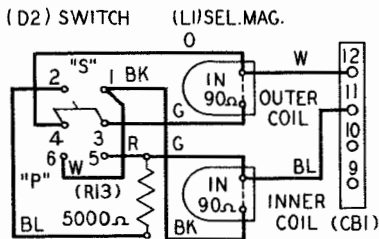


FIG. 8 (MFR. DISC.) TYPING UNIT SERIES - PARALLEL SWITCH

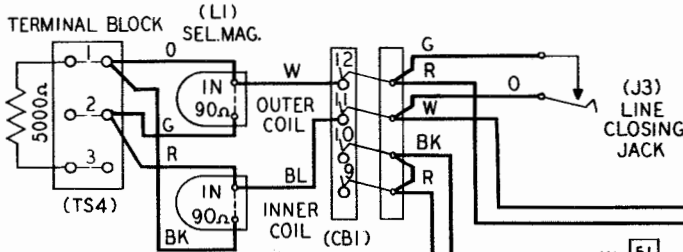


FIG. 7 - TYPING UNIT - MAGS. IN PARALLEL (.060 AMP. OPR.)

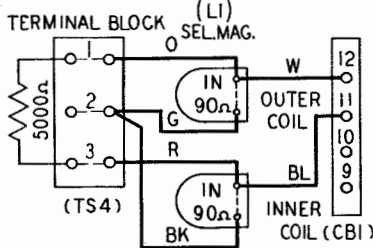


FIG. 6 - TYPING UNIT - MAGS. IN SERIES (.020 AMP. OPR.)

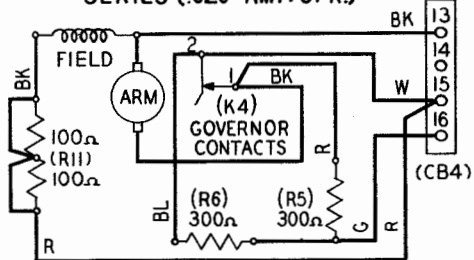


FIG. 4 - D.C. MOTOR UNIT

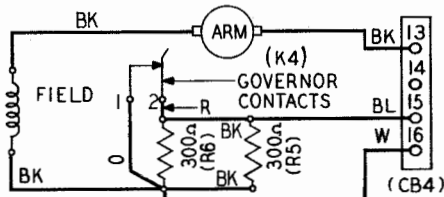


FIG. 3 - SERIES A.C. MOTOR UNIT

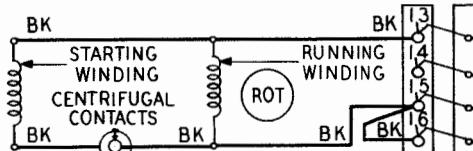


FIG. 2 - SYNCH. A.C. MOTOR UNIT (CB4)

NOTES:
1. ALL WIRES WITH COLOR SHOWN ARE ARTSILK COVERED DELTABESTON; 16 GA. FOR MOTOR LEADS; 18 GA. FOR ALL OTHERS.

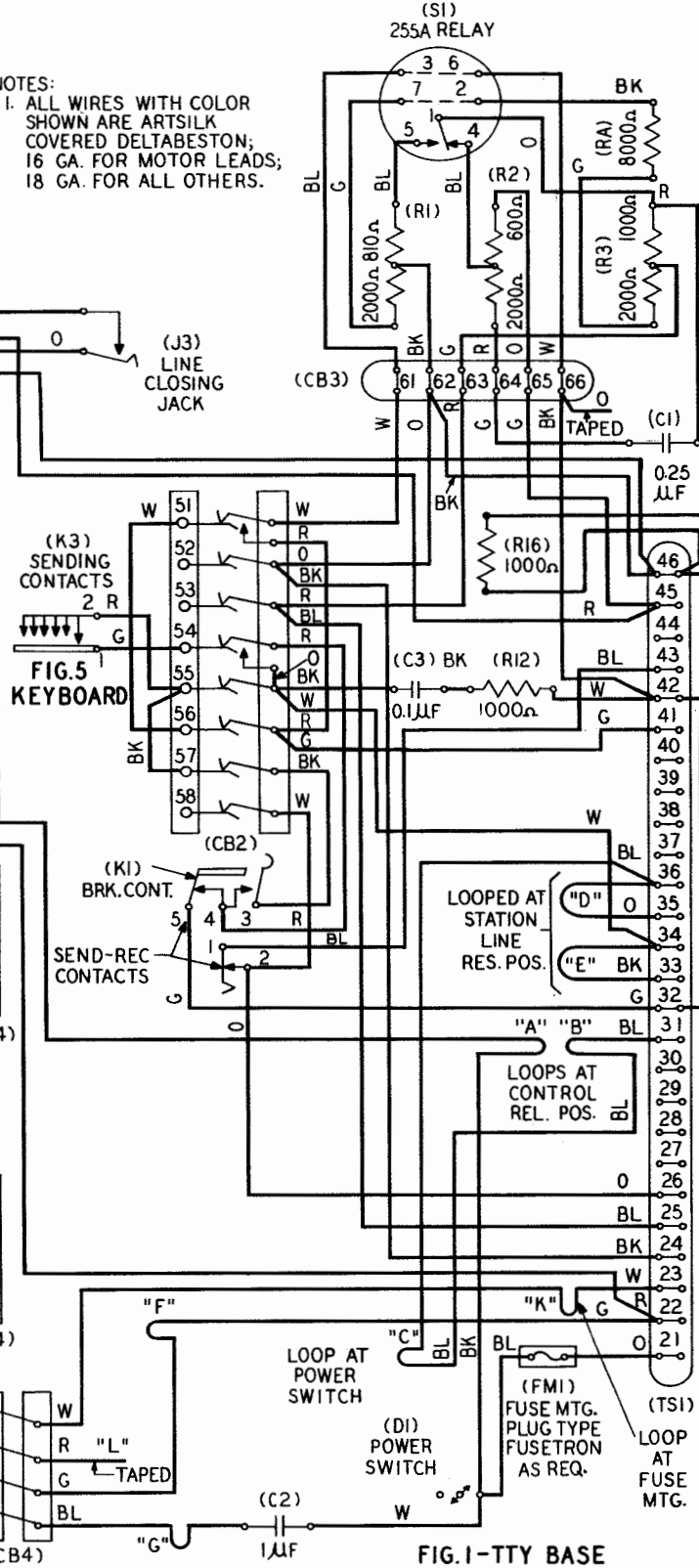
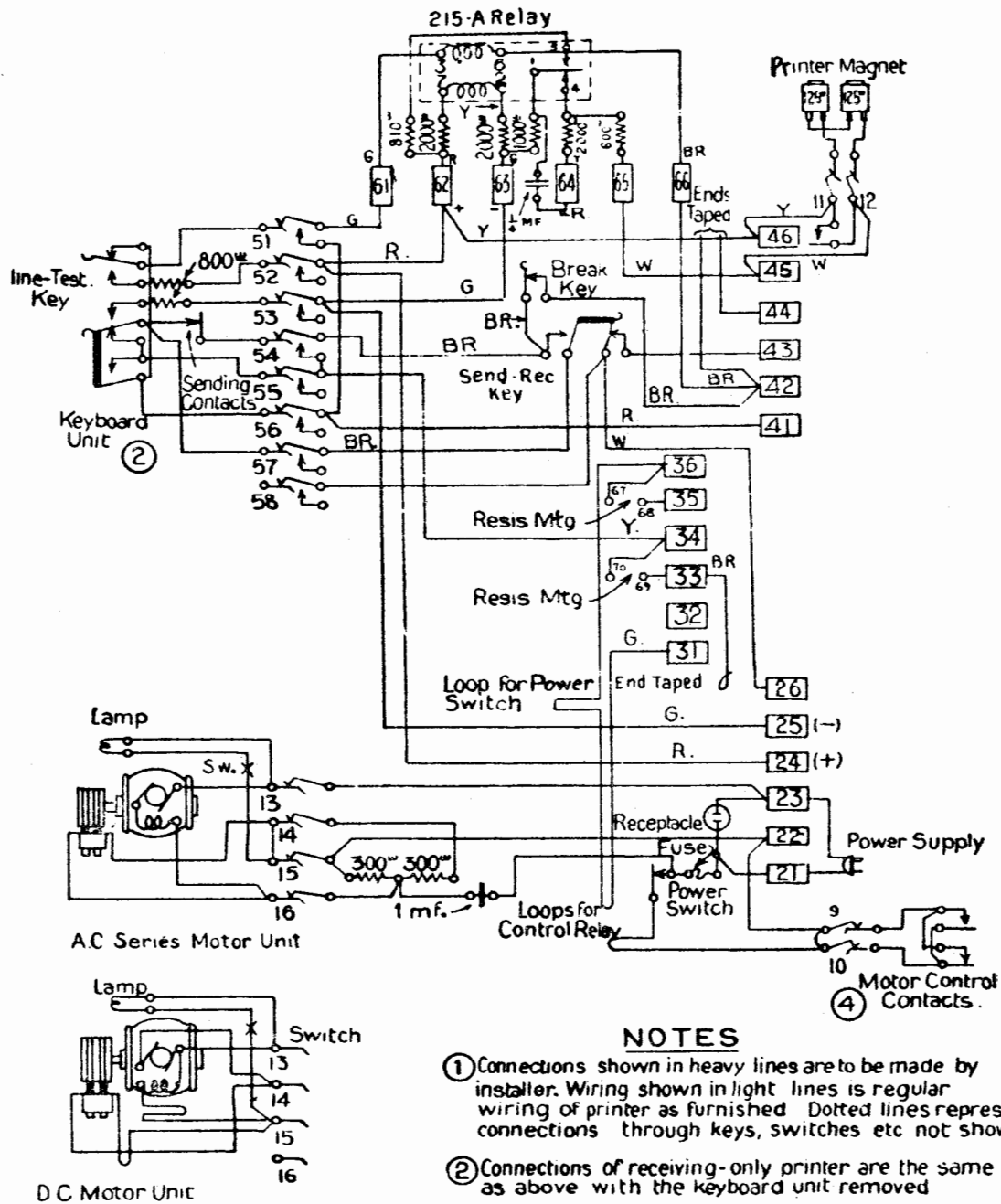


FIG. 1 - TTY BASE

Figure 2 - 15 Teletypewriter - Holding Magnet Type (Typical Circuit)



NOTES

- ① Connections shown in heavy lines are to be made by installer. Wiring shown in light lines is regular wiring of printer as furnished. Dotted lines represent connections through keys, switches etc not shown.
- ② Connections of receiving-only printer are the same as above with the keyboard unit removed
- ③ Key to colorcode. - W=White, R=Red, G=Green
BR=Brown, Y=Yellow, all others Black
- ④ When Motor control contacts are used, the strap between terminals 9 and 10 should be removed and the power switch should be shorted

Figure 3 — Wiring of Sending-receiving Teletypewriter as Formerly Furnished (To Indicate Particularly Send-recv Break Key Wiring)