

15 TYPING UNIT  
WIRING DIAGRAM

1. GENERAL

1.01 This section shows the wiring for the 15 typing unit.

1.02 With the 15U, 15W, 15Y, 15AA, 15AB, and 15AD typing units the magnet coils are arranged for operation either in series or parallel, as covered by the following notes:

Note 1: For operation in a local circuit from a line relay use parallel connection.

Note 2: For operation without a line relay use parallel connection when line current is 0.060 ampere and series connection when line current is 0.020 ampere.

Note 3: If unit is equipped with series-parallel switch, clamp the switch handle when finally positioned.

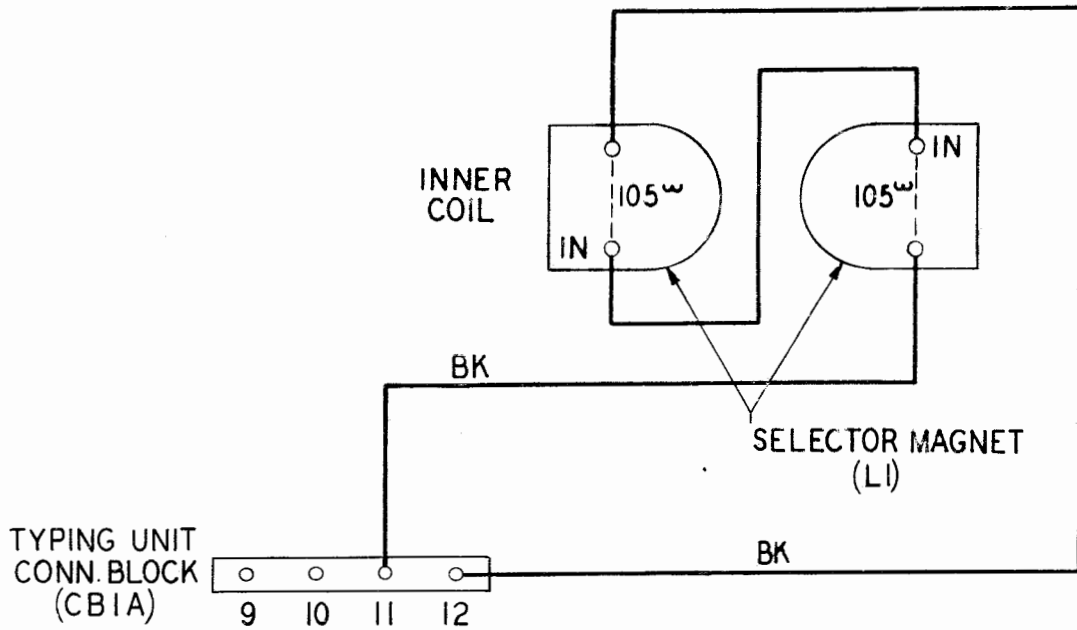


Figure 1 — 15A, 15C, 15E, 15G, 15R, 15S, and 15T Typing Units

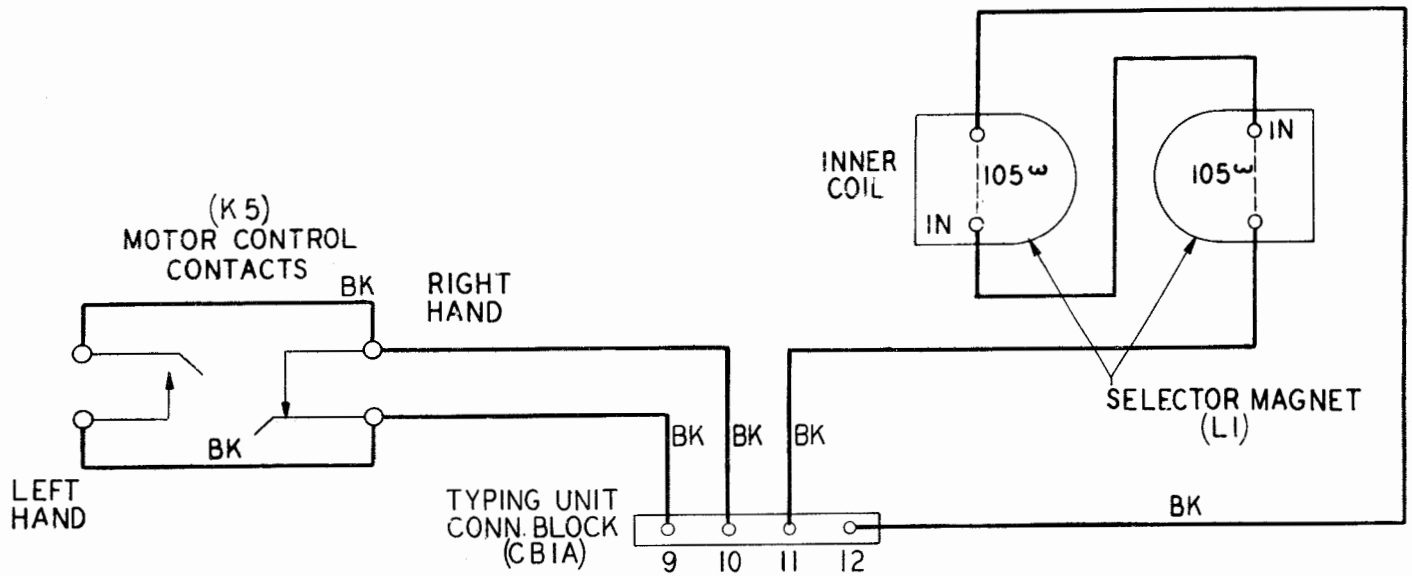


Figure 2 — 15B, 15D, 15F, 15H, 15K, 15M, 15N, and 15P Typing Units

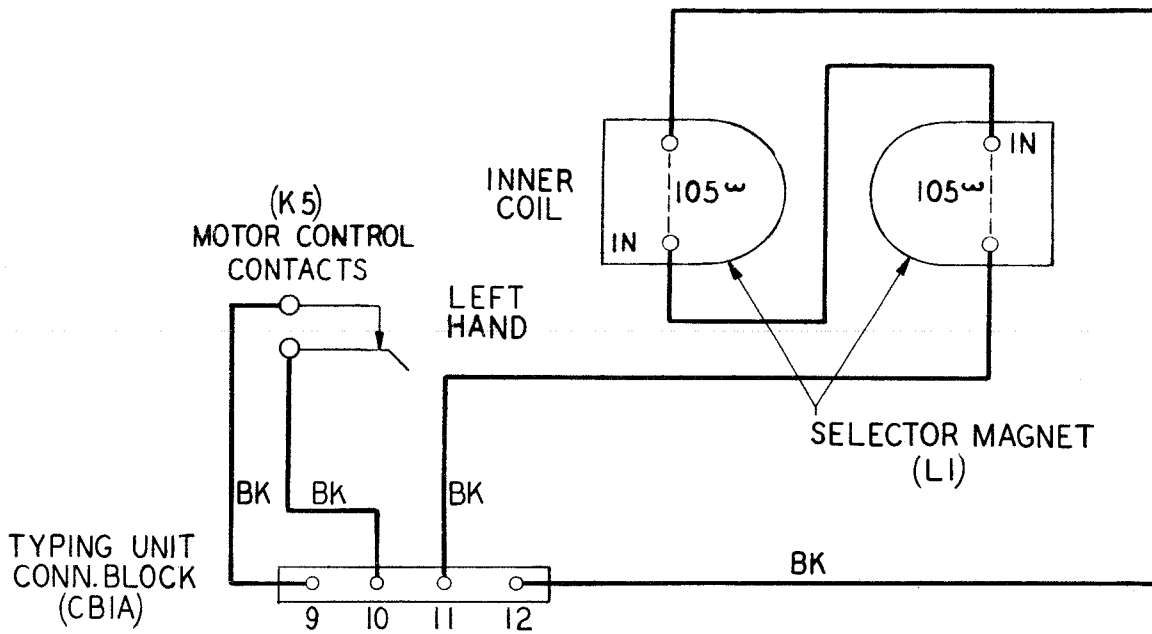


Figure 3 - 15J and 15L Typing Units

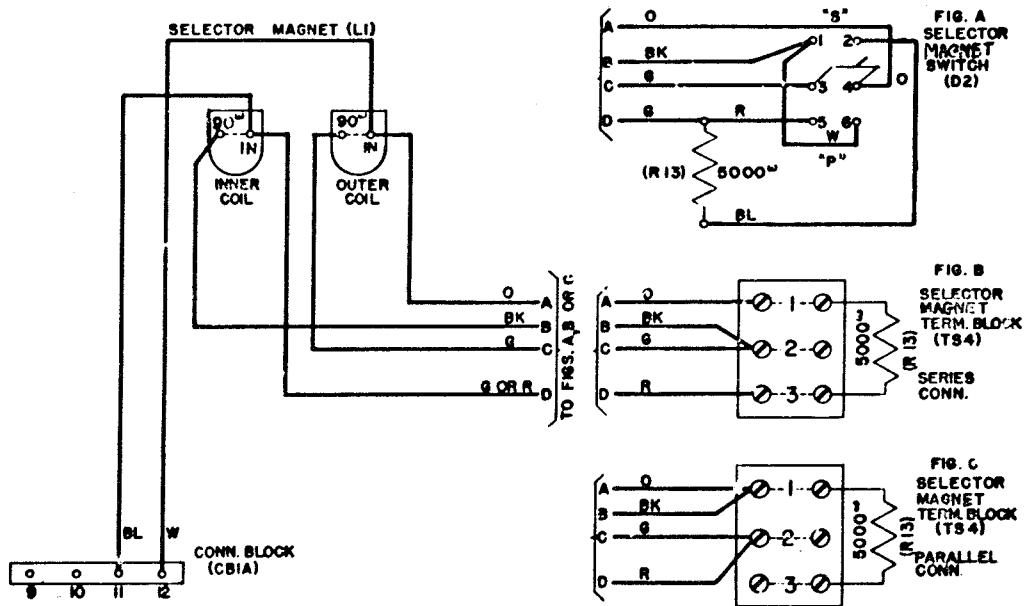


Figure 4 - 15U, 15W, 15Y, 15AA, 15AE, 15AF, 15AG, and 15AH Typing Units

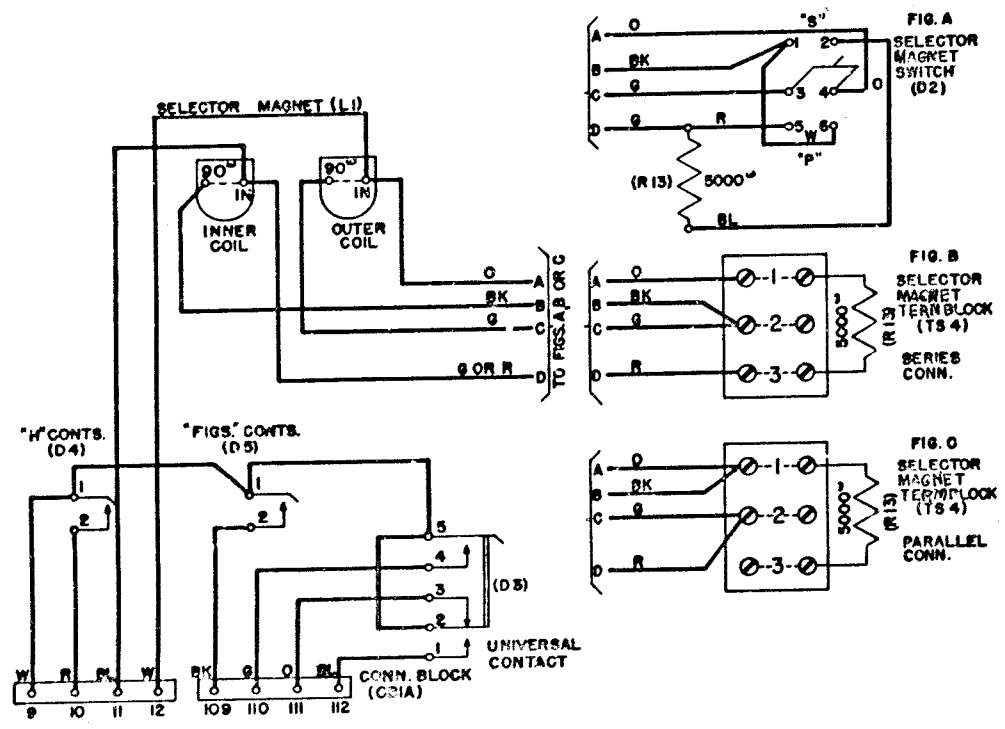


Figure 5 - 15AB and 15AD Typing Units

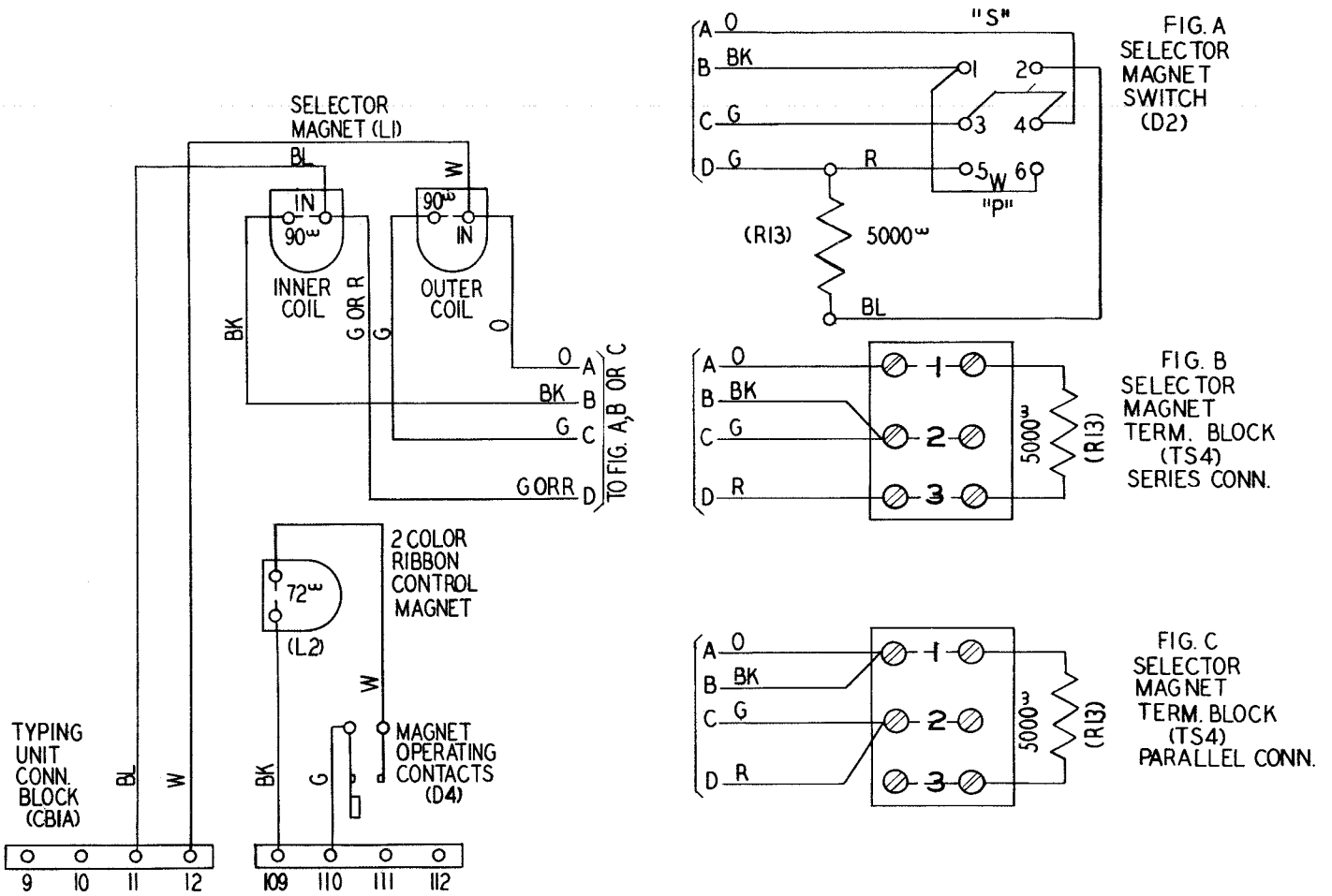


Figure 6 — 15AK Typing Unit