

15 TELETYPEWRITER KEYBOARD

LUBRICATION

CONTENTS	PAGE
1. GENERAL	1
2. PARTS TO BE LUBRICATED.....	1
Keyboard - bottom view	4
Keyboard - front view.....	3
Keyboard - left side view	2
3. PARTS TO BE LUBRICATED NOT SHOWN IN ILLUSTRATIONS	4
Lubrication of under side of keyboard	4
Lubrication of upper side of keyboard	4

1. GENERAL

1.01 This section contains the lubrication procedures for the 15 keyboard. This section and the section covering teletypewriter general lubrication provide the complete lubrication information for maintenance of the 15 keyboard.

1.02 The lubrication symbols used in this section are the same as those in the general lubrication section. However the symbol (OFC) has been added in this section and means oil fill cup.

1.03 The illustrations in this section show the keyboard and associated units but the lubrication symbols are associated only with the keyboard. Points to be lubricated that are not shown in the illustrations are listed in 3. of this section.

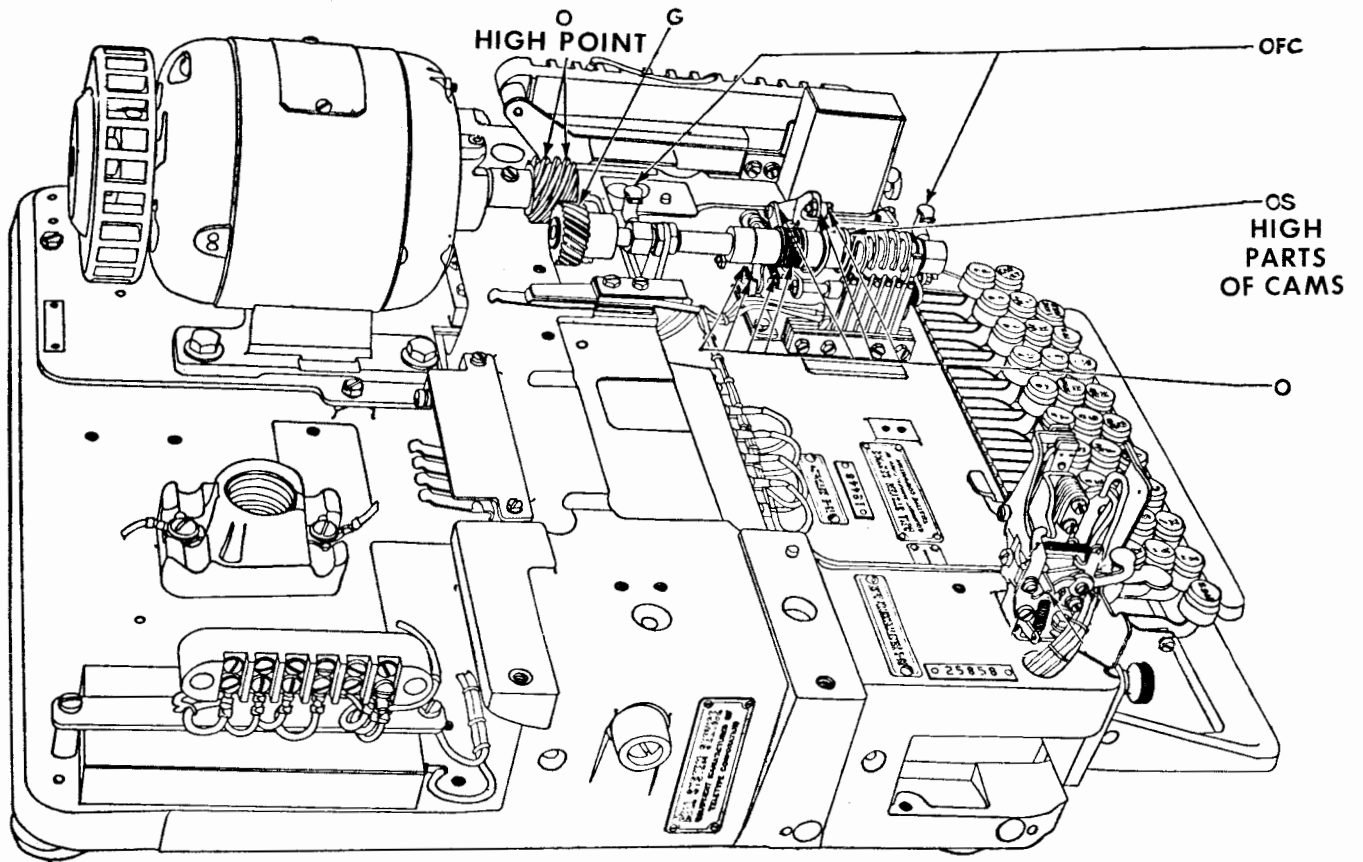
1.04 Because of the varying conditions at each station, the 15 teletypewriter keyboard should be lubricated as often as specified by local instructions.

2. PARTS TO BE LUBRICATED

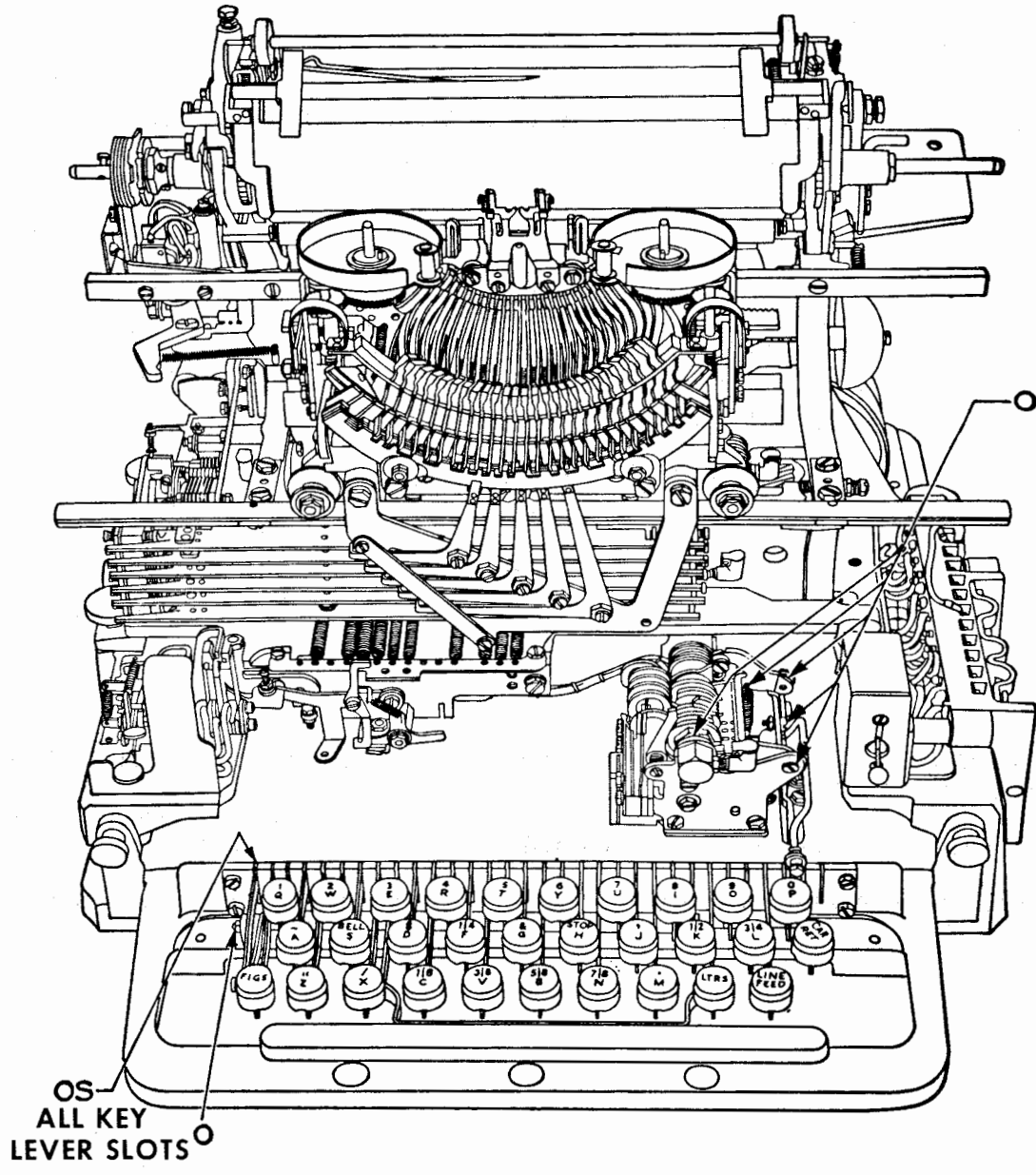
Note 1: Oil both loops of all helical springs that exert a nominal tension of less than 2-1/2 pounds.

Note 2: Grease both loops of all helical springs that exert a nominal tension of 2-1/2 pounds or more.

2.01 Keyboard - Left side view

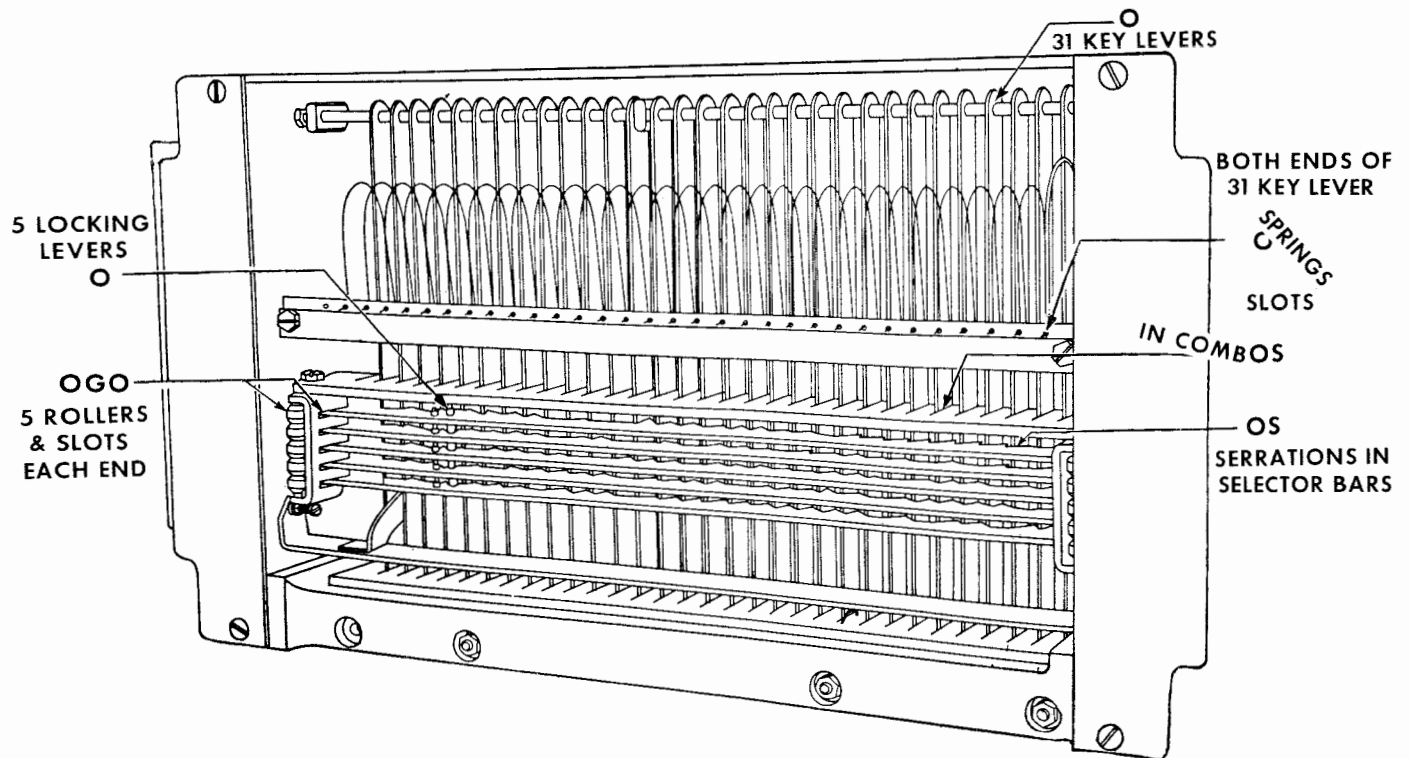


2.02 Keyboard - Front View



SECTION 572-203-701

2.03 Keyboard - Bottom View



3. PARTS TO BE LUBRICATED NOT SHOWN IN ILLUSTRATIONS.

3.01 Lubrication of Under Side of Keyboard:

O - Universal-bar pilot-screw bearings.

3.02 Lubrication of Upper Side of Keyboard:

(1) O - Contact-lever pivoting shaft and guiding comb.

(2) O - Repeat space rod at each end.